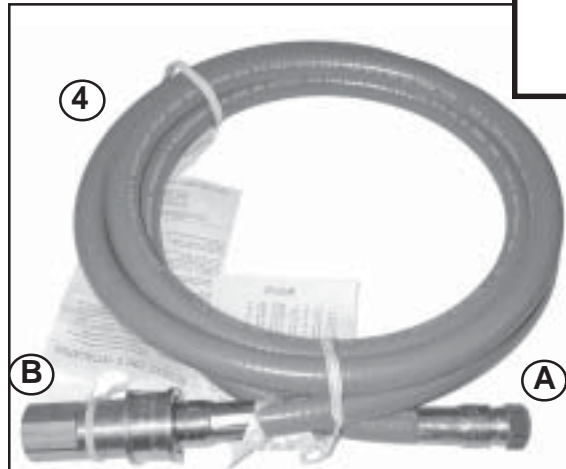
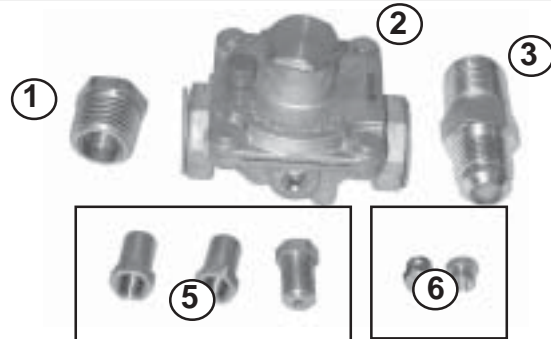


# AMERICAN OUTDOOR GRILL

## CK-1 & CK-2 PORTABLE BARBECUE GAS CONVERSION KIT\*



**PARTS LIST**

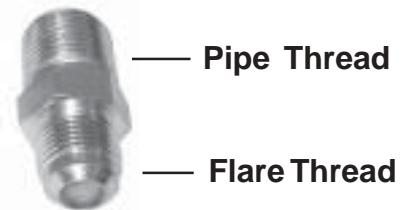


(NOT TO SCALE)

ITEM No.	PARTS DESCRIPTION
1.	Reducer bushing
2.	Convertible regulator
3.	1/2" adaptor * NOT INCLUDED IN CK-2
4.	Natural gas hose with quick connect fitting * NOT INCLUDED IN CK-2
5.	3 x #46 Main burner orifices
6.	1 x #53 Sideburner orifice 1 x #54 Backburner orifice

\* May also be used for bulk L.P systems.  
See page 2 for method

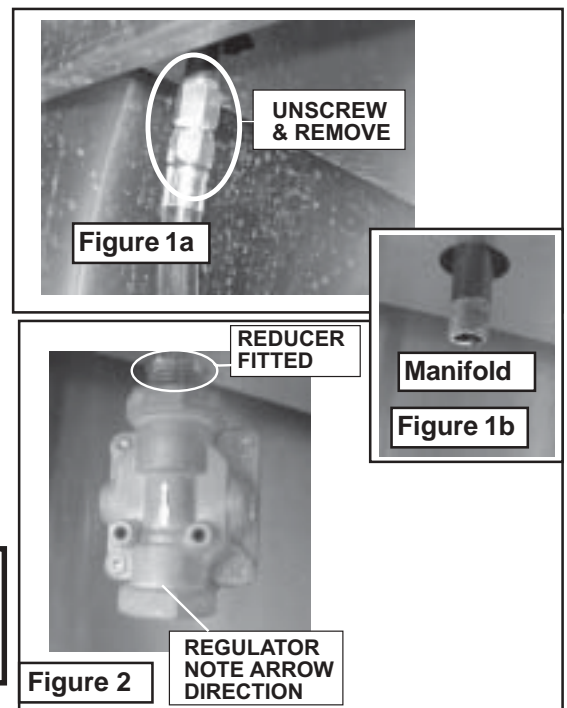
**For reference**  
Item 3 - 1/2" pipe to 1/2" flare adaptor



**IMPORTANT : READ THIS DOCUMENT CAREFULLY BEFORE STARTING INSTALLATION**  
**CAUTION: IF BARBECUE IS ALREADY IN USE, ALLOW ALL SURFACES TO COOL BEFORE ATTEMPTING TO CONVERT TO A NEW GAS TYPE**

To convert the AOG barbecue **from LP to natural** gas follow the steps below:

- Step 1.** Completely shut off (close) the L.P tank.
- Step 2.** Remove L.P. tank, regulator, hose and adaptor fitting from manifold located inside cabinet enclosure. (see Figure 1a & 1b).
- Step 3.** Replace orifices in the barbecue, using Item 5 for main burners (2 for 24" unit , 3 for 36" unit), Item 6 (#53) for side burner and Item 6 (#54) for the backburner, referring to the Instruction manual ("Checking your Barbecue") supplied with your barbecue for method.
- Step 4.** Attach reducer bushing (Item 1) and regulator (Item 2) to manifold (see Figure 2). **NOTE:** The arrow (located on the regulator) **MUST** point in the direction of gas flow (to the barbecue). Use pipe sealant compound resistant to all gases on **ALL** male pipe threads.



**IMPORTANT:**  
**If you are installing a CK-2 ignore Step 5 through 9.**  
Attach approved hose to the flare fitting on the adaptor and L.P. tank.

# PORTABLE BARBECUE NATURAL GAS CONVERSION KIT

## Installation continued

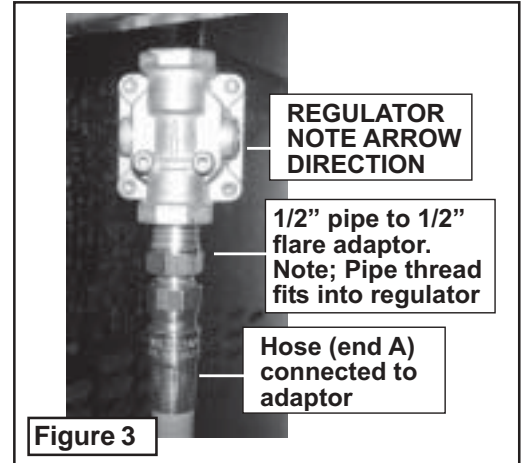
### - FOR CK-1 INSTALLATION ONLY -

**Step 5.** Attach the 1/2" pipe to 1/2" flare adaptor (Item 3, Parts List) to the regulator (pipe fitting goes into regulator).

**Step 6.** Insert the hose (Item 4, end A) in through the hole at the lower rear corner of the cabinet. Ensure the black grommet is in place to prevent damage to the hose. The quick connector end (Item 4, end B) should remain outside the cabinet.

**Step 7.** Connect hose end A to the flare fitting on the adaptor (Item 3) inside the cabinet (see Figure 3).

**Step 8.** Install the quick connect (hose end B) to the gas supply. Use pipe sealant compound resistant to all gases on ALL male pipe threads.



**Figure 3**

**Step 9.** Attach the gas hose to the quick connect. Check all connections for leaks using soapy water.

### IF YOU ARE CONNECTING TO A BULK L.P SUPPLY

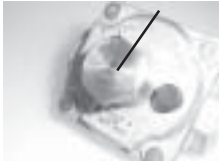
**Method:**

- a) Follow steps 1 and 2 above.
- b) Ignore step 3. **DO NOT change the orifices.** Use the original L.P. orifices supplied with the barbecue when it was purchased. If unsure consult the barbecue Owners manual ("Checking your Barbecue") for information on how to check which orifices are currently installed, and which are suitable.
- c) Follow step 4 to 8 above.
- d) **The regulator must be converted for L.P gas (see below).**
- e) Follow step 9 above.

### CHECKING OR CHANGING THE SETTING OF YOUR BARBECUE REGULATOR FROM NATURAL TO PROPANE (L.P.) GAS OR FROM L.P. TO NATURAL GAS

BARBECUE REGULATOR.  
**NOTE: THE CAP ON TOP**

**NOTE: EACH END OF THE PLASTIC CONVERTER IS ENGRAVED WITH EITHER THE LETTERS "NAT" OR "L.P." FOR THE RESPECTIVE GASES. WHEN THE CONVERTER IS IN THE CAP AND THE CAP HELD UPPERMOST THE LETTERS SEEN INDICATE THE GAS THAT THE REGULATOR IS SET UP FOR.**



#### TO CONVERT THE REGULATOR FROM ONE GAS TO ANOTHER FOLLOW STEPS 1-4



**STEP 1:**  
UNSCREW AND REMOVE THE CAP FROM THE REGULATOR, EXTRACTING THE CONVERTER

**READ GAS TYPE HERE**



**STEP 3:**  
TURN THE CONVERTER AROUND AND REPLACE CAREFULLY INTO THE CENTER OF THE CAP (IT WILL SNAP INTO PLACE) CHECK THAT YOU CAN READ TYPE OF GAS UNIT IS SET FOR.



**STEP 2:**  
REMOVE THE CONVERTER (THE PLASTIC STALK) BY CAREFULLY PULLING IT AWAY FROM THE CENTER OF THE CAP (IT WILL SNAP OUT OF ITS SEATING).



**STEP 4:**  
REPLACE THE UNIT INTO THE REGULATOR AND SCREW DOWN UNTIL SNUG

#### FOR YOUR SAFETY IF YOU SMELL GAS:

1. Shut off the gas to the appliance.
2. Extinguish any open flame.
3. Open oven hood/lid.
4. If odor continues, immediately call your gas supplier or Fire Department.

#### FOR YOUR SAFETY

1. Do not store or use gasoline or other flammable vapors and liquids in the vicinity of this or any other appliance.
2. A Propane cylinder not connected for use shall not be stored in the vicinity of this or any other appliance.