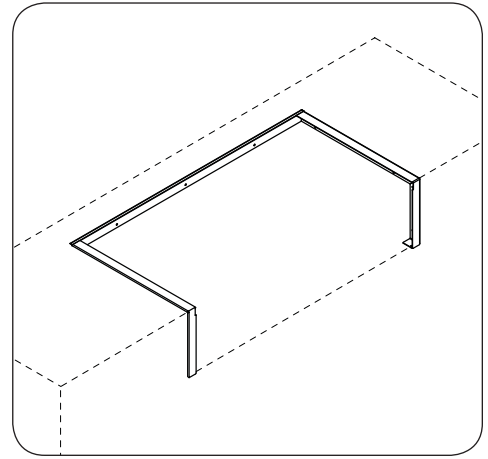




ADAPTER KIT

Model #AD-5

INSTALLER: Leave these instructions with consumer.
CONSUMER: Retain for future reference.



This adapter kit allows for installation of an A.O.G. 36" built-in grill, into an existing island cutout from your previous grill. To install the adapter kit, follow the steps below:

1. Remove protective coating off of the rear and side pieces of the adapter. **DO NOT** use a sharp object to remove coating.
 2. Remove old grill.
 3. Align the rear piece of the adapter into the rear of the cutout. Assuring it is centered and flush with the top of the countertop/cutout; mark the three screw holes.
 4. Set the rear piece aside and drill the pilot holes.
 5. Using screws appropriate for your island material (not included); realign the rear piece and fasten.
 6. Align a side piece of the adapter into the corresponding side of the cutout. Assuring it is flush with the top and front of the countertop/cutout; mark the four screw holes.
- Note:** The adapter kit is designed so that the side pieces interlock into the rear piece (see Fig. 1-2). However, if your cutout is slightly larger (in width and/or depth); this may not occur during installation, and is acceptable.
7. Set the side piece aside and drill the pilot holes.
 8. Using screws appropriate for your island material (not included); realign the side piece and fasten.
 9. Repeat steps 6 - 8 for the opposite side piece.
 10. Refer to the instructions provided with your A.O.G. 36" grill for its installation.

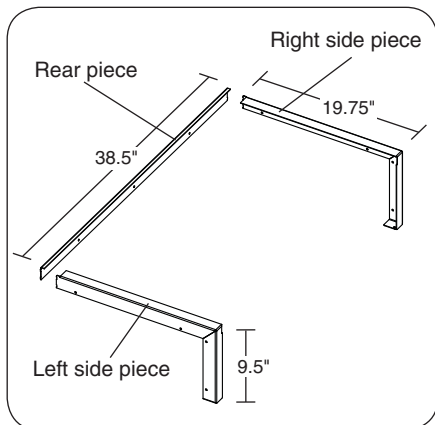


Fig. 1-1 Adapter orientation

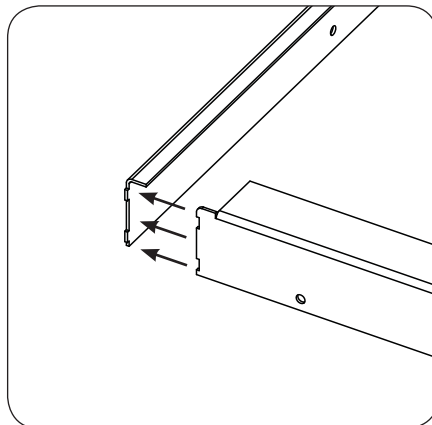


Fig. 1-2 Rear & side pieces interlocking (ideal)

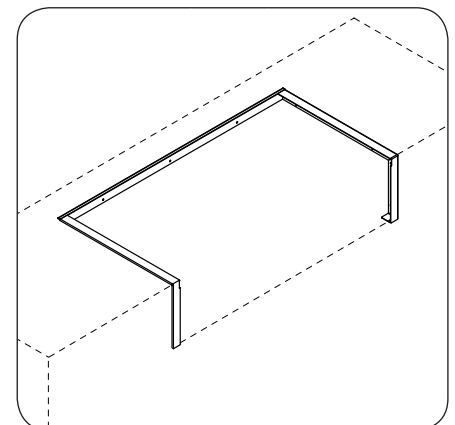


Fig. 1-3 Adapter installed