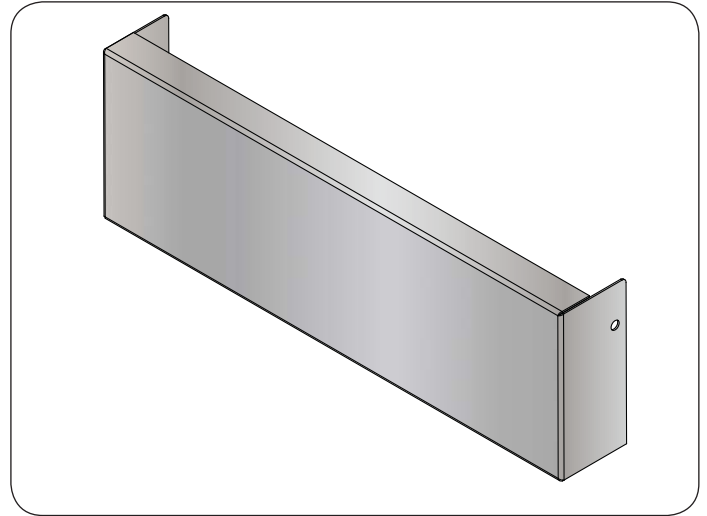




ISLAND ENCLOSURE DOUBLE SIDEBURNER ADAPTER KIT

Model # 3282-AD

INSTALLER: Leave these instructions with consumer.
CONSUMER: Retain for future reference.



This adapter kit allows for your AOG Double Sideburner to be installed into the island enclosure. To install; follow the steps below:

1. Completely read and follow the island enclosure instructions for its assembly.
2. Place the adapter kit into the double sideburner cutout of the island enclosure. Using #10 sheet metal screws (not included), fasten the adapter kit to the island enclosure.
3. Refer to the instructions provided with your double sideburner for its installation.

