

Firebox Liner Kit

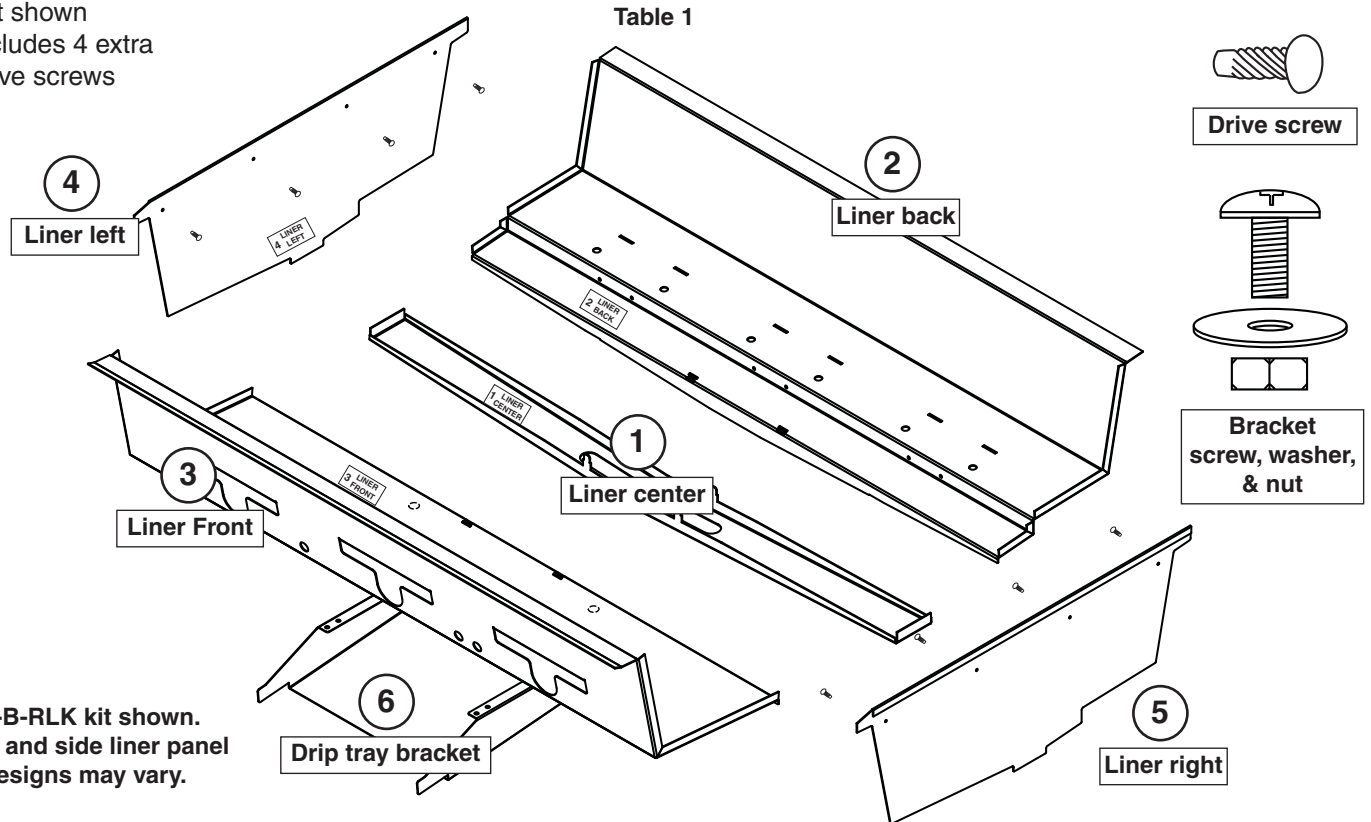
Model # 24-B-RLK, 24-B-RLK-02,
30-B-RLK, 30-B-RLK-02,
36-B-RLK, 36-B-RLK-02



Model	Part No.	Parts List							
		Firebox liner pieces	Burner *	Burner igniter *	Vaporizer panel *	Drive screw †	Bracket screw	Bracket washer	Bracket nut
24"	24-B-RLK(-02)	6	2	2	2	12	4	4	4
30"	30-B-RLK(-02)	6	3	3	3	12	4	4	4
36"	36-B-RLK(-02)	6	3	3	3	12	4	4	4

* Not shown

† Includes 4 extra drive screws



36-B-RLK kit shown.
Front and side liner panel designs may vary.

This firebox liner kit is for installation on AOG grills. Installation on a 36" unit is depicted in this instruction.

READ THESE INSTRUCTIONS CAREFULLY BEFORE STARTING INSTALLATION.

Tools required: Gloves, Phillips screwdriver, flat head screwdriver, rubber mallet, pliers, needle-nose pliers, hammer, 3/8" nut wrench, and power drill with a 3/16" drill bit.

Be sure the grill is completely cool and the gas is completely shut off.

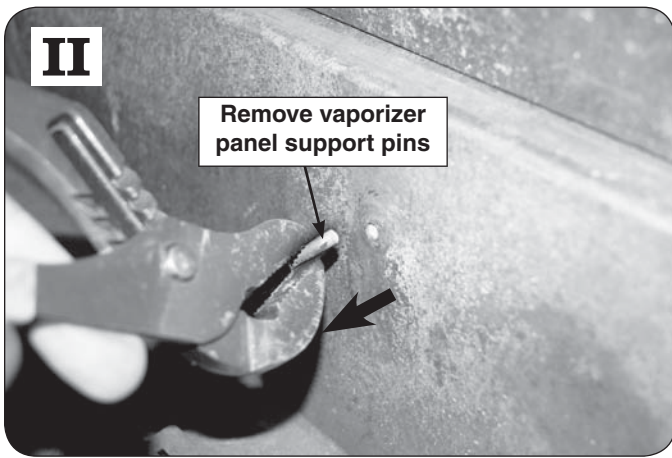
IMPORTANT: CLEAN THE INTERIOR OF THE GRILL OF ALL DEPOSITS AND GREASE PRIOR TO INSTALLING THE FIREBOX LINER KIT.

Note: Wear gloves whenever installing and handling this liner kit as some components have sharp edges.

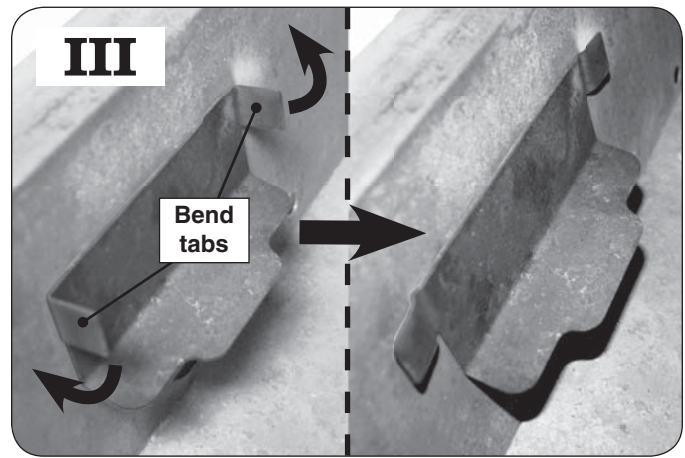
I As applicable, remove the warming rack, cooking grids, vaporizer panels, burners, burner igniters, infrared burner, infrared burner igniter, flash tubes, and open the control panel. Reference your owner's manual for removal details if needed.

Note: The vaporizer panels, burners, and burner igniters that are being removed from your grill are no longer needed and may be discarded. The items included in this kit will replace these parts.

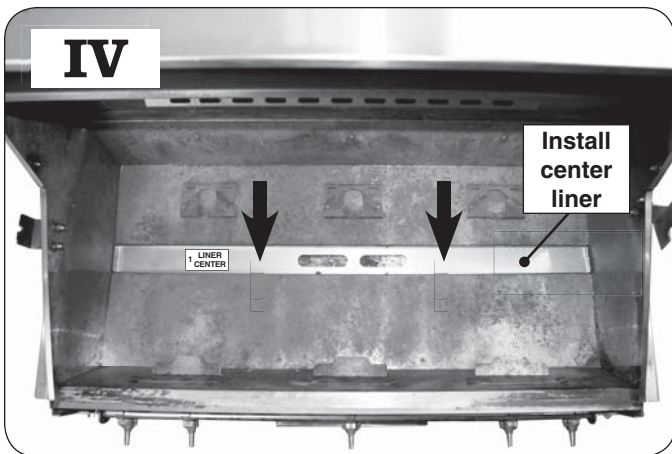
Inspect the grill drip tray bracket underneath the unit. If the original grill firebox no longer provides support to the drip tray bracket, remove and discard the old drip tray bracket by drilling through the supporting rivets.



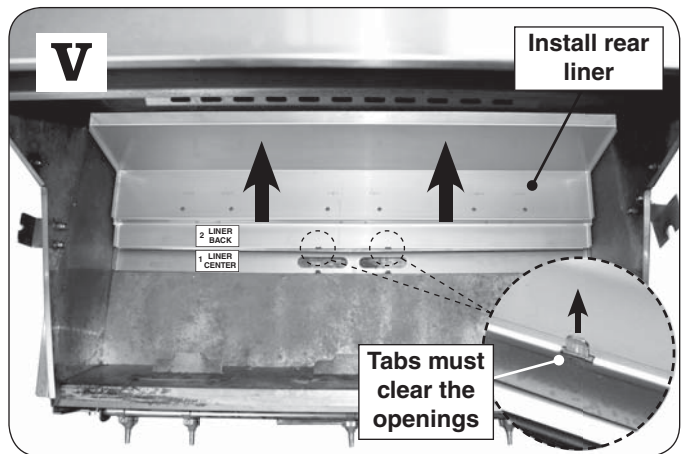
If vaporizer panel support pins exist on the rear firebox wall of the grill, remove those pins using pliers as the new burners (included in this kit) will provide support for the new vaporizer panels.



If baffles exist on the front firebox wall, the tabs must be bent back flat against the grill front firebox wall. Use pliers to fold the tabs flat on all baffles.

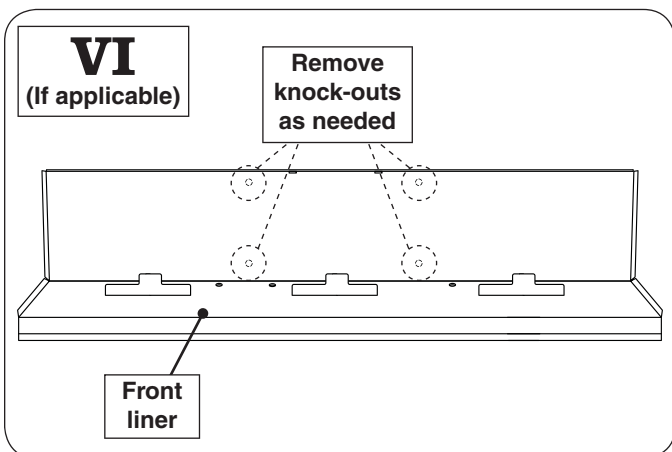


Place the center liner (item 1) onto the grill drainage channel. Ensure the liner rests flat in place.

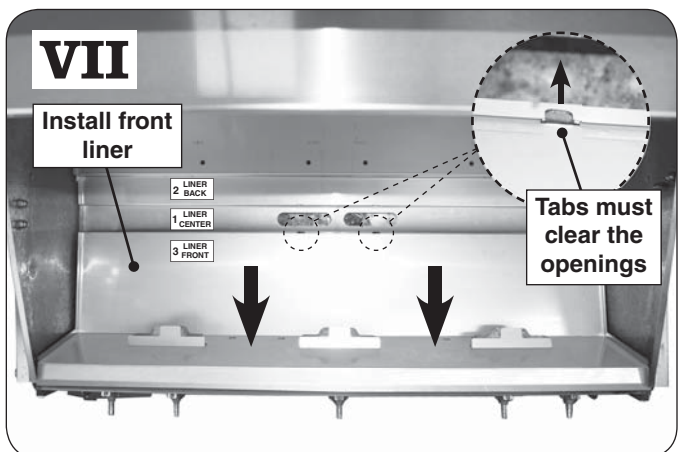


Place the rear liner (item 2) ensuring it rests flat against grill rear firebox wall. The two tabs (on center liner) must extend up through the slots in the rear liner.

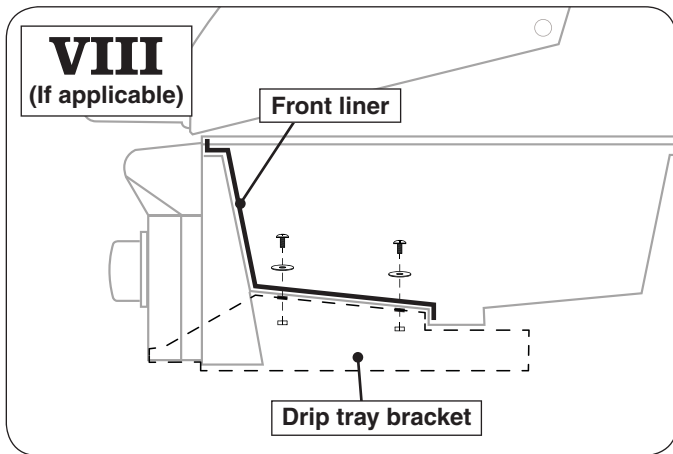
Note: If needed, use a rubber mallet to assist in proper placement of liner panels.



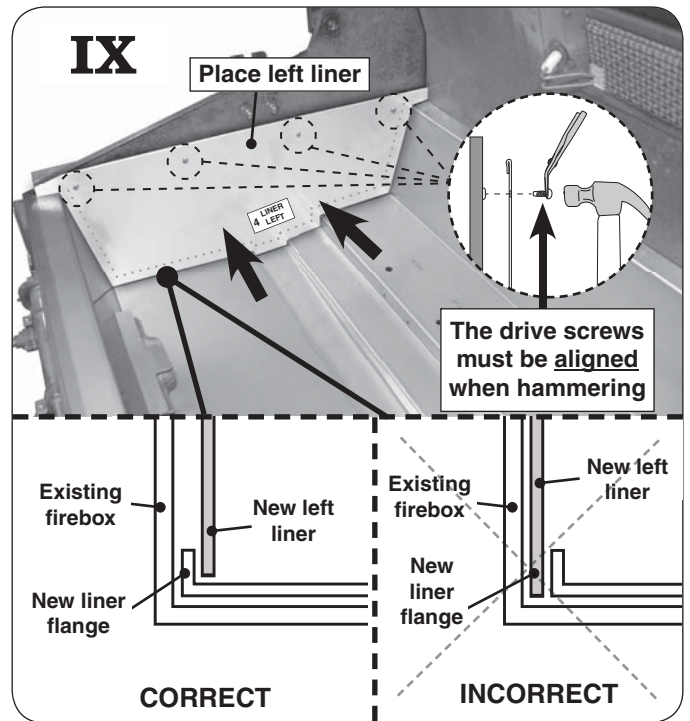
The front liner (item 3) has 4 knock-outs that align to the drip tray bracket below the unit once installed. If the old drip tray bracket was previously removed, remove the knock-outs using a flat head screwdriver. These new holes will be used to provide support to the new drip tray bracket.



Place the front liner (item 3) ensuring it rests flat against the grill front firebox wall, and the two tabs (on center liner) extend up through the slots in the front liner.



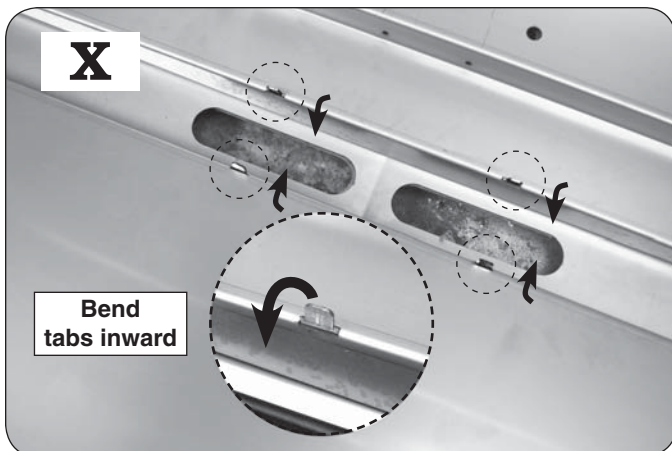
If the knock-outs were removed in step **VI**, install the new drip tray bracket to the front liner using the supplied bracket screws, washers, and nuts. Fully tighten using a Phillips screwdriver and a $\frac{3}{8}$ " nut wrench.



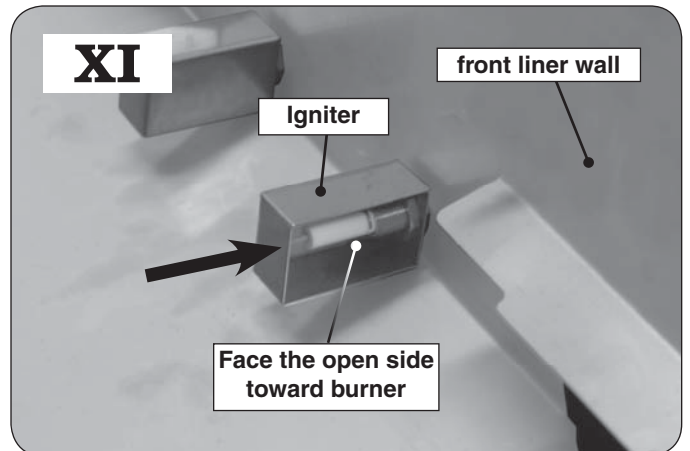
Place the left liner (item 4) as shown above. Rest the liner **OVER the front and rear liner flanges** (hiding the flanges) and ensure the 4 holes are aligned with the 4 grill wall rivets. To secure the liner, align each drive screw (included in kit) with the corresponding hole and carefully hammer each drive screw into the panel. Use needle-nose pliers to assist in holding the drive screws properly.

Note: The drive screw will force out the center of the existing rivet. Therefore, ensure to use ample force when driving the screw through the retaining rivet.

REPEAT THIS STEP FOR THE RIGHT LINER (item 5).



Using pliers, bend in the four tabs inward toward the middle of the center liner to lock the liner panels together.



Install the new igniters (included in kit) into the front liner wall. Each igniter is to be placed from the interior of the grill, with the open side facing towards the burner. Fasten from the opposite side (behind face) using the included nut. Connect each igniter to the corresponding igniter wire.

XII

Install the new burners and vaporizer panels included in this kit. Re-install the control panel, cooking grids, and warming rack.

NOTES PAGE

Please use this page to record any information about your unit that you may want to have at hand.