



Built-in Outdoor Gas Grill Quick Start Guide

"L" Series

IMPORTANT: You must read the installation and owner's manual provided with the grill.

INSTALLER: Leave these instructions with consumer. **CONSUMER:** Retain for future reference.

1-Safety

CAUTION: WHEN INSTALLING UNIT, BE AWARE OF GRILL ENCLOSURE / VENTILATION REQUIREMENTS; YOU MUST VENT UNIT IN ACCORDANCE WITH YOUR OWNER'S MANUAL. FAILURE TO DO SO MAY RESULT IN A FIRE OR EXPLOSION CAUSING PROPERTY DAMAGE, BODILY INJURY, OR DEATH.

This grill must be installed in accordance with local codes and ordinances, or, in the absence of local codes, with either the latest National Fuel Gas Code (ANSI Z223.1/NFPA 54), and Natural Gas and Propane Storage and Handling Installation Code (CSA-B149.1).

This appliance and its individual shutoff valves must be disconnected from the gas-supply piping system when testing the system at pressures in excess of ½ psig. This appliance must be isolated from the gas-supply piping system by closing its dedicated manual shutoff valve during any pressure testing of the gas-supply system at pressures up to and including ½ psig.

This grill is designed for outdoor use only. DO NOT use this grill inside a building, garage, or enclosed area (see paragraph below). DO NOT use this grill in or on a recreational vehicle or boat.

Important: If installing this grill in a COMBUSTIBLE enclosure, the correct AOG insulating liner must be used. Consult the liner instructions for cut-out dimensions and installation.

A minimum 5 foot clearance is required between the countertop and the overhead construction. When installed under combustible overhead construction, the area above the cooking surface of the grill **must** be covered with an exhaust hood. The exhaust hood provides the protection for the combustible overhead construction. **DO NOT use this appliance under unprotected combustible overhead construction.** When installed under overhead non-combustible construction, an exhaust hood is highly recommended. **When using an exhaust hood:** the area above the cooking surface of the grill must be covered with a hood larger than the cooking area of the grill, and with a minimum of 1200 CFM (cubic feet per minute) for proper outdoor application.

Installation must be performed by a qualified professional service technician.

2-Unpacking

Carefully unpack the grill, removing all packing material and protective film (including the clear film on the drip tray). Verify that all parts have arrived undamaged by consulting the parts list in the owner's manual. Remove foam packed hardware from oven area. (See Fig. 2-1.)

Consult the parts list in the owner's manual. If any parts are missing or damaged, immediately contact the AOG dealer before beginning installation.

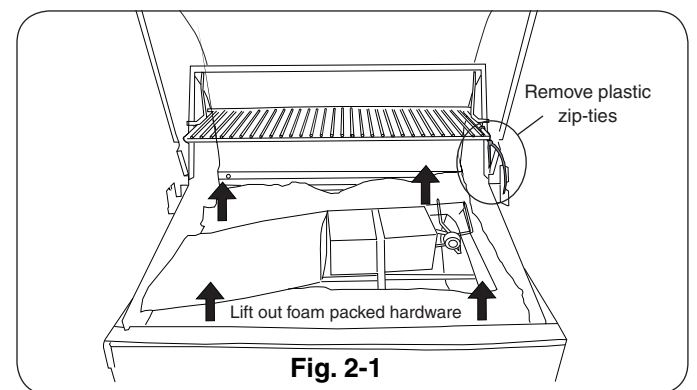


Fig. 2-1

3-Installation

Location

Refer to the INSTALLATION REQUIREMENTS section of your grill owner's manual for complete details.

CAUTION: Wind blowing into or across the rear oven lid vent (Fig. 3-1) can cause poor performance and/or dangerous overheating. Orient the grill so that the prevailing wind blows toward the front of the grill (Fig. 3-2).

CAUTION: To prevent dangerous overheating, the rear of the unit must have a minimum clearance of 4" from any backsplash/non-combustible wall.

INCORRECT

Rear oven lid vent



YOU MUST PROTECT REAR OVEN VENT FROM PREVAILING WIND

Fig. 3-1

CORRECT



PLACE GRILL SO PREVAILING WIND BLOWS TOWARD FRONT OF GRILL

Fig. 3-2

Connect Gas supply

These quick start instructions assume a **natural gas or household propane** configured unit. **See main instructions for propane cylinder units.**

Note: This section is only an overview of installation to the gas supply. Refer to the grill owner's manual for complete grill installation details.

Route the attached flex connector with regulator (located underneath the grill) to the gas-supply stub. (An adapter is required if the gas-supply stub is other than 1/2" in diameter.) **Turn OFF the gas supply at the source.** Then connect the regulator to the gas-supply stub. Use pipe joint compound that is resistant to all gasses on the male pipe fitting and tighten securely. **DO NOT use pipe joint compound to connect flare fittings.** See Fig. 3-3.

Turn all burner control knobs to the **OFF** position. Turn the gas supply on. Then carefully check all gas connections for leaks with a brush and half-soap/half-water solution before lighting. **NEVER USE A MATCH OR OPEN FLAME TO TEST FOR LEAKS.**

The control panel must be flush with the enclosure face as shown in Fig. 3-4.

Proper grill airflow must be maintained as shown in Fig. 3-5. Do not block. **It is not necessary to remove the control panel or knobs for installation.**

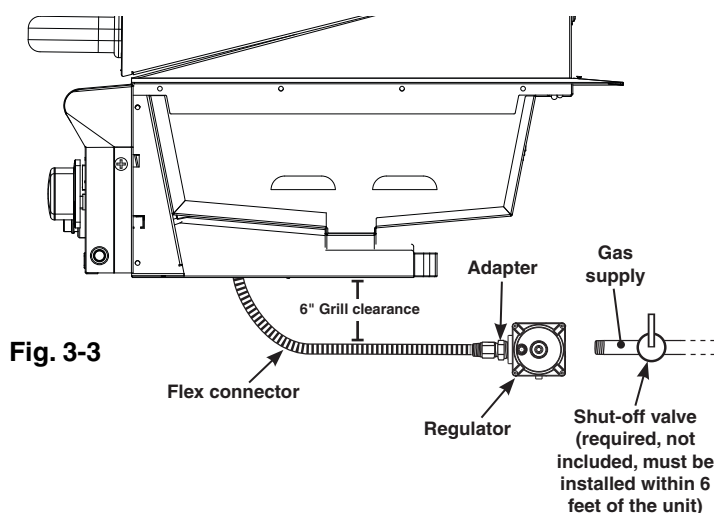


Fig. 3-3

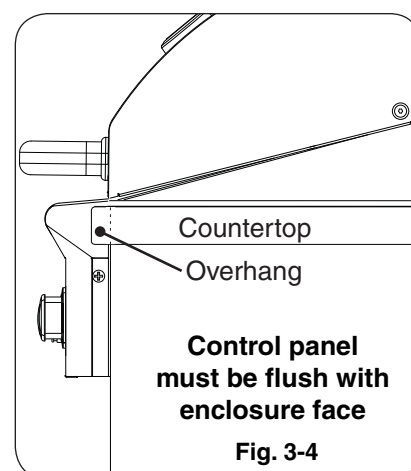


Fig. 3-4

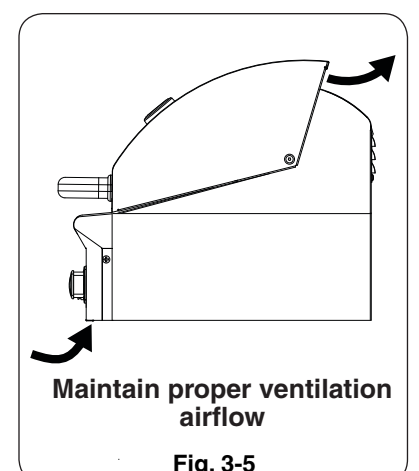


Fig. 3-5

4-Grill Setup

Parts Placement Checklist

Place the following items according to their position and orientation in Fig. 4-1:

Vaporizer panels, cooking grids, and warming rack.

Leave pre-installed burners in place to maintain proper alignment.

Vaporizer Panels

Place the vaporizer panels directly onto the studs on the burners. The panels allow heat from the burners to be evenly distributed throughout the cooking area.

Cooking Grids

Place the cooking grids (over the burners) onto the grill frame.

Warming Rack

The warming rack comes pre-installed. Remove zip ties before use. Consult the owner's manual to remove or replace.

IMPORTANT: See your grill owner's manual for complete installation details.

Note: For infrared burner (IR) equipped grills, see detailed instructions included in your owner's manual.

Replacement parts can be ordered from your local AOG dealer.

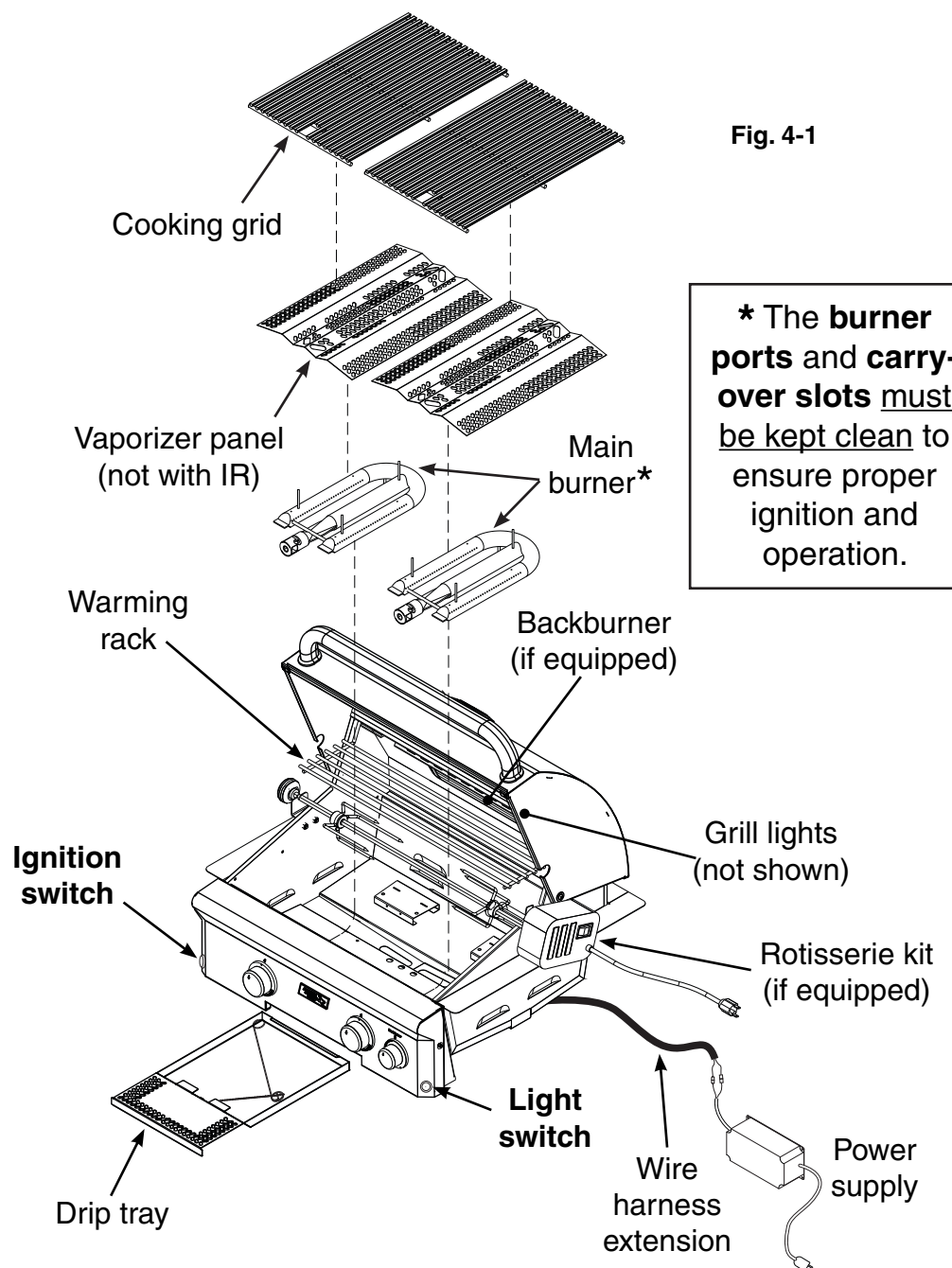


Fig. 4-1

* The burner ports and carry-over slots must be kept clean to ensure proper ignition and operation.

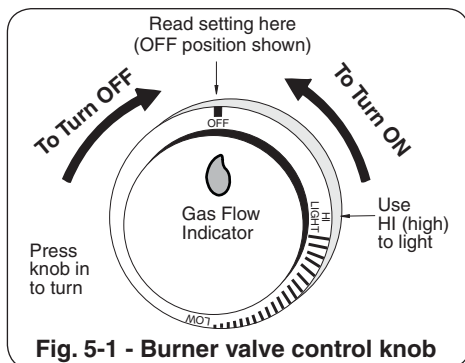


Fig. 5-1 - Burner valve control knob

For your convenience and safety; when the control knob is turned to the on position, the gas flow indicator will change from blue to red. (Red indicates gas flow.) See Fig. 5-1.

WHEN OPERATING THIS GAS APPLIANCE, ALL INSTRUCTIONS AND WARNINGS MUST BE OBSERVED. FAILURE TO DO SO MAY RESULT IN A FIRE OR EXPLOSION CAUSING PROPERTY DAMAGE, BODILY INJURY, OR DEATH.

‡ The light switch is push button operated, and is located on the right side of the control panel (see Fig. 5-2). It controls the power to all lights.

5-Test

Note: Grill must be connected to 120VAC power for electronic lighting.

1. Open lid(s) or remove cover(s) from burner(s) to be lit.
2. Turn all gas control knob(s) to their **OFF** position(s).
3. Turn on the gas at its source.

Note: DO NOT turn on more than one valve at a time for either electronic or manual lighting.

4. Depress the control knob for the burner to be lit and turn it to the **HI LIGHT** position, then press the ignition button. Once the burner lights, release the ignition button.

CAUTION: If a burner does not light within five (5) seconds of turning on the control knob, depress the knob and turn it to the **OFF** position. **WAIT FIVE (5) MINUTES** before repeating step 4. If the burners still do not light after several attempts, refer to the grill owner's manual for manual lighting.

5. Repeat step 4 for each additional burner to be lit.

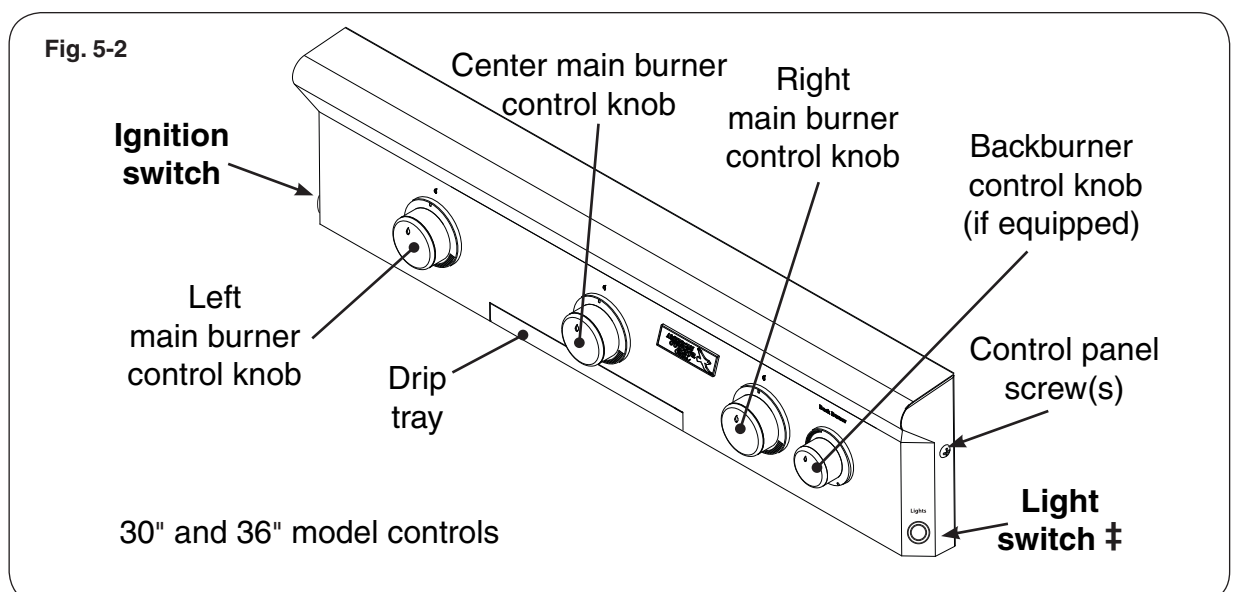


Fig. 5-2

30" and 36" model controls

6-Propane and Natural Gas Safety

FOR PROPANE CONFIGURATIONS; READ ALL SAFETY INSTRUCTIONS AND WARNINGS REGARDING THE USE OF PROPANE GAS FOUND IN YOUR OWNER'S MANUAL. FOR NATURAL GAS READ ALL SAFETY INSTRUCTIONS AND WARNINGS FOUND IN YOUR OWNER'S MANUAL.

7-Routine Maintenance

Your grill must be serviced and maintained properly to ensure optimal performance, appearance, and safety. The grill *must* be cleaned as often as twice a month (depending on use) to prevent grease build-up and other food deposits. See owner's manual for details.