



Grill Top Thermometer

Part # 3573



This elegant and stylish thermometer will be a useful accessory for any outdoor chef in achieving the best from Fire Magic grills.

KEY FEATURES

- All 304 stainless steel
- Displays more accurate temperature readings with longer probe and newly configured base
- New easy-to-read display features more range: 100° to 800° F
- Can easily be hung on front of the warming rack to allow for more cooking space and provide more accurate overall readings throughout the grill oven.

USING THE THERMOMETER

To use, place the thermometer on the cooking grids, warming rack, or near the food that is being cooked. It may also be hung from the front of the warming rack. Reference Fig. 1-2 and 1-3 . Close the oven lid.

CAUTION: WHEN THE GRILL IS LIT / IN USE, TO WITHOUT HEAT RESISTANT GLOVES OR TONGS - THERMOMETER WILL BE HOT AND RETAINS HEAT FOR SOME TIME.

When cooking is complete, and the thermometer is cooled, simply wipe off any grease splatters from the face.

Note: DO NOT immerse in water.

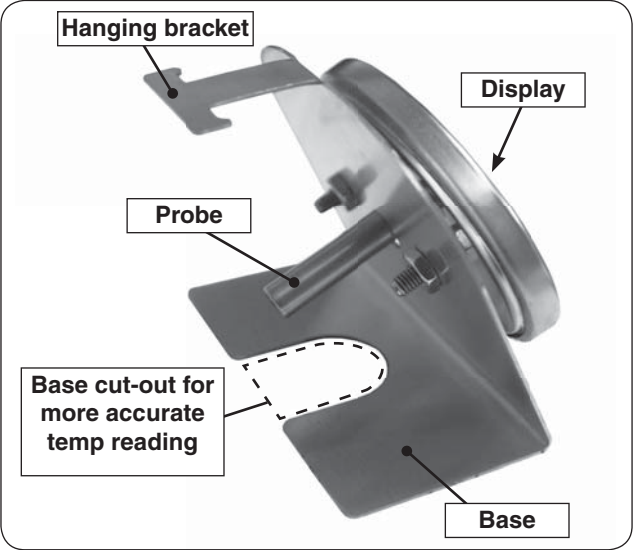


Fig. 1-1 Thermometer features

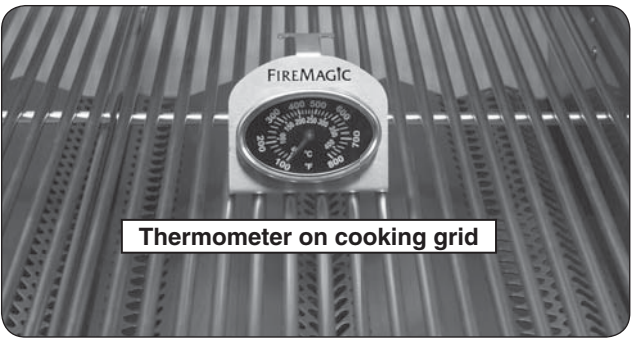


Fig. 1-2

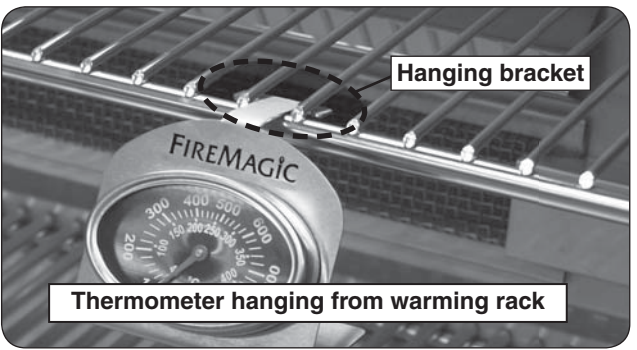


Fig. 1-3