



CUT & CLEAN COMBO

(CUTTING BOARD & TRASH CHUTE)

MODEL # 53816



INSTALLER: Leave these instructions with consumer.
CONSUMER: Retain for future reference.

Item	Description	Qty.
1.	Cutting board	1
2.	Trash chute top assembly	1
3.	Stainless steel assembly	1
4.	Trash chute bottom assembly w/ cover plate	1

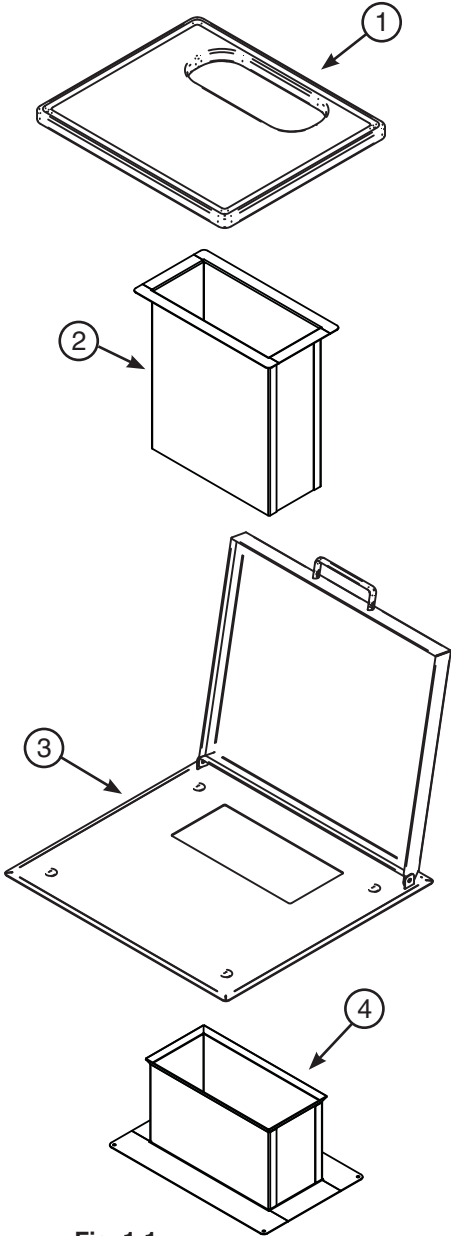


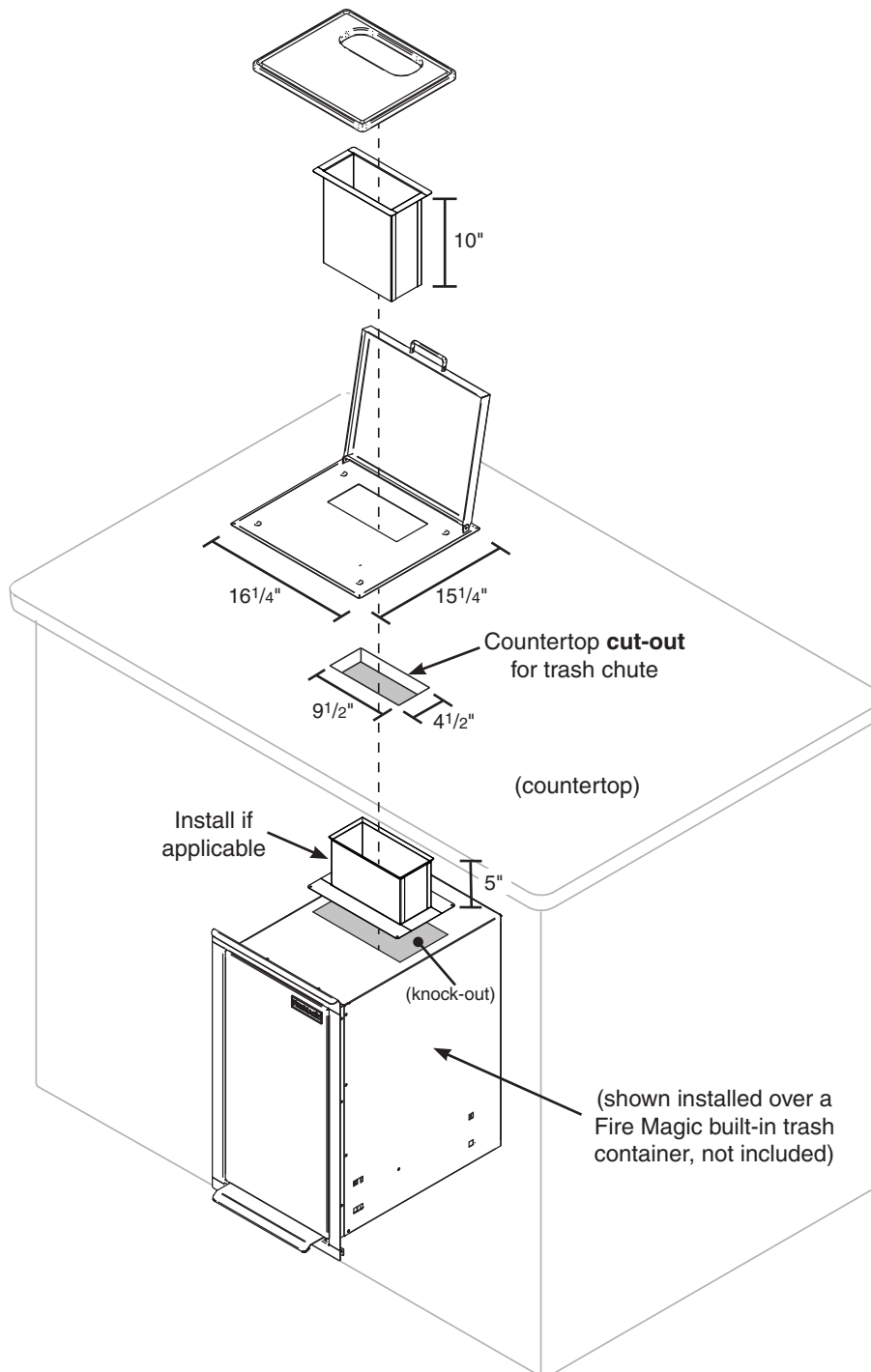
Fig. 1-1

SPECIFICATIONS

Specification	Value
Stainless steel assembly width	16 1/4"
Stainless steel assembly depth	15 1/4"
Trash chute <u>top</u> assembly height	10"
Trash chute <u>bottom</u> assembly height	5"

Specification	Value
Cut-out width	9 1/2"
Cut-out depth	4 1/2"

ORIENTATION



INSTALLATION

The Cut & Clean Combo was designed to be installed over a trash can. A built-in trash container is available from your Fire Magic dealer.

Ensure a trash can / container is properly installed into your island, then proceed as instructed below.

1. Determine the location on the countertop that the cut-out (for the unit's trash chute) must be, based upon the location of the trash can below (see Fig. 3-1).

Note: If your unit is to be installed over a Fire Magic built-in trash container; the cut-out must be directly above the opening found on the top of the trash container. The opening on the trash container must first be knocked-out. Fig. 3-1 illustrates this setup.

2. Once the countertop cut-out is created, drop the stainless steel assembly into place (see Fig. 3-2). Use silicone to secure the unit to the countertop.

3. Drop the trash chute top into place (see Fig. 3-3).

Note: If your unit is to be installed over a Fire Magic built-in trash container; the trash chute top should drop down toward the opening (knock-out) of the trash container. The opening is larger than the trash chute to allow for tolerance during installation. A trash chute bottom assembly with cover plate is supplied to close up any resulting gaps, and to link with the trash chute top.

Align the cover plate over the trash container opening (knock-out) and carefully lower the top chute into the bottom chute. Secure the cover plate by using silicone or appropriate screws. **Reference the orientation drawing on the previous page.**

4. Position the cutting board in place (see Fig. 3-4).

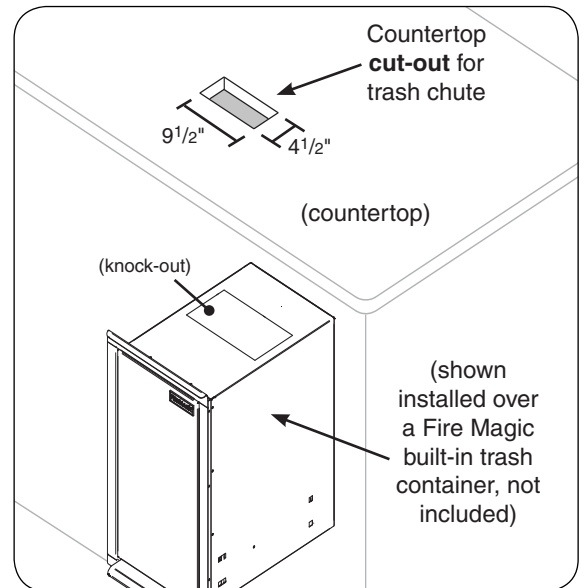


Fig. 3-1 Countertop cut-out



Fig. 3-2 Drop assembly into place



Fig. 3-3 Drop trash chute top into place

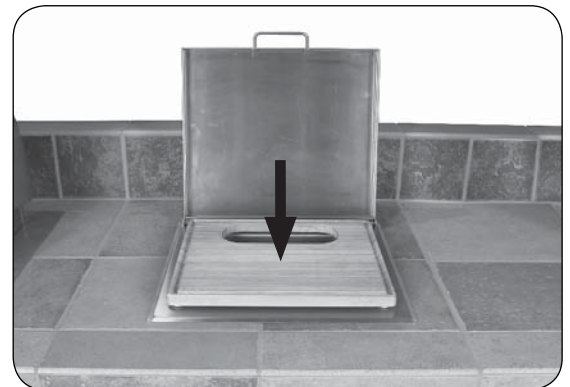


Fig. 3-4 Position cutting board in place

CARE & CLEANING

The Cut & Clean Combo is exposed to raw foods and should be cleaned after each use.

The cutting board and trash chute top are removable and should be washed thoroughly. They are dish-washer safe.

The interior surfaces of the unit should also be cleaned / disinfected with soapy water or an appropriate kitchen cleaner safe for stainless steel. Use caution not to treat the interior of the unit with chemicals that may come in contact with future food preparations. Always wipe with the grain.

The trash can below should be emptied regularly to prevent the trash chute from backing up.

The exterior of the unit should be cleaned by first using grill cleaner to remove grease and dirt. Always wipe with the grain (see Fig. 4-1). Next, apply stainless steel polish and wipe down using polish wipes to restore the stainless steel color. Use caution not to treat the exterior of the unit with chemicals that may come in contact with future food preparations.



Fig. 4-1 Clean exterior, wipe with grain