



Refreshment Center

Part # 3596A

INSTALLER: Leave these instructions with consumer.
CONSUMER: Retain for future reference.



SPECIFICATIONS

Item	Description	Part No.	Qty.
1.	Front panel	3596-05	1
2.	Insulated lid	33596-05	1
3.	Drain kit	3596-11	1

Table 1 - Replacement parts list

Counter Cut-out Dimensions	
A Counter Opening Height cut-out*	12"
B Counter Opening Width cut-out	25"
C Counter Opening Depth cut-out	25"
D Front panel width cut-out	26 1/8"

* Drain assembly clearances must also be provided.

Table 2 - Cut-out dimensions

TOP VIEW

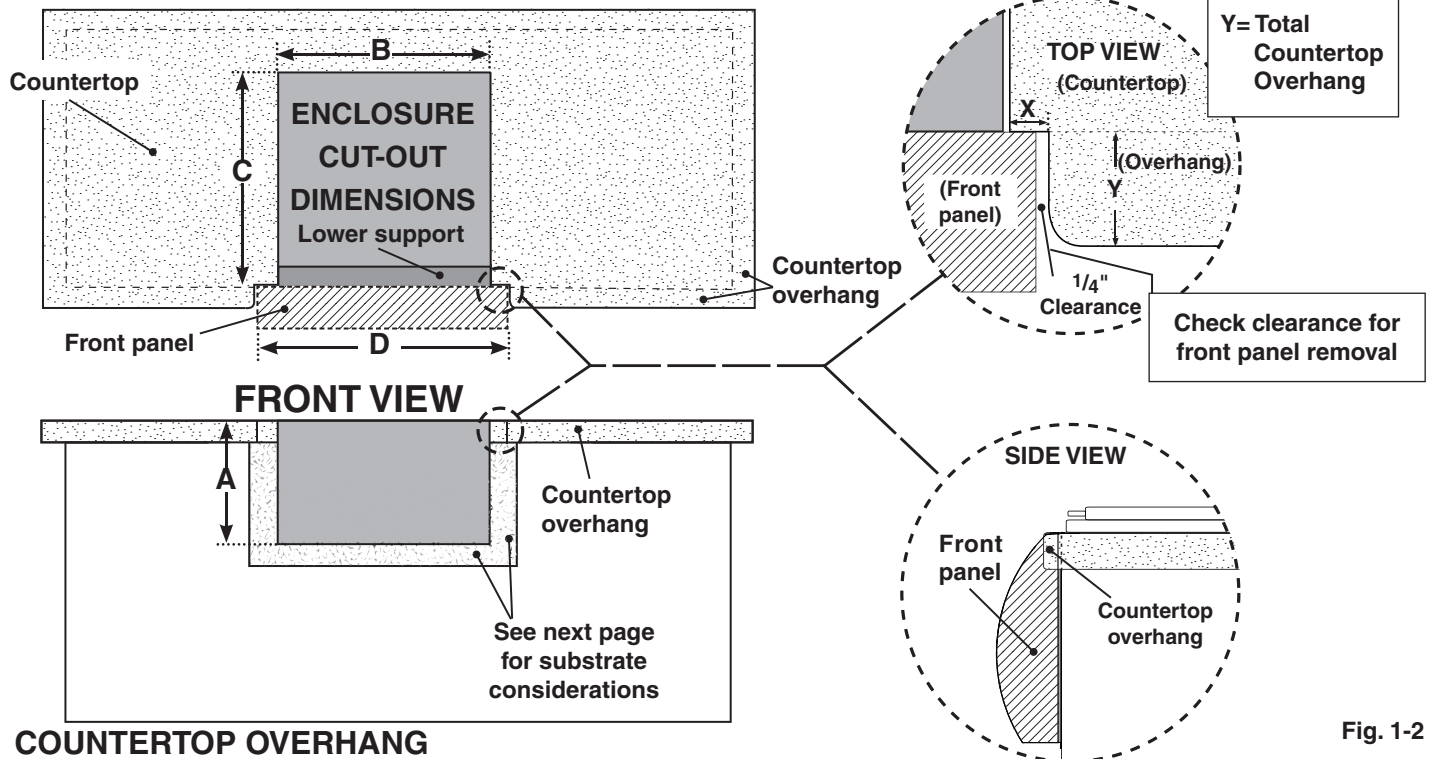


Fig. 1-1 Replacement parts list

Fig. 1-2

COUNTERTOP OVERHANG

The front panel is designed to sit flush against the enclosure front wall. If the countertop extends beyond the front wall, creating a countertop overhang, it must be cut flush with the front wall for the width of the front panel or a gap will be created exposing the forward portions of the left and right side grill fire walls. See illustrations above.

SUBSTRATE

When adding any substrate to the enclosure front wall (including tiles, stone, etc.), consider the following:

Substrate Behind Front Panel

Substrate + countertop "front to back" cutout must equate to **Dim. C** (see previous page) when the substrate sits flush behind the front panel.

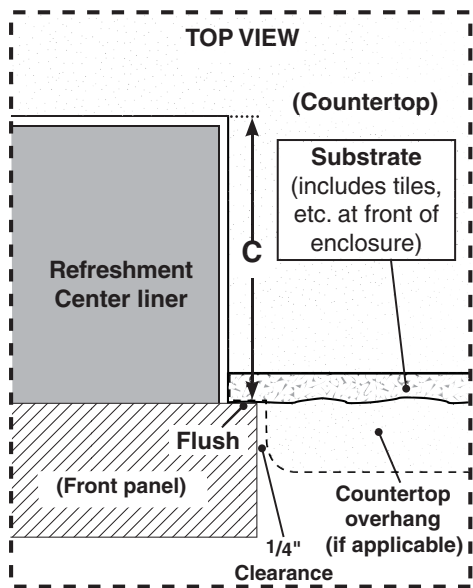


Fig. 2-1

Substrate Alongside Front Panel

Any additional substrate alongside the front panel does not need to be considered in **Dim. C** (see previous page), however a 1/4" clearance on each side (same as overhang) and below is required.

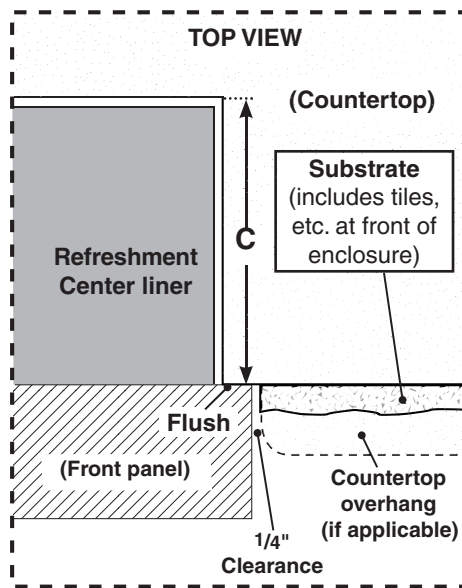


Fig. 2-2

INSTALLATION

To install your Fire Magic Refreshment Center, follow the steps below:

1. Prepare a cut-out in the countertop as specified in Table 2 (reference Fig.1-2).

Important: Clearances below the unit must be provided for the drain assembly.

2. Place the refreshment center into the cut-out opening. Use silicone (between the hanger and countertop) to secure the unit.

Important: Use care when handling the unit, so as to not damage the pre-installed drain spout assembly. **DO NOT** place the unit on a flat surface prior to installation.

3. Assemble and attach the supplied drain kit to the unit as shown in Fig. 2-3. Plumb to a drain or as appropriate for your installation. Observe all local codes.

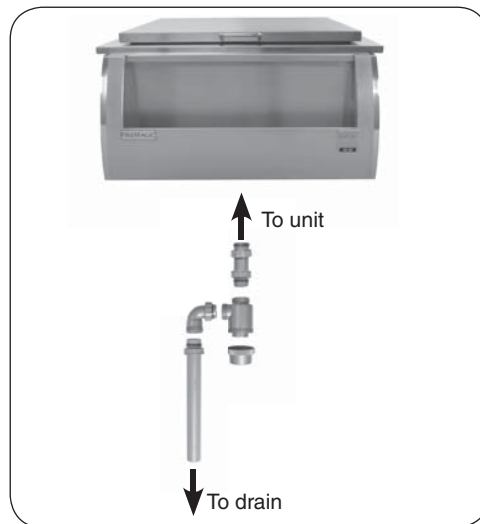


Fig. 2-3 Plumbing installation

REMOVEABLE LID (OPTIONAL)

1. Remove screws from the soft down hinges on the inner left and right side (see Fig. 3-1, A).
2. Firmly press the soft down hinges to the left until they clear the bracket pins (see Fig. 3-1, B).
3. Slide the lid to the left to remove it from the unit (see Fig. 3-2).

To reattach the lid reverse the previous steps.

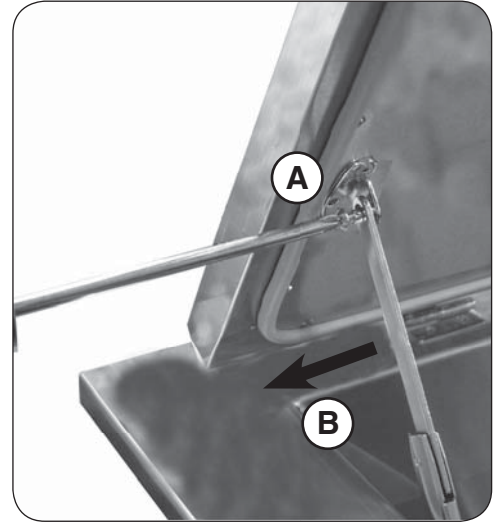


Fig. 3-1 Remove hinges

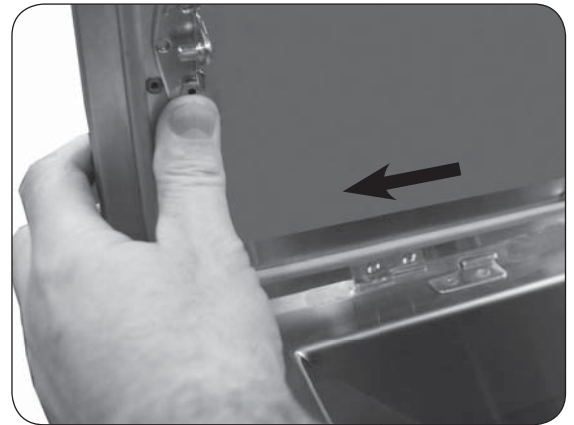


Fig. 3-2 Remove lid

OPTIONAL FABRIC COVER

An optional fabric cover is available to protect your unit when not in use. Contact your local dealer for ordering information.

To install place the cover over the unit with the Fire Magic logo facing upward. See Fig. 4-1.

Follow all instructions provided with the fabric cover.

Remove cover before use.



Fig. 4-1 Fabric cover option

CARE & CLEANING

The appliance *must* be cleaned as often as once a month (depending on use).

Clean your appliance by first using grill cleaner. Always wipe with the grain (See Fig. 4-2). Next, use stainless steel cleaner to restore the stainless steel color. Finish by wiping your appliance down using polish wipes.

If your appliance is installed in a seaside (salt air) or poolside (chlorine) location, it will be more susceptible to corrosion and must be maintained/cleaned more frequently. Do not store chemicals (such as chlorine or fertilizer) near your stainless steel appliance.

Due to the nature of stainless steel, surface iron oxide deposits may appear. Do not be alarmed – these deposits are removable with stainless steel cleaner through prompt and periodic maintenance. If not attended to promptly, permanent pitting may occur.

By following these recommendations, you will enjoy the beauty and convenience of your appliance for many years to come.



Fig. 4-2 Wipe with grain