

**IMPORTANT: You must read the installation and owner's manual provided with the grill.**

**INSTALLER:** Leave these instructions with consumer. **CONSUMER:** Retain for future reference.

## 1-Safety

**CAUTION: WHEN INSTALLING AND OPERATING THIS APPLIANCE, ALL INSTRUCTIONS AND WARNINGS IN YOUR OWNER'S MANUAL MUST BE OBSERVED. FAILURE TO DO SO MAY RESULT IN A FIRE OR EXPLOSION CAUSING PROPERTY DAMAGE, BODILY INJURY, OR DEATH.**

This grill must be installed in accordance with local codes and ordinances, or, in the absence of local codes, with either the latest National Fuel Gas Code (ANSI Z223.1/NFPA 54), and Natural Gas and Propane Storage and Handling Installation Code (CSA-B149.1).

This appliance and its individual shutoff valves must be disconnected from the gas-supply piping system when testing the system at pressures in excess of ½ psig. This appliance must be isolated from the gas-supply piping system by closing its dedicated manual shutoff valve during any pressure testing of the gas-supply system at pressures up to and including ½ psig.

**This grill is designed for outdoor use only. DO NOT use this grill inside a building, garage, or enclosed area (see paragraph below). DO NOT use this grill in or on a recreational vehicle or boat.**

A minimum 5 foot clearance is required between the cooking surface and the overhead construction. When installed under combustible overhead construction, the area above the cooking surface of the grill **must** be covered with an exhaust hood. The exhaust hood provides the protection for the combustible overhead construction. **DO NOT use this appliance under unprotected combustible overhead construction.** When installed under overhead non-combustible construction, an exhaust hood is highly recommended. **When using an exhaust hood:** the area above the cooking surface of the grill must be covered with a hood larger than the cooking area of the grill, and with a minimum of 1200 CFM (cubic feet per minute) for proper outdoor application.

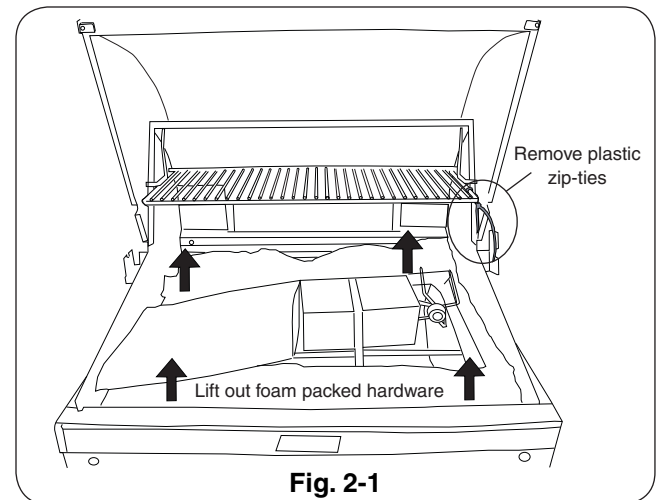
**Installation must be performed by a qualified professional service technician.**

## 2-Unpacking

Carefully unpack the grill, removing all packing material and protective film (including the clear film on the drip tray). Verify that all parts have arrived undamaged by consulting the parts list in the owner's manual. Remove foam packed hardware from oven area. (See Fig. 2-1.)

Consult the parts list in the owner's manual. If any parts are missing or damaged, immediately contact the Fire Magic dealer before beginning installation.

**Important: The 2 shipping screws must be removed prior to removing the unit from the wooden pallet.** The screw located on the bottom left side of the unit is accessed by opening the door.



## 3-Installation

### Location

Locate the grill on a flat level surface. Refer to the INSTALLATION REQUIREMENTS section of your grill owner's manual for complete details.

**CAUTION: Wind blowing into or across the rear oven lid vent (Fig. 3-1) can cause poor performance and/or dangerous overheating. Orient the grill so that the prevailing wind blows toward the front of the grill (Fig. 3-2).**

**CAUTION:** To prevent dangerous overheating, the rear of the unit must have a minimum clearance of 4" from any non-combustible wall.

### INCORRECT

Rear oven lid vent



**YOU MUST PROTECT REAR OVEN VENT FROM PREVAILING WIND**

**Fig. 3-1**

### CORRECT



**PLACE GRILL SO PREVAILING WIND BLOWS TOWARD FRONT OF GRILL**

**Fig. 3-2**

### Connect Gas supply

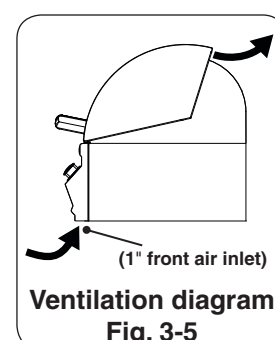
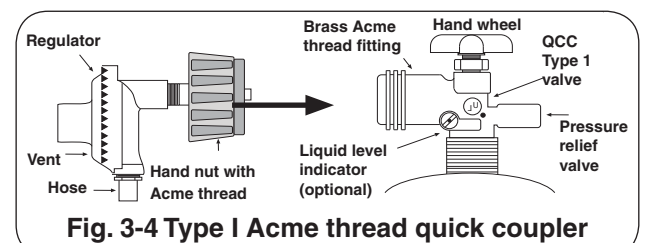
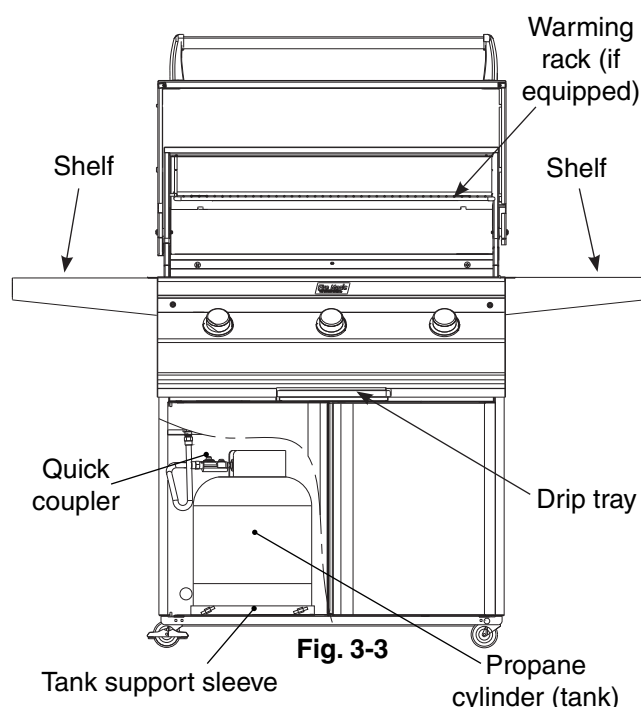
These quick start instructions assume a propane cylinder configured unit. **See main instructions for natural gas or household propane configured units.**

Place approved propane 20 lb cylinder in tank tray and lock holder in position (Fig. 3-3).

Connect quick coupler hose and regulator supplied with unit to propane cylinder (Fig. 3-4).

Turn all burner control knobs to the **OFF** position. Open the main cylinder valve. Then carefully check all gas connections for leaks with a brush and half-soap/half-water solution before lighting. **NEVER USE A MATCH OR OPEN FLAME TO TEST FOR LEAKS.**

Proper grill airflow must be maintained as shown in Fig. 3-5.



**To connect the regulator/hose assembly to the propane-gas cylinder valve fitting:** Press the hand nut on the regulator over the Acme thread fitting on the cylinder valve. Turn the hand nut clockwise to engage the threads and tighten until snug.

## 4-Grill Setup

### Parts Placement Checklist

Place the following items according to their position and orientation in Fig. 4-1:

Flavor grids, cooking grids, and warming rack.

Leave pre-installed burners in place to maintain proper alignment.

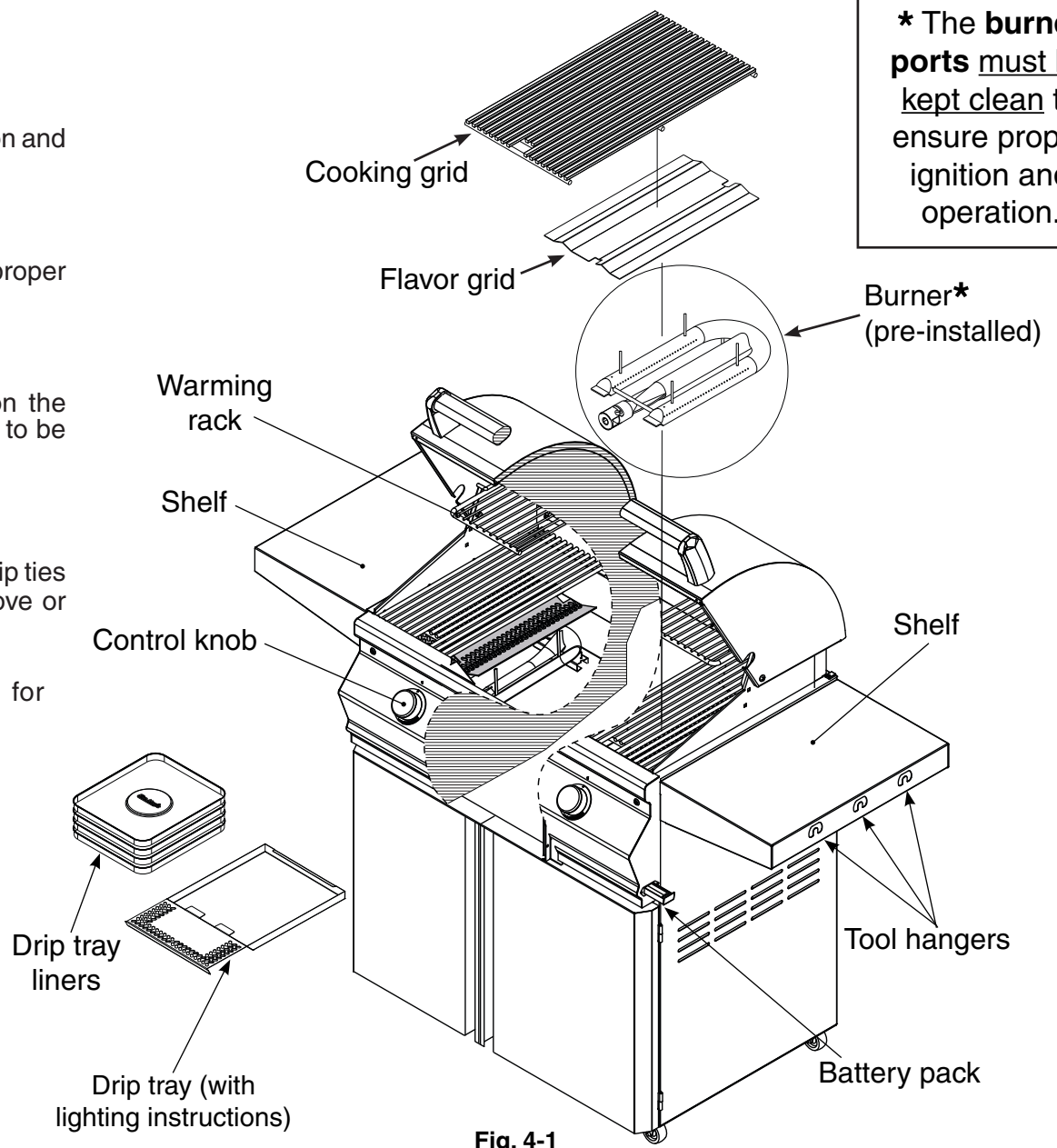
### Flavor Grids

Place the flavor grids directly onto the studs on the burners. The panels allow heat from the burners to be evenly distributed throughout the cooking area.

### Warming Rack

The warming rack comes pre-installed. Remove zip ties before use. Consult the owner's manual to remove or replace.

**IMPORTANT:** See your grill owner's manual for complete installation details.



Replacement parts can be ordered from your local Fire Magic dealer.

Fig. 4-1

## 5-Test

**Note:** Electronic lighting requires an installed 9-volt battery with a good charge.

1. Open lid(s) or remove cover(s) from burner(s) to be lit.
2. Turn all gas control knob(s) to their **OFF** position(s).
3. Turn on the gas at its source.

**Note:** DO NOT turn on more than one valve at a time for either electronic or manual lighting.

4. Depress the desired control knob **for 5 seconds**, then, while pressing turn it counterclockwise to the **HI LIGHT** position. Once the burner lights, release the knob.

**CAUTION:** If a burner does not light within five (5) *seconds* of turning on the control knob, depress the knob and turn it to the **OFF** position. **WAIT FIVE (5) MINUTES** before repeating step 4. If you smell gas, follow the instructions on the cover of the grill owner's manual. If the burners still do not light after several attempts, refer to the grill owner's manual for manual lighting.

5. Repeat step 4 for each additional burner to be lit.

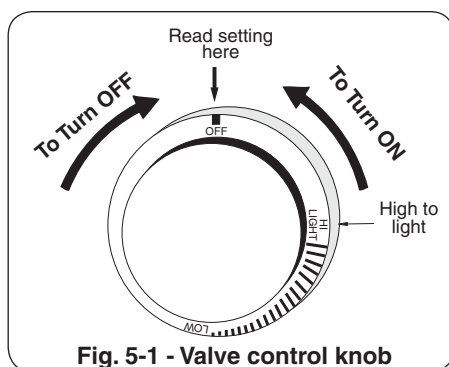


Fig. 5-1 - Valve control knob

**WHEN OPERATING THIS GAS APPLIANCE, ALL INSTRUCTIONS AND WARNINGS MUST BE OBSERVED. FAILURE TO DO SO MAY RESULT IN A FIRE OR EXPLOSION CAUSING PROPERTY DAMAGE, BODILY INJURY, OR DEATH.**

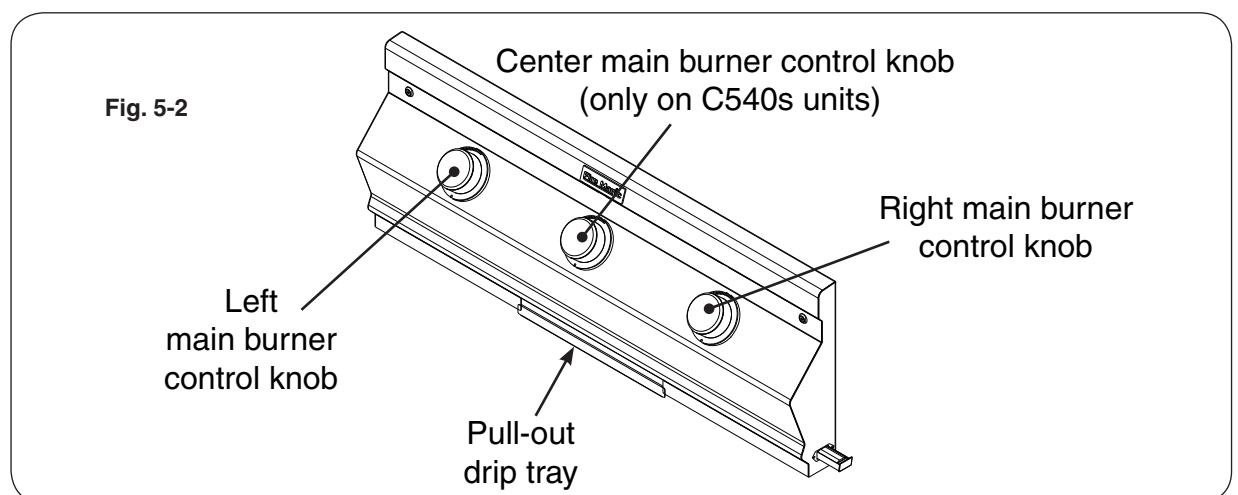


Fig. 5-2

## 6-Propane and Natural Gas Safety

**IMPORTANT: READ AND FOLLOW ALL WARNINGS PROVIDED WITH THE PROPANE-GAS CYLINDER.**

**READ ALL SAFETY INSTRUCTIONS AND WARNINGS REGARDING THE USE OF PROPANE GAS FOUND IN YOUR OWNER'S MANUAL. FOR NATURAL GAS READ ALL SAFETY INSTRUCTIONS AND WARNINGS FOUND IN YOUR OWNER'S MANUAL.**

## 7-Routine Maintenance

Your grill must be serviced and maintained properly to ensure optimal performance, appearance, and safety. Clean your grill before and after each use. Additionally, a deep clean of the entire grill and all its components be performed twice a year (or as needed depending on use). See owner's manual for details.