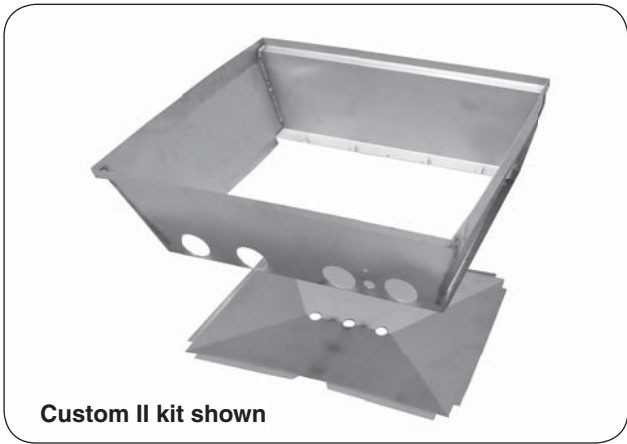




Liner Replacement Kit

For Regal, Custom, & Deluxe
Porcelainized Grills

INSTALLER: Leave these instructions with consumer.
CONSUMER: Retain for future reference.



Series	Kit Model #
Regal I	3000-08
Regal II	3000-07
Custom I	3000-01
Custom II	3000-03
Deluxe	3000-02

Table 1

This liner is for replacement on Regal, Custom, and Deluxe Series porcelainized (black) grills. Installation on a Custom II model is shown here. Installation on other models may slightly vary. To install, follow the steps below:

1. Be sure the barbecue is completely cool and the gas is completely shut off.
2. Remove the warming rack, cooking grids, flavor grids, burners, control panel, igniters, and oven hood (if applicable). See Fig. 1-1. Reference your owner's manual for complete removal details if needed.

Important: If the oven hood is equipped with a back burner, the gas line and igniter wire to the back burner must be disconnected in order to remove the oven hood (if applicable).

3. Remove any nuts and bolts from the existing rear wall and discard. See Fig. 1-2.

Note: The discarded nuts and bolts will be replaced by new nuts and bolts included with the replacement liner.

4. Clean the interior of the grill of all deposits and grease.
5. Carefully install the bottom liner as shown in Fig. 1-3.
6. Install the top liner ensuring that it rests flat against the original liner walls (see Fig. 1-4).
7. Replace all of the components removed for this procedure.

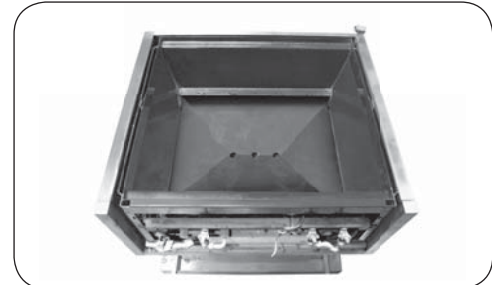


Fig. 1-1 Remove grill components

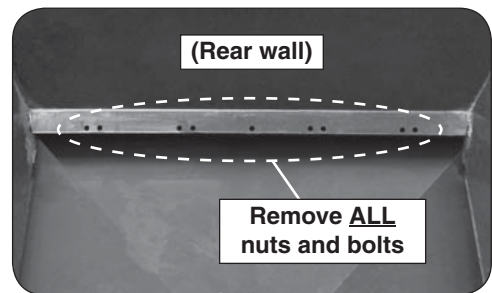


Fig. 1-2 Remove nuts and bolts

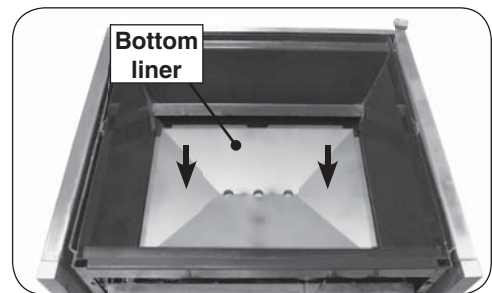


Fig. 1-3 Install bottom liner

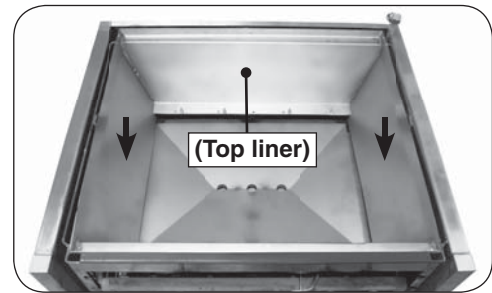


Fig. 1-4 Install top liner