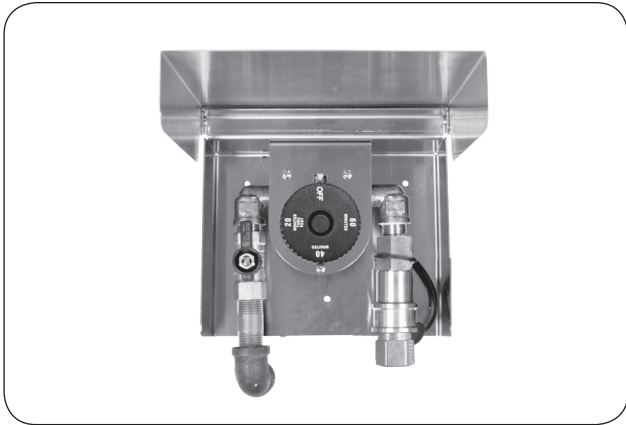




Gas Connection Box with Timer

Model # 5520-01T
5520-03T

INSTALLER: Leave these instructions with consumer.
CONSUMER: Retain for future reference.



INSTALLATION REQUIREMENTS

This device shall be installed in accordance with local codes or, in the absence of local codes, in accordance with the National Fuel Gas Code ANSI Z223.1/NFPA54, or the Natural Gas & Propane Installation Code, CSA B149.1, as applicable.

Test all piping joints inside the outlet box as per B149.1 or B149.2, or the National Fuel Gas Code.

Specifications

- Box dimensions: 8" W x 7 1/4" H x 3" D
- 1/2" Model - 90m B.T.U., Natural Gas @ 0.6 SP. @ 7" w.c.
- 1/2" Model - 140m B.T.U., Propane Gas @ 1.53 SP. @ 11" w.c.
- Maximum working pressure not to exceed 1/2 P.S.I.G.
- Maximum operating range: from -18° C (0° F) to 93.3° C (200° F).

Gas Supply Plumbing Requirements

The gas pipe must extend 5/8" - 3/4" past the finished wall surface (substrate) as shown in Fig. 1-2. The piping should be flexible enough to be pulled out for leak testing during installation and sealing the piping penetrating through the wall. DO NOT fasten the riser or elbow in the wall to allow the pipe to move back and forth for ease of installation.

Important: The center of the pipe must be at least 12" (see Fig. 1-3) from any adjacent walls to allow the **fully assembled valve and box** to rotate completely during install, if applicable. Removing the box from the valve assembly will allow a 9" minimum from any adjacent walls.

To remove the box from the valve assembly: Unscrew and remove the two screws located on top of the box assembly (see parts list).

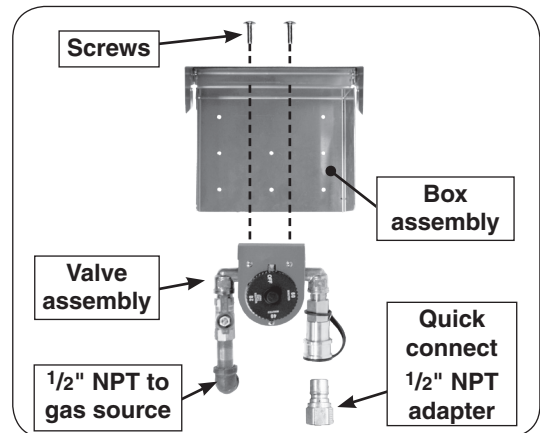


Fig. 1-1 Parts list

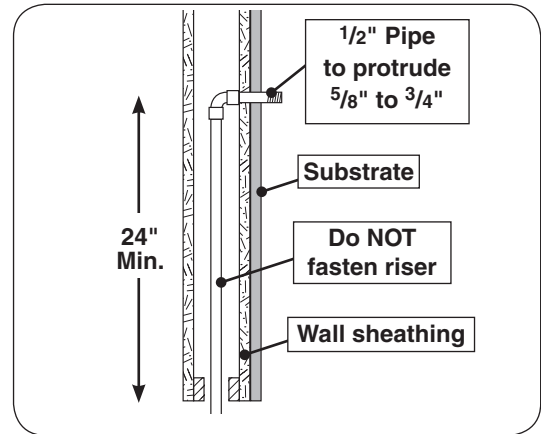


Fig. 1-2 Piping detail

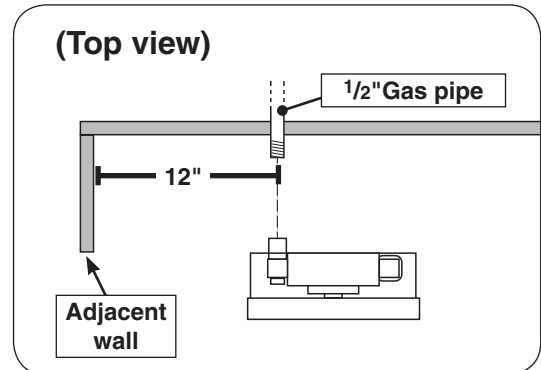


Fig. 1-3 Adjacent wall diagram

INSTALLATION

1. Attach the valve assembly elbow to the gas pipe. Rotate the entire assembly clockwise until it is fully secured to the gas pipe. See Fig. 2-1. Use a pipe joint compound resistant to all gasses on the male pipe.
2. Carefully check *all* gas connections for leaks with a brush and soapy water before lighting. NEVER USE A MATCH OR OPEN FLAME TO TEST FOR LEAKS.
3. Re-install the box to the valve if previously removed.
4. Secure the box to the wall using the mounting holes provided on the rear wall of the box assembly and appropriate mounting hardware for your construction (not included). See Fig. 2-2.

Important: Avoid overtightening of wall fasteners to prevent box damage.

5. Sealant is recommended between the box enclosure and the wall, and the wall and piping that services the outlet, as applicable, to prevent any leaking gas from entering the wall cavity.

QUICK CONNECT 1/2" NPT ADAPTER

1. Attach the quick connect 1/2" NPT flare adapter to the gas line coming from your outdoor appliance.
2. Connect the other end of the adapter to the quick connector located inside the box assembly (see Fig. 2-3).

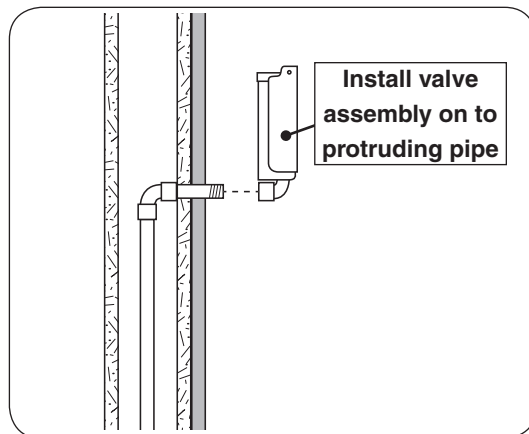


Fig. 2-1 Install valve assembly

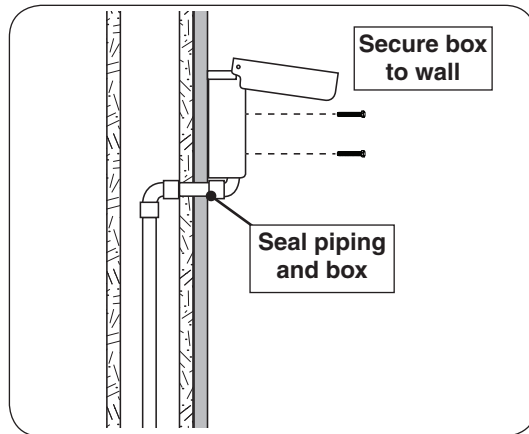


Fig. 2-2 Install stainless steel box

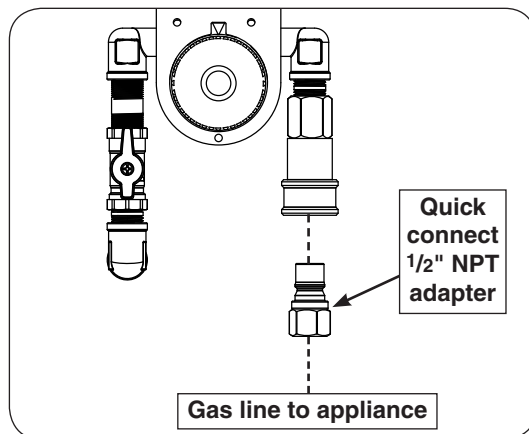


Fig. 2-3 Connect to gas line

TIMER (1-hour model)

Open the shut-off valve located inside the box assembly and set the dial (turn clockwise) to the desired time to shut off. The dial is marked in 3 twenty minute increments (any position in between is an estimate of that set time). The timer dial will auto rotate (counter-clockwise) and will shut off the gas supply when the dial reaches OFF (i.e. the time is completed).

Important: When using the timer for periods of less than twenty minutes, you must first set the dial to 20 minutes (to activate), then return (counter-clockwise) to the desired amount of time. This will ensure proper timer operation. See Fig. 3-1.

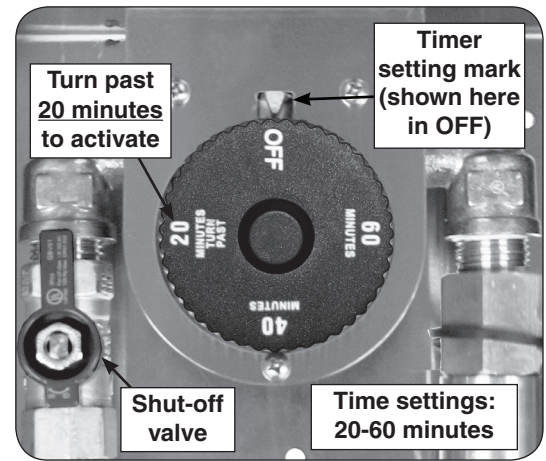


Fig. 3-1 1-hour timer detail

TIMER (3-hour model)

Open the shut-off valve located inside the box assembly and set the dial (turn clockwise) to the desired time to shut off. The dial is marked in 3 one hour increments (any position in between is an estimate of that hour). The timer dial will auto rotate (counter-clockwise) and will shut off the gas supply when the dial reaches OFF (i.e. the time is completed).

Important: When using the timer for periods of less than one hour, you must first set the dial to 1 hour (to activate), then return (counter-clockwise) to the desired amount of time. This will ensure proper timer operation. See Fig. 3-2.

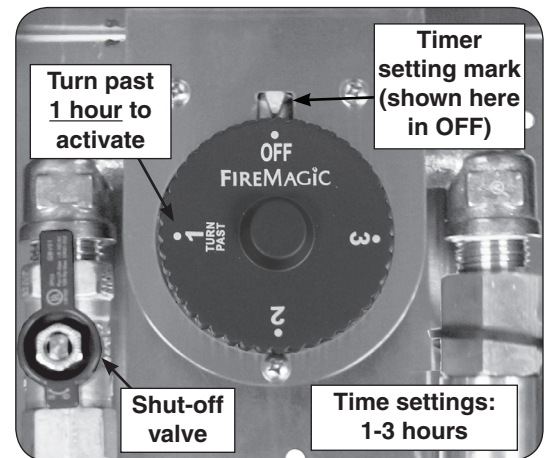


Fig. 3-2 3-hour timer detail

CAUTION: Always leave the shut-off valve in the closed position when not in use.

Note: Always instruct the end user on the safe operation of the outlet, timer valve, and hose connection.

NOTES PAGE

Please use this page to record any information that you may want to have at hand.