

Firebox Liner Kit

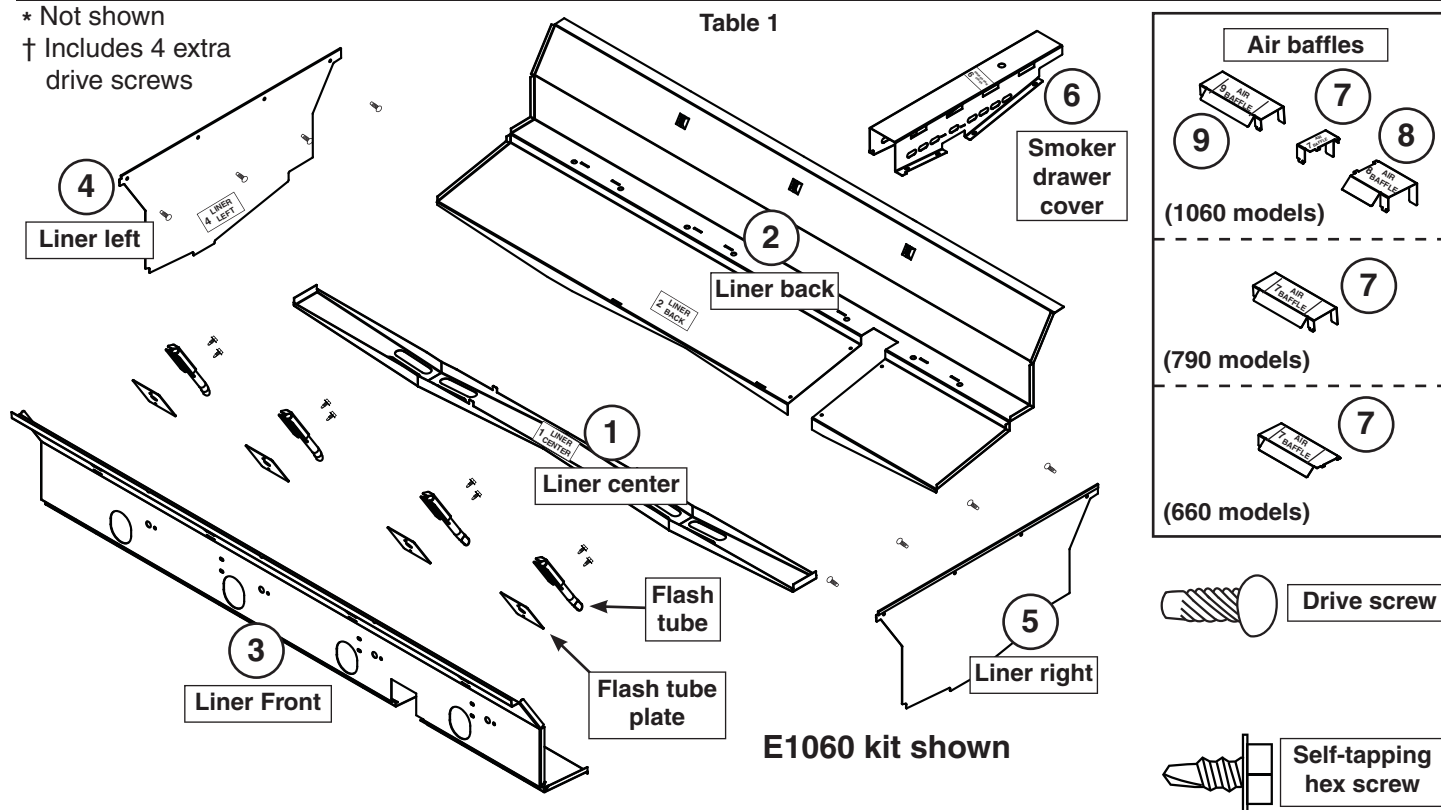
Model # 24183-RLK
24188-RLK
24193-RLK



Model	Part No.	Parts List								
		Firebox liner pieces	Smoker drawer cover	Air baffle	Flash tube	Flash tube plate	Drive screw †	Self-tapping hex screw	Flavor grid *	Drill bit (2mm)*
E1060	24183-RLK	5	1	3	4	4	12	16	4	2
E790	24188-RLK	5	1	1	3	3	12	14	3	2
E660	24193-RLK	5	1	1	3	3	12	14	3	2

* Not shown

† Includes 4 extra drive screws



This firebox liner kit is for installation on Echelon grills. Installation on an E1060 is depicted in this instruction.

READ THESE INSTRUCTIONS CAREFULLY BEFORE STARTING INSTALLATION.

Tools required: Gloves, Phillips screwdriver, power drill, 3/32" drill bit, rubber mallet, pliers, needle-nose pliers, hammer, and a 1/4" nut driver (or equivalent).

Be sure the grill is completely cool and the gas is completely shut off.

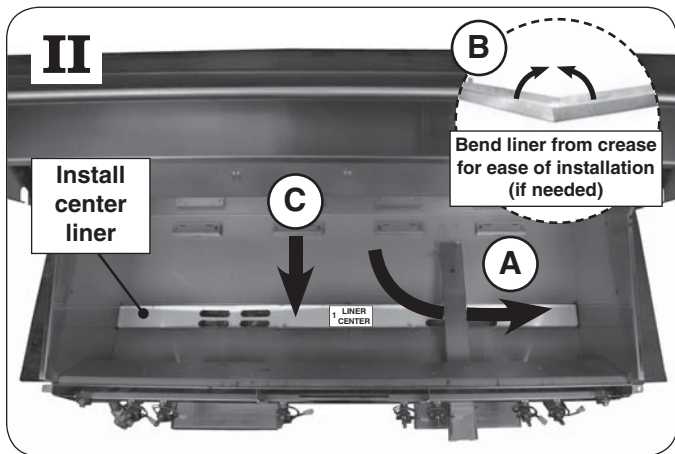
IMPORTANT: CLEAN THE INTERIOR OF THE GRILL OF ALL DEPOSITS AND GREASE PRIOR TO INSTALLING THE FIREBOX LINER KIT.

Note: Wear gloves whenever installing and handling this liner kit as some components have sharp edges.

I As applicable, remove the warming rack, cooking grids, flavor grids, zone separators, burners, burner igniters, infrared burners, infrared burner igniters, air baffles, and flash tubes. Open the control panel. If the smoker drawer assembly is not welded down, remove it as well. Reference your owner's manual for removal details if needed.

Note: The flavor grids, air baffles, and flash tubes that are being removed from your grill are no longer needed and may be discarded. The items included in this kit will replace these parts.

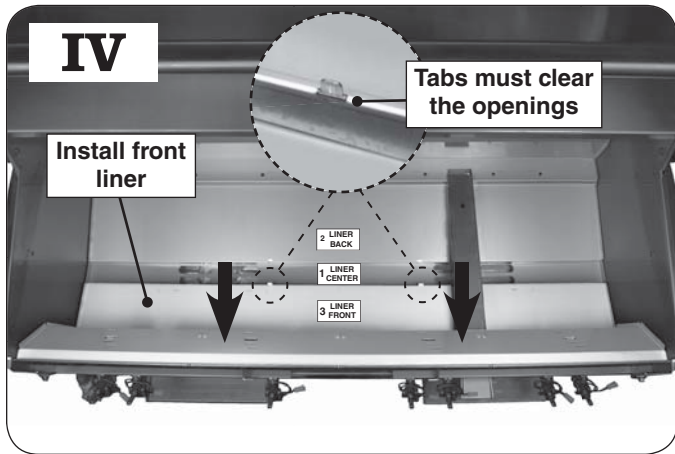
ROBERT H. PETERSON CO. • 14724 East Proctor Avenue • City of Industry, CA 91746



Place the center liner (item 1 of parts list) into the grill drainage channel (A). The liner will need to be bent in order to slide it under the smoker drawer (B). Ensure the liner rests flat in place (C).

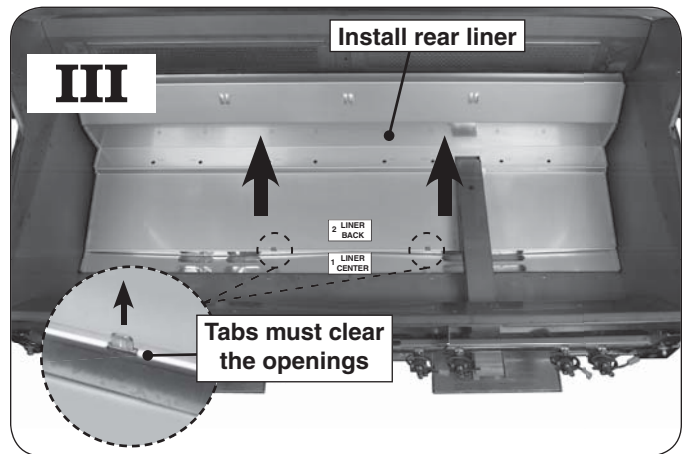
Note: It is recommended to slightly bend the 4 tabs inward to assist in front and rear liner installation.

Note: If smoker drawer assembly was removed, re-install it at this time.



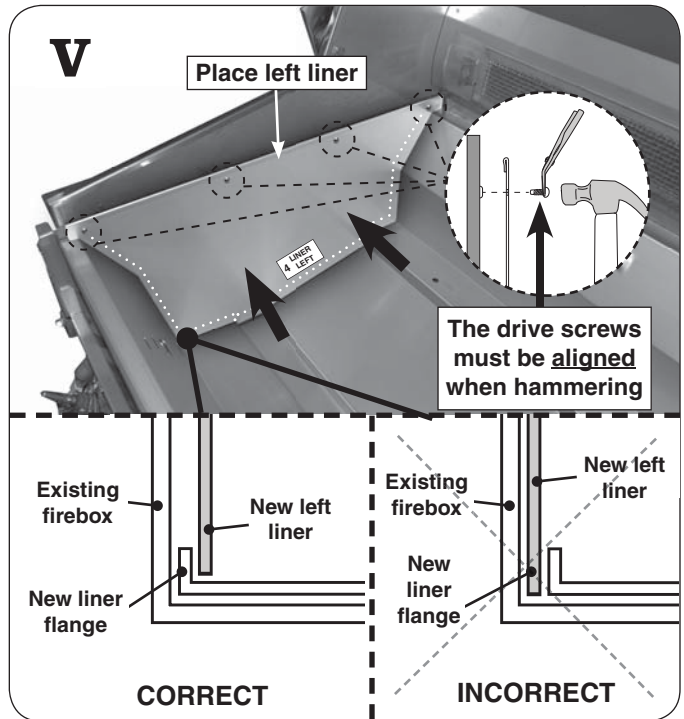
Place the front liner (item 3) ensuring it rests flat against the grill front firebox wall, and the two tabs (on center liner) extend up through the slots in the front liner.

Note: If needed, the thermocouples may be removed for ease of the front liner installation.



Place the rear liner (item 2) ensuring it rests flat against grill rear firebox wall. The two tabs (on center liner) must extend up through the slots in the rear liner.

Note: If needed, use a rubber mallet to assist in proper placement of liner panels.

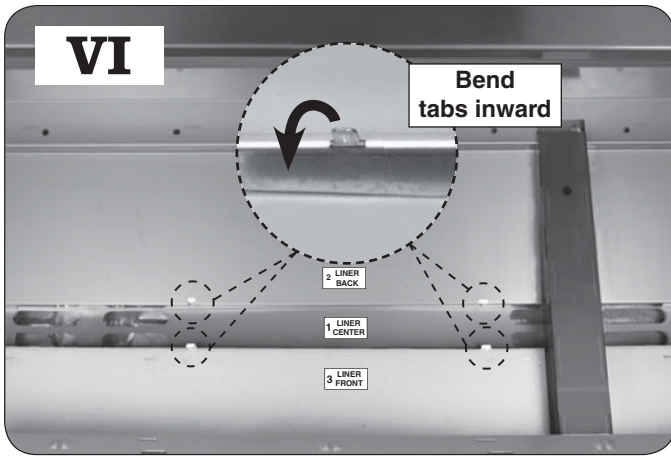


Place the left liner (item 4) as shown above. Rest the liner OVER the front and rear liner flanges (hiding the flanges) and ensure the 4 holes are aligned with the 4 grill wall rivets. To secure the liner, align each drive screw (included in kit) with the corresponding hole and carefully hammer each drive screw into the panel. Use needle-nose pliers to assist in holding the drive screws properly.

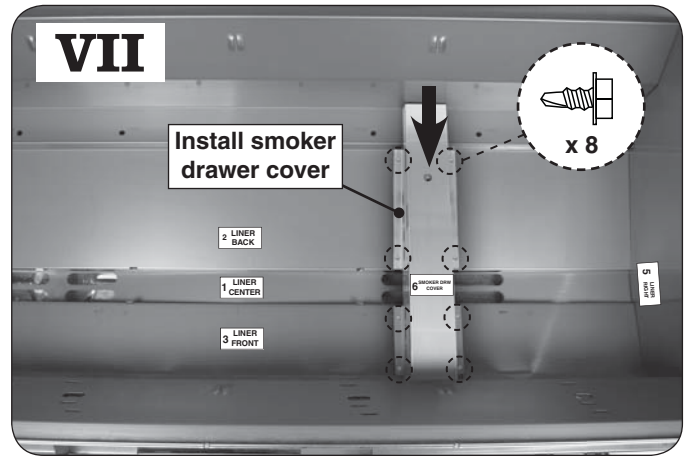
Note: The drive screw will force out the center of the existing rivet. Therefore, ensure to use ample force when driving the screw through the retaining rivet.

REPEAT THIS STEP FOR THE RIGHT LINER (item 5).

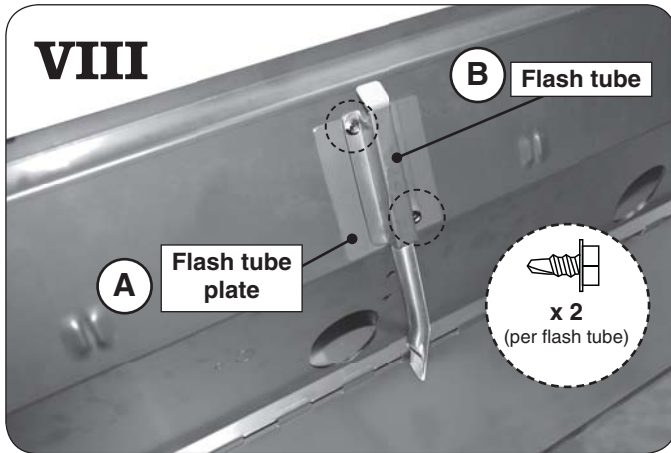
Procedure continued on next page



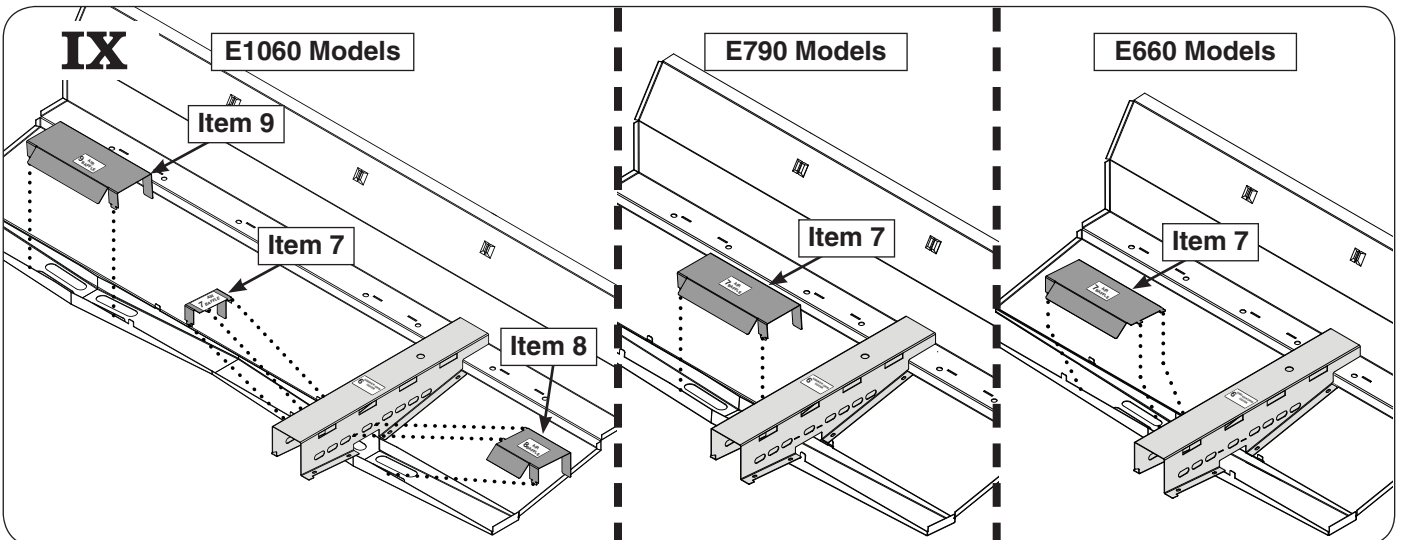
Using pliers, bend in the four tabs inward toward the middle of the center liner to lock the liner panels together.



Pre-drill pilot holes through the original grill liner using the supplied drill bits. Place the smoker drawer cover (item 6) ensuring it rests flat on the original smoker drawer. Fasten using the provided self-tapping hex screws and a 1/4" nut driver or equivalent.



Install the provided flash tube and flash tube plate by aligning the plate (A) and flash tube (B) to the original liner mounting holes. Using a 1/4" nut driver or equivalent, affix with the supplied hex screws. Repeat this procedure for the other flash tubes.



Install the air baffles according to your model above. To properly install, the tabs must slide into the slots located on the liners.

X

Install the burners, burner igniters, infrared burners (if applicable), infrared burner igniters (if applicable), thermocouples (if removed), zone separators, new flavor grids, the control panel, cooking grids, and warming rack. Reference your owner's manual for installation details if needed.

NOTES PAGE

Please use this page to record any information about your unit that you may want to have at hand.