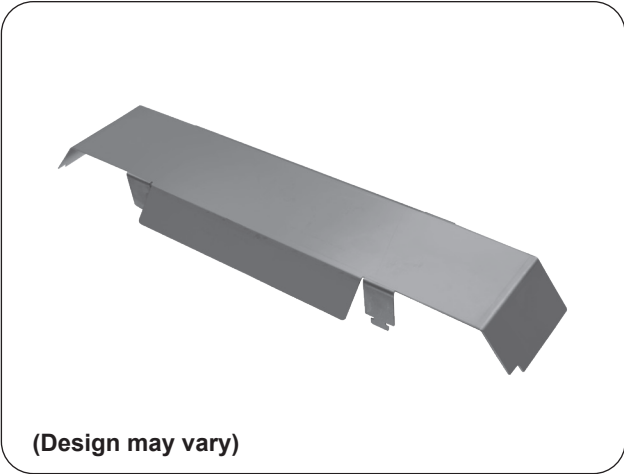




Air Baffle Replacement

Model # 24194-40
24194-41

INSTALLER: Leave these instructions with consumer.
CONSUMER: Retain for future reference.



This air baffle is for installation on Echelon Diamond*, Aurora, Combo, and Choice Series grills only.

Note: * Echelon Diamond 1060 models and Echelon Diamond stand alone grills with smoker drawers are NOT compatible with this air baffle.

To install, follow the steps below:

1. Ensure the grill is completely cool and the gas is completely shut off.
2. Remove the middle cooking grid, middle flavor grid, the zone dividers, and middle burner. See Fig. 1-1.
3. Remove the existing air baffle and discard. See Fig. 1-2.
4. Install the new air baffle by inserting the two front tabs into the slots on the grill. See Fig. 1-3.
5. Replace all of the components removed for this procedure.

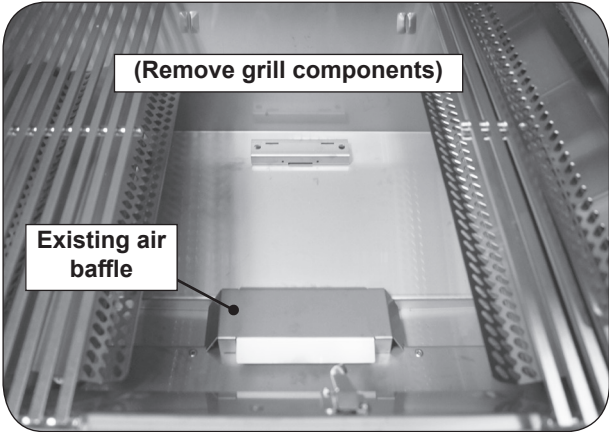


Fig. 1-1 Remove grill components

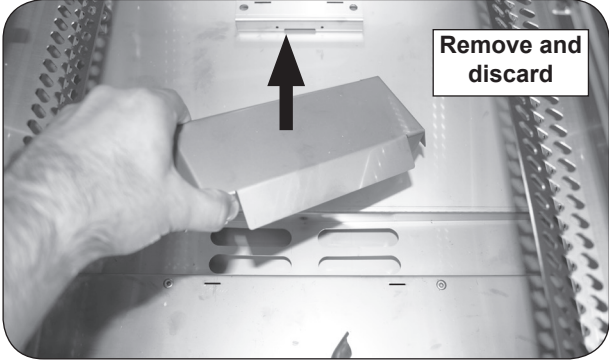


Fig. 1-2 Remove existing air baffle

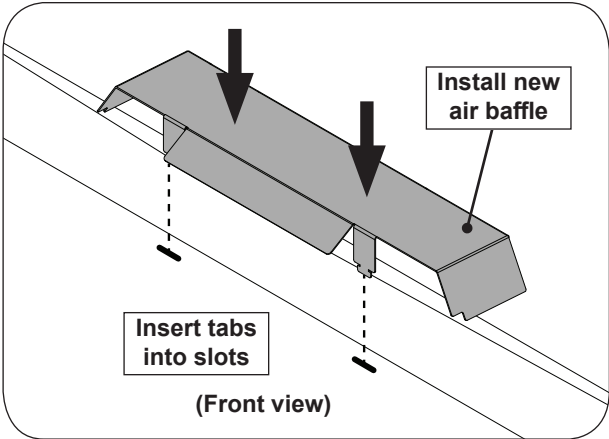


Fig. 1-3 Install new air baffle