



# Gas Connection Box with Timer

Model # 5520-11T  
5520-13T

**INSTALLER:** Leave these instructions with consumer.  
**CONSUMER:** Retain for future reference.



3-Hour model shown

### WARNING: AFTER EACH USE:

- MAKE CERTAIN THAT THE APPLIANCE CONTROL KNOBS ARE IN THE OFF POSITION
- IF TIMER IS ON, SLOWLY TURN IT TO THE OFF POSITION
- TURN OFF THE PRIMARY GAS SUPPLY SHUT-OFF VALVE TO COMPLETELY SHUT OFF THE GAS TO THE APPLIANCE

This timer box can be installed in a Fire Magic GFRC island, or a custom-built enclosure.

### INSTALLATION REQUIREMENTS

- Box MUST be installed in accordance with local codes or, in the absence of local codes, in accordance with the National Fuel Gas Code ANSI Z223.1/NFPA54, or the Natural Gas & Propane Installation Code, CSA B149.1, as applicable.
- Box MUST be installed in a grill enclosure in such a way that it is easily accessible to the rear of the box for gas connection, maintenance, and service.
- Fire Magic GFRC islands meet all enclosure and ventilation requirements. For requirements regarding custom-built enclosures, see the GRILL ENCLOSURE / VENTILATION REQUIREMENTS section of your grill owner's manual. Observe all codes.
- Box MUST be installed in-line between the required primary gas supply shut-off valve and the gas appliance.
- Timer MUST NOT be used as the primary gas supply shut-off valve.
- Box MUST be installed a minimum of 10" away from the appliance or it will overheat, causing damage to the timer and may result in a leak.
- Box MUST be installed within 6 feet of the appliance.
- Use pipe joint compound resistant to all gasses on all NPT fittings except flare fittings. Be sure to leak test at all connections.

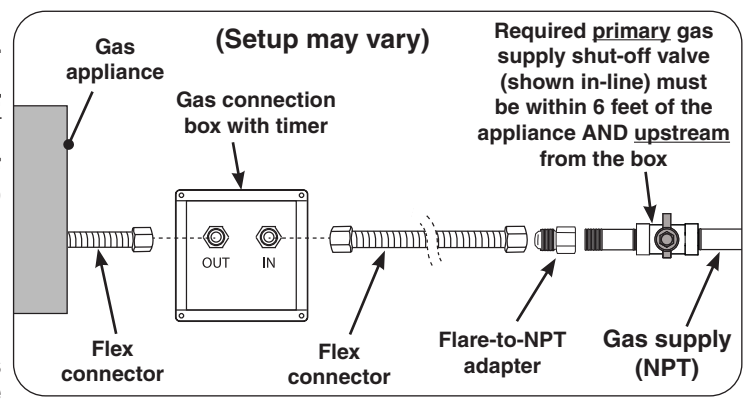


Fig. 1-1 Box installation overview

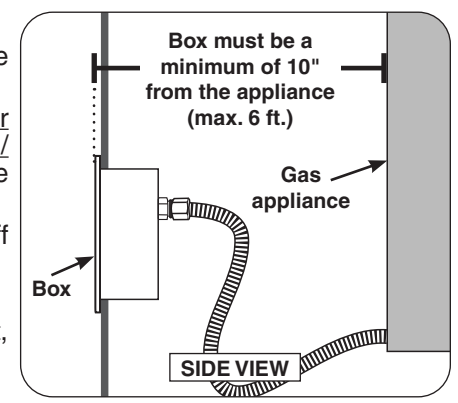


Fig. 1-2 Box clearance

### Specifications

- Box dimensions: 7<sup>3</sup>/<sub>4</sub>" W x 7<sup>3</sup>/<sub>4</sub>" H x 2<sup>1</sup>/<sub>2</sub>" D
- 100,000 B.T.U., Natural Gas @ 0.6 SP. @ 7" w.c.
- 100,000 B.T.U., Propane Gas @ 1.53 SP. @ 11" w.c.
- Maximum working pressure not to exceed 1/2 P.S.I.G.
- Maximum ambient operating range: from 0° F (-18° C) to 150° F (65.6° C).

The gas hoses should be flexible/long enough to allow the box to be pulled out of the enclosure for leak testing during installation.

### INSTALLATION

In addition to following the CONNECT GAS SUPPLY section of the gas appliance owner's manual, install the box in the gas supply line (between the shut-off valve and the appliance).

Follow ALL information found in the requirements section above, in the gas appliance owner's manual, in Fig. 1-1, Fig. 1-2, and on the following page.

Installation continued on next page

## INSTALLATION (Continued)

1. Create box cutout in grill enclosure (see Fig. 2-1).
2. Using two wrenches, connect the flex connector coming from the appliance to the 1/2" **flare adapter labeled OUT**. See Fig. 2-2, A. Ensure the connection is tightened securely.
3. Using two wrenches, connect a flex connector (not included) to the 1/2" **flare adapter labeled IN**. See Fig. 2-2, B. Ensure the connection is tightened securely.
4. Carefully check *all* gas connections for leaks with a brush and soapy water before lighting. **NEVER USE A MATCH OR OPEN FLAME TO TEST FOR LEAKS.**
5. Install box and secure to enclosure. Mounting hardware not included.

## OPERATION (1-hour model)

To use, set the dial (turn clockwise) to the desired time to shut off. The dial is marked in 3 twenty minute increments (any position in between is an estimate of that set time). The timer dial will auto rotate (counter-clockwise) and will shut off the gas supply when the dial reaches OFF (i.e. the desired time is completed).

**Important:** When using the timer for periods of less than twenty minutes, you must first turn the dial past 20 minutes (to activate), then return (counter-clockwise) to the desired amount of time. This will ensure proper timer operation. See Fig. 2-3.

## OPERATION (3-hour model)

To use, set the dial (turn clockwise) to the desired time to shut off. The dial is marked in 3 one hour increments (any position in between is an estimate of that hour). The timer dial will auto rotate (counter-clockwise) and will shut off the gas supply when the dial reaches OFF (i.e. the desired time is completed).

**Important:** When using the timer for periods of less than one hour, you must first turn the dial past 1 hour (to activate), then return (counter-clockwise) to the desired amount of time. This will ensure proper timer operation. See Fig. 2-4.

### WARNING: AFTER EACH USE:

- **MAKE CERTAIN THAT THE APPLIANCE CONTROL KNOBS ARE IN THE OFF POSITION**
- **IF TIMER IS ON, SLOWLY TURN IT TO THE OFF POSITION**
- **TURN OFF THE PRIMARY GAS SUPPLY SHUT-OFF VALVE TO COMPLETELY SHUT OFF THE GAS TO THE APPLIANCE**

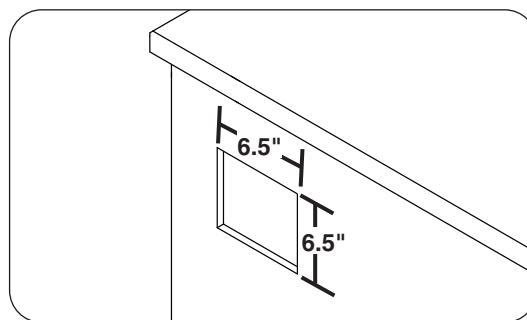


Fig. 2-1 Cut out dimensions

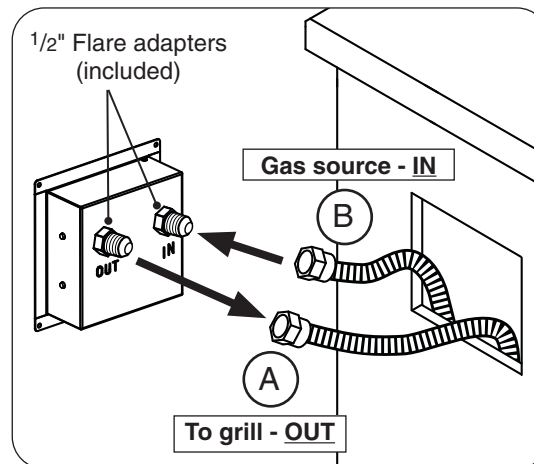


Fig. 2-2 Install timer box

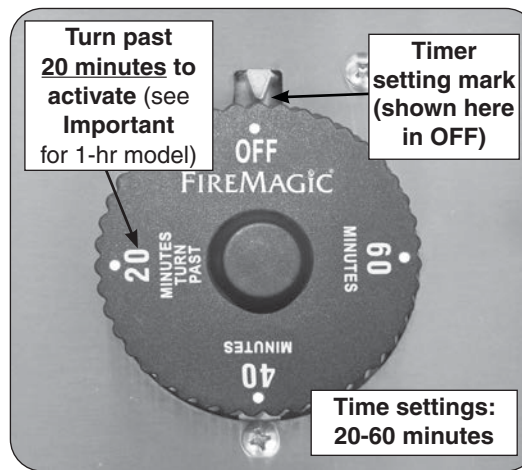


Fig. 2-3 1-Hour timer operation

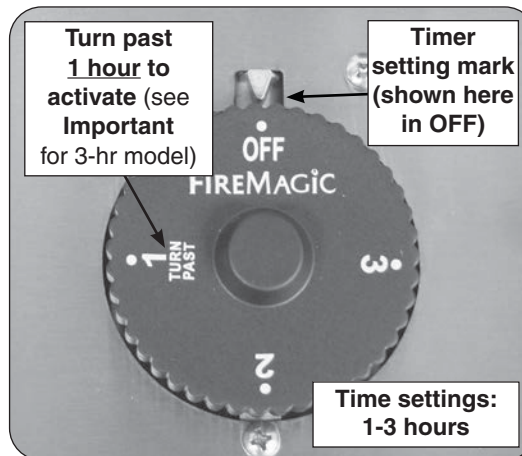


Fig. 2-4 3-Hour timer operation