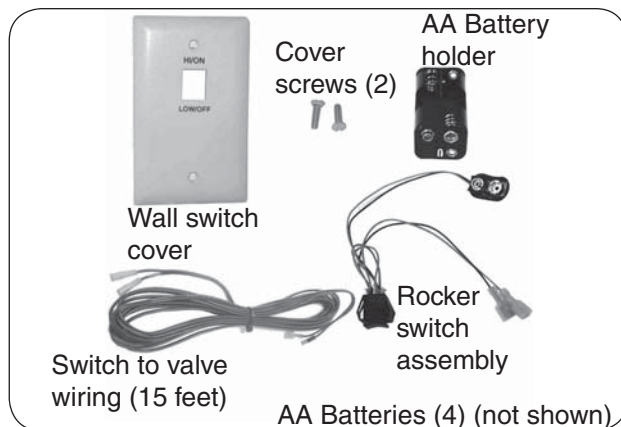




## Wall Switch

Model #: WS-3

**INSTALLER:** Leave these instructions with consumer.  
**CONSUMER:** Retain for future reference.



This wall switch is for installation with a 15 or 17 valve system by a qualified professional service technician.

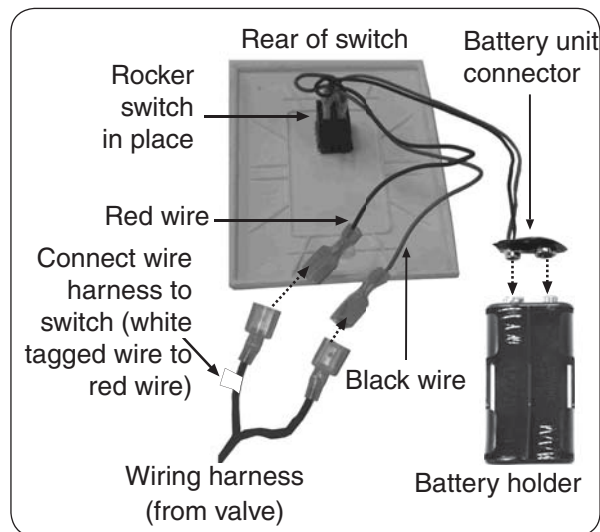
### INSTALL WALL SWITCH

**CAUTION:** Ensure the burner and valve system are OFF and completely cool prior to any installation.

1. Select a location for the wall switch near the fireplace. This needs to be within 15' from the fireplace for the length of wiring supplied, and to supply sufficient millivoltage between the wall switch and the pilot generator.
2. At the wall switch location selected, cut out a clearance hole for direct wall or switch box mounting.

**Note:** Allow enough space to incorporate the battery holder. We recommend using a deep switch box (3" deep or greater).

3. Tie about 6" of chain or a small weight to a cord to create a plumb line. Hang the plumb line from the wall switch location to the top of the wall baseboard. Immediately below the wall switch location, as indicated by the plumb line, drill a 1/2" to 3/4" hole.
4. Lower the plumb line through the switch location hole, within the stud space, down to the baseboard level. Pull the chain or the weight out of the 1/2" to 3/4" hole at the baseboard using a stiff hooked wire (a bent wire coat hanger works well).
5. Remove the weight or the chain from the plumb line. Tie one end of the wire cable to the plumb line and pull the plumb line back up through the wall switch location to expose several inches of wire.
6. Feed the rocker switch assembly wiring through the front of the wall switch cover, and snap the rocker switch into place (see Fig. 1-1).
7. Connect the two terminals on the rocker switch to the two terminals on the valve wiring (see Fig.1-1). Ensure a tight connection.
8. Connect the battery holder to the connector coming from the rocker switch assembly (see Fig. 1-1). Insert 4 AA batteries in the battery holder, ensuring the polarities are correct.
9. Attach the wall switch cover to the switch box using the 1/4" machine screws supplied.



**Fig. 1-1** Installation overview

## Connect To 15 Valve

1. Attach the LARGE female connector of the switch to valve wire to the **OUTER** male spade located on the valve (see Fig. 2-1). Attach the SMALLER female connector to the **INNER** male spade on the valve.

**Note:** This unit does not require an outside electrical source.

2. Follow all instructions supplied with your burner / valve system to complete installation.

## Connect To 17 Valve

**Note:** Contact your dealer for wire harness option specific to the 17 valve.

1. Attach the male connector from the switch to female connector on the valve located on the back of the valve (see Fig. 2-1).

**Note:** This unit does not require an outside electrical source.

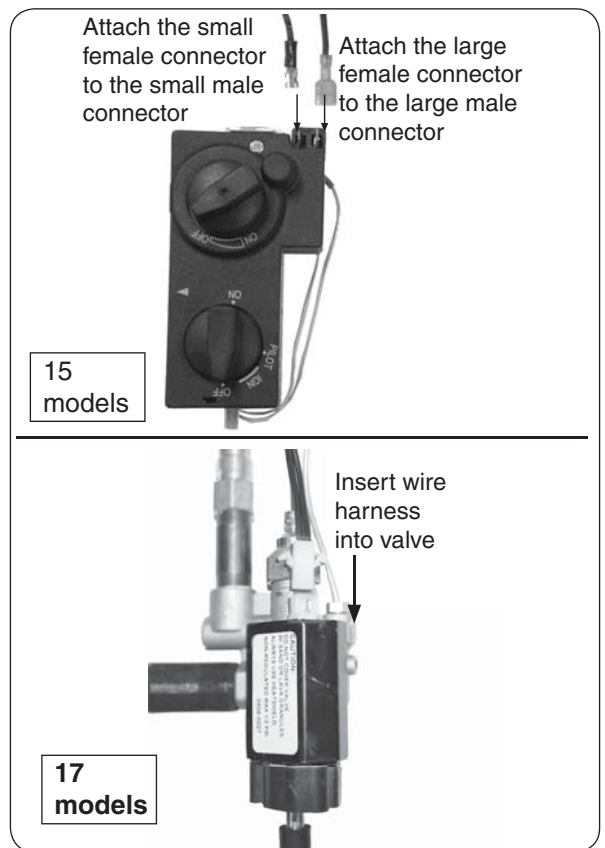
2. Follow all instructions supplied with your burner / valve system to complete installation.

## OPERATION

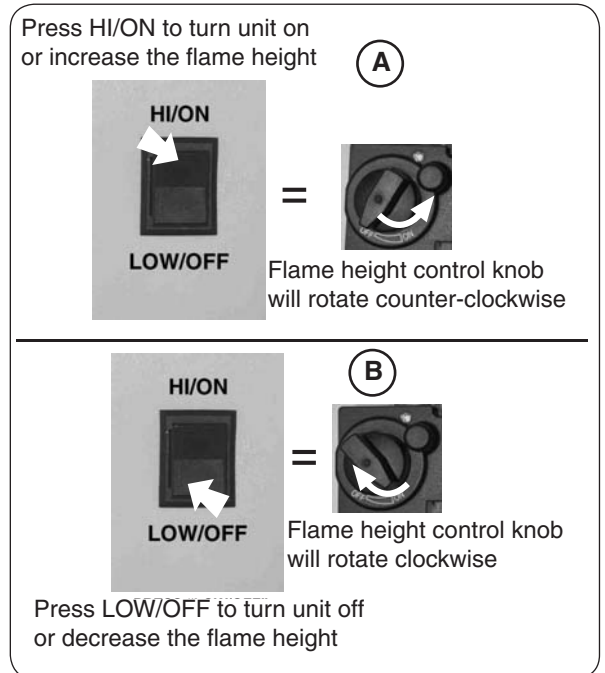
**Light the pilot according to the lighting instructions supplied with your burner / valve system.**

To use the wall switch to control the flame height, press HI/ON and the flame height control knob will rotate counter-clockwise, turning the main burner on, and increasing the flame height to your desired level (see Fig. 2-2, A). To reduce the flame height, press LOW/OFF. To turn the main burner off, hold the LOW/OFF switch down until the flame is extinguished (see Fig. 2-2, B). Pilot will remain lit. See instructions supplied with your burner / valve system for complete shut off.

**FOR YOUR SAFETY**, never leave your burner system operating unattended. Be sure all cautions and warnings are observed in your burner / valve system owner's manual.



**Fig. 2-1** Connect to valve



**Fig. 2-2** Switch operations