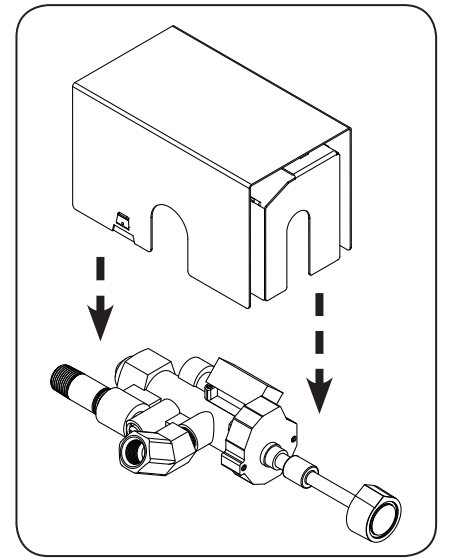


TO PREVENT VALVE
DAMAGE AND FAILURE:

**IT IS CRITICAL THAT THE HEAT SHIELD
BE PLACED CORRECTLY OVER THE
VALVE PRIOR TO OPERATION.**

(REFER TO OWNER'S MANUAL)



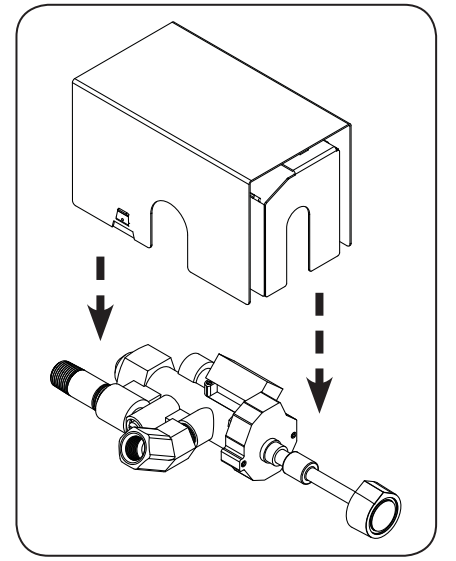
REV 1 - 1411120710

L-A2-379

TO PREVENT VALVE
DAMAGE AND FAILURE:

**IT IS CRITICAL THAT THE HEAT SHIELD
BE PLACED CORRECTLY OVER THE
VALVE PRIOR TO OPERATION.**

(REFER TO OWNER'S MANUAL)



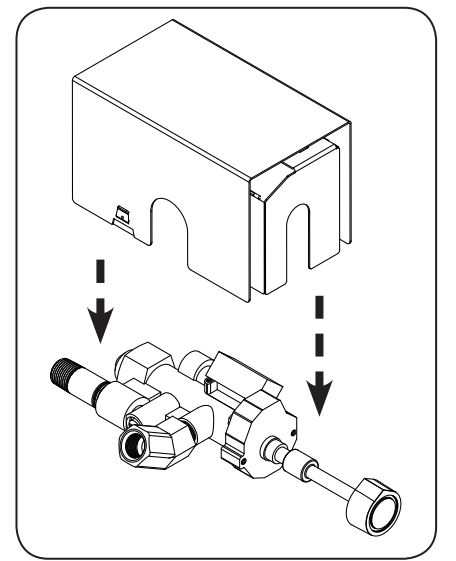
REV 1 - 1411120710

L-A2-379

TO PREVENT VALVE
DAMAGE AND FAILURE:

**IT IS CRITICAL THAT THE HEAT SHIELD
BE PLACED CORRECTLY OVER THE
VALVE PRIOR TO OPERATION.**

(REFER TO OWNER'S MANUAL)



REV 1 - 1411120710

L-A2-379