

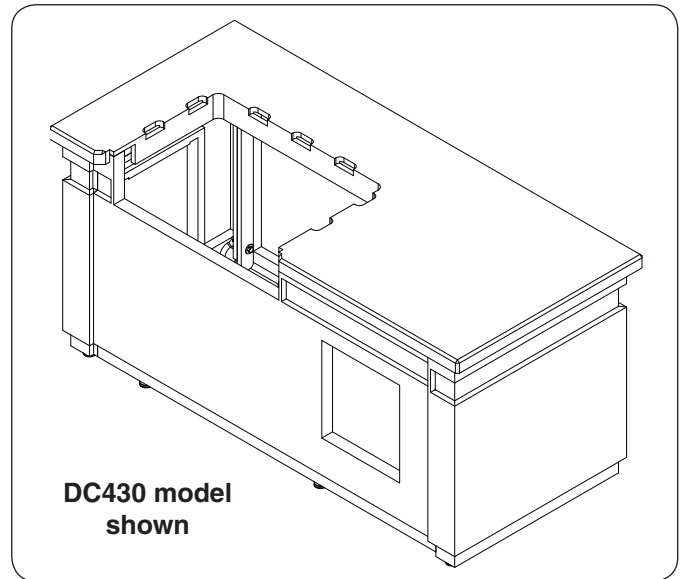


PRE-FAB GRILL ISLAND

Model #: DC430-XXD-75ASM

ASSEMBLY INSTRUCTIONS AND OWNER'S MANUAL

INSTALLER: Leave these instructions with consumer.
CONSUMER: Retain for future reference.



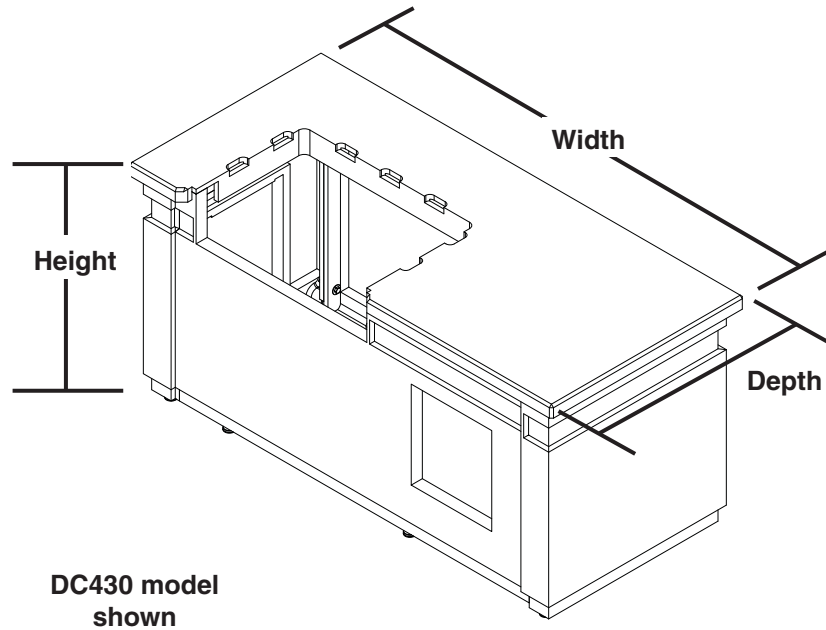
IMPORTANT: READ THESE INSTRUCTIONS CAREFULLY BEFORE STARTING INSTALLATION OR USE.

- Only A.O.G. grills and accessories can be used with this grill island.
- A.O.G. grill and accessories are not included. Contact your dealer for ordering information.
- When installing an L.P. cylinder within this island, it must be installed with an A.O.G Door w/ Tank Tray and Louvers:
Model #s 20-14-SSD (RV, LV)
- **Follow all instructions included with the grill and accessories to be installed into this island.**
- This grill island design provides all necessary ventilation.

SPECIFICATIONS AND DIMENSIONS

Description	Dimension
Height	36"
Width	76 1/4"
Depth	34 3/4"

Table 1 - Overall Island Dimensions

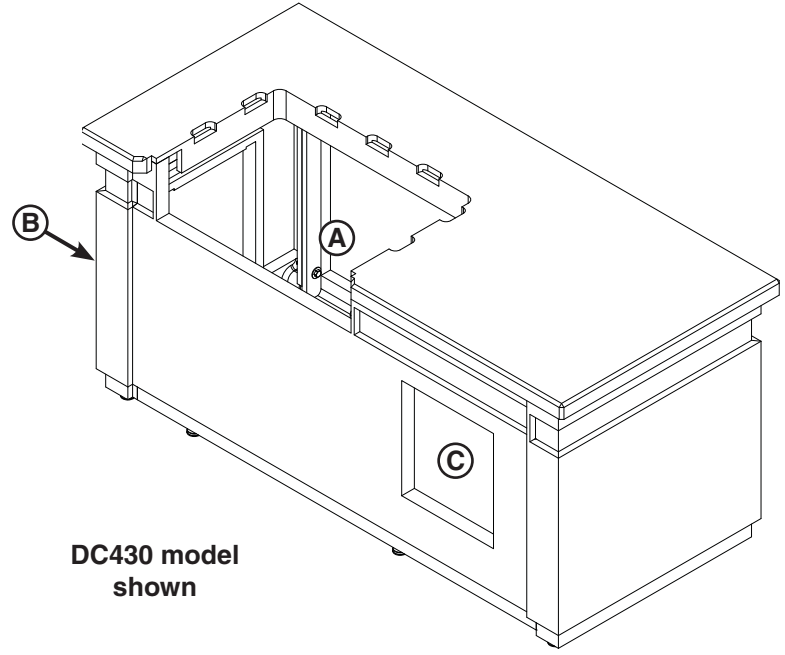


SPECIFICATIONS AND DIMENSIONS (Cont.)

Only A.O.G. grills and accessories can be used with this grill island. Below is a list of the options available for each island model. Contact your local dealer for ordering information.

Item	Option(s)
Grill (A)	30(N,P)B
End Panel Door (B)	20-14-SD, 20-14-SDV, 20-14-SSD(L,R), 20-14-SSD(LV, RV)
Under Grill Drawer (C)	16-15-DSSD

Table 2 - Island Options



PARTS LIST

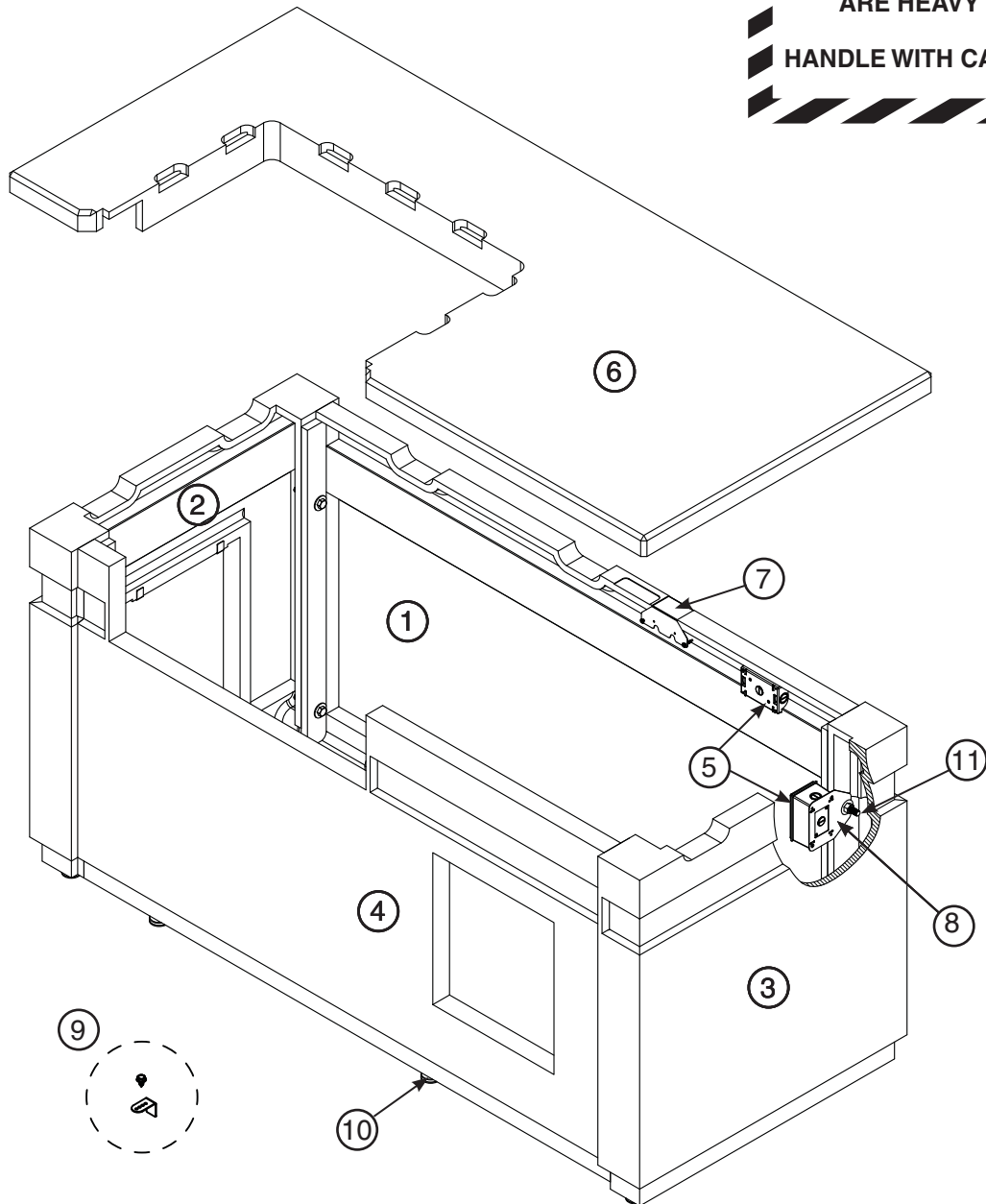
Item	Description	Qty.
1.	Rear wall	1
2.	Left wall	1
3.	Right wall	1
4.	Front wall	1
5.	Duplex outlet box assy.	2
6.	Countertop	2
7.	Power supply box bracket (w/ Phillips screws)	1
8.	Outlet bracket	1
9.	Door bracket (w/ hex screw)	8
10.	Leveler bolts	8
11.	Hex bolt, 1/2"-13 x 3"	8
12.	Nut *	8
13.	Washer *	16

* Not shown

- Your grill island is packaged onto 1 pallet.
- Select model is illustrated (your model may vary)

IMPORTANT
Remove all packing material (including any protective coatings) and discard prior to use.

**COMPONENTS ARE HEAVY
HANDLE WITH CARE**



DC430 model shown

ASSEMBLY AND INSTALLATION

WARNING: Failure to position the parts in accordance with these diagrams or failure to use only parts specifically approved with this unit may result in property damage or personal injury.

TOOLS REQUIRED

- $\frac{3}{4}$ " open end wrench, or equivalent (2)
- Power drill with $\frac{5}{16}$ " hex driver and #2 Phillips driver
- Level

LOCATION

While following all requirements and safety information in the grill owner's manual, determine and prepare the location of the island (a hard and level surface).

Note: A combustible surface is permitted.

Important: For models with underneath gas installs, the gas supply must be routed to the location the grill island will rest over at this stage.

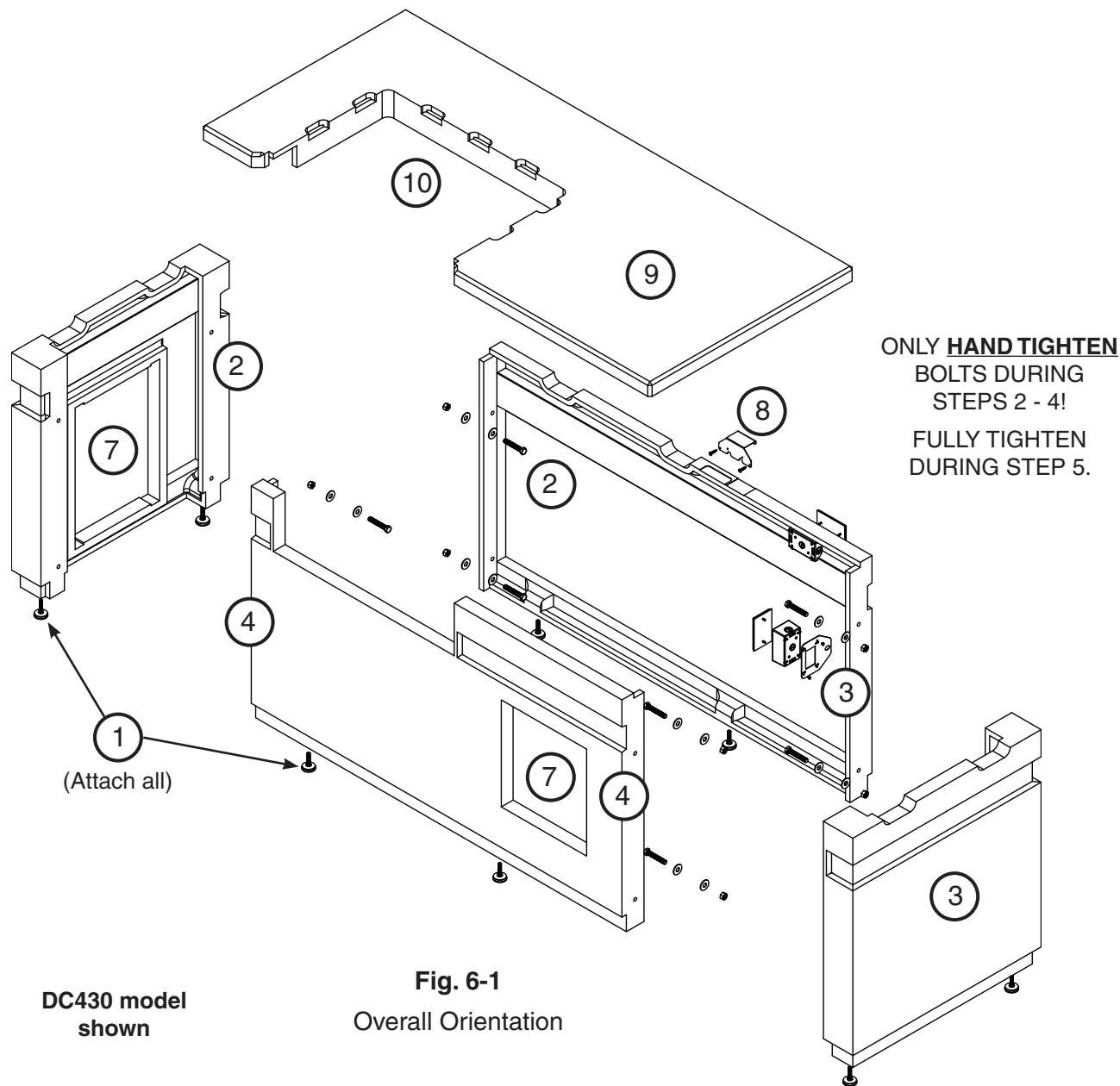
**ASSEMBLY AND INSTALLATION REQUIRES TWO OR MORE PEOPLE.
EXERCISE EXTREME CARE DURING ASSEMBLY AND INSTALLATION.**

ASSEMBLY AND INSTALLATION (Cont.)

ASSEMBLY AND INSTALLATION - OVERVIEW

CAUTION: Island components are heavy. **CAREFULLY** handle all components during assembly.

- Fig. 6-1 provides an overall orientation and bolt assembly detail for the island.
- This section is just an overview, refer to the following step-by-step section for complete assembly (and grill/accessory installation) details.



ASSEMBLY / INSTALL OVERVIEW

- | | | |
|---|--|--|
| 1. Attach levelers | 5. Adjust levelers to level top surfaces of unit evenly, ensure unit is square, then fully tighten all bolts (not shown) | 8. Install power supply box (only bracket shown) |
| 2. Assemble rear & left wall | 6. Install electrical (not shown) | 9. Place countertop |
| 3. Assemble right wall & install outlet box | 7. Install drawer and door | 10. Install grill |
| 4. Assemble front wall | | |

ASSEMBLY AND INSTALLATION (Cont.)

ASSEMBLY AND INSTALLATION - STEP BY STEP

CAUTION: Island components are heavy. CAREFULLY handle all components during assembly.

Island Base

Important: DO NOT fully tighten bolts until the island base is leveled and squared. Hand tighten until instructed to fully tighten.

1. Locate the island pieces in an appropriate location (refer back to the LOCATION section if needed).
2. Carefully lay the front wall down and attach the levelers. Repeat for the rear wall and two side walls. See Fig. 7-1.

Important: The levelers are required for ventilation and leveling purposes.

3. Orient the rear wall and left wall as shown. Carefully align the pilot holes, and insert the hardware in the order shown. Hand tighten only. See Fig. 7-2.

Note: DO NOT fully tighten any bolts until all 4 walls are set and the top surface is even.

4. Orient the right wall and repeat the hardware installation process for the bottom hardware first. Ensure the top pilot holes are aligned.

An outlet box assembly is provided and requires installation. Assemble the box as shown, then use the hardware to secure both the top of the right wall and the outlet box in place. See Fig. 7-3 and 7-4.

Note: Covers are provided for any outlets that will not be used (if applicable).

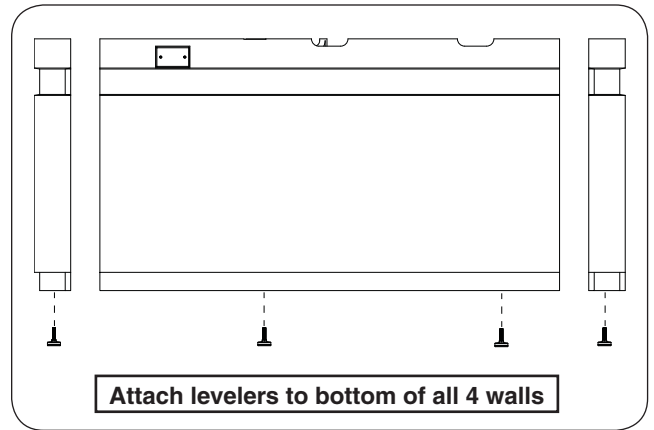


Fig. 7-1 Attach levelers

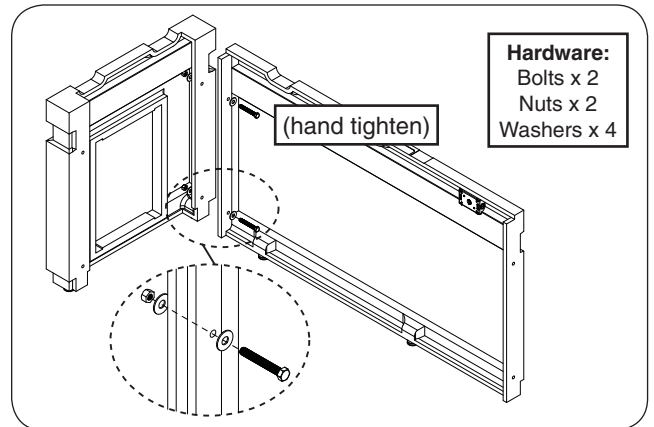


Fig. 7-2 Assemble rear and left wall

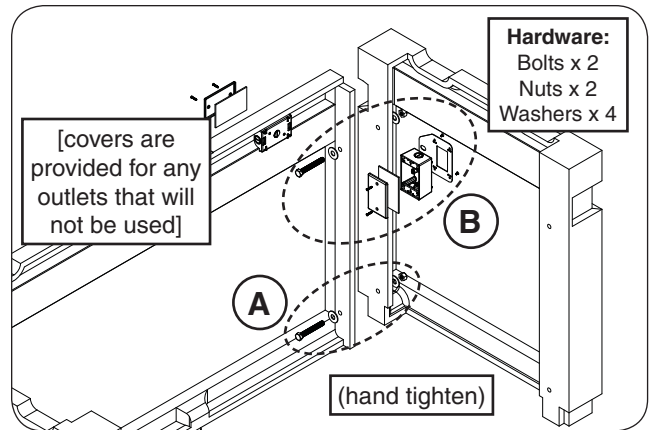


Fig. 7-3 Assemble right wall and outlet box

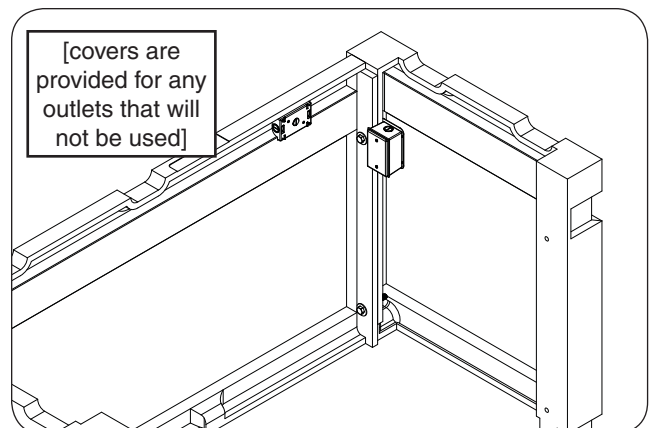


Fig. 7-4 Right wall and outlet box installed

ASSEMBLY AND INSTALLATION (Cont.)

5. Orient the front wall and repeat the hardware installation process (on left side only). See Fig. 8-1.
6. Use the level to ensure the top surfaces of the assembly are level. The levelers at the bottom of the island may be adjusted as needed. See Fig. 8-2.
7. Check for squareness of the island.
 - a. Measure the X outer dimension, see Fig. 8-3. It should be approximately 79 $\frac{3}{4}$ ".
 - b. Measure the Y outer dimension, see Fig. 8-3. Carefully adjust the side walls as needed to ensure the X & Y dimensions are equal. (The final dimension may slightly vary from that mentioned in step a.)
8. Once the assembly is level and square, use the two $\frac{3}{4}$ " open end wrenches (or equivalent) to fully tighten all hardware. **DO NOT OVERTIGHTEN.**

Note: Tightening of the hardware may slightly alter the setup. Check once more to ensure the island is level and square, and adjust if needed.

Install Electrical

Have a licensed electrician route the electrical setup for your island. Two outlet boxes are available. The primary box is located on the interior of the right wall. An additional box exists at the top of the rear wall. See Fig. 8-4.

Your installation may vary. Observe all local codes.

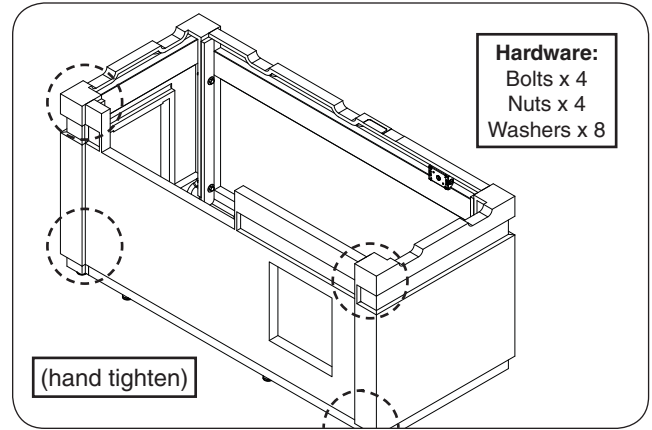


Fig. 8-1 Assemble front wall

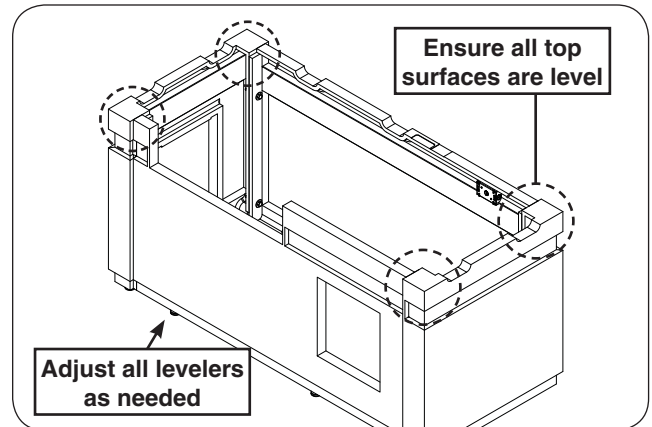


Fig. 8-2 Level assembly

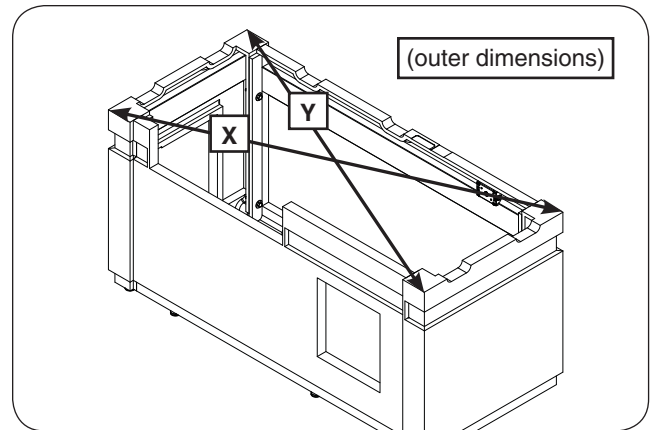


Fig. 8-3 Square unit (then tighten bolts)

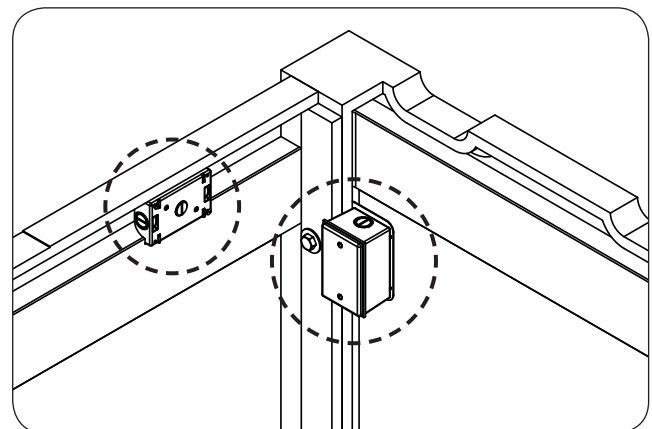


Fig. 8-4 Install electrical (as needed)

Install Drawer and Door

The drawer and door for your island are purchased separately. Review the instructions provided with your accessories. See Fig. 9-1 for install locations.

Brackets are provided for ease of installation in this island.
Follow the steps below.

1. Insert your drawer completely into the appropriate opening. Ensure it is flush against the exterior wall (see Fig. 9-1 and Fig. 9-2, A).
2. The drawer will have 2-4 oblong cutouts (or round holes) on both the top and bottom of its frame. Insert a bracket where a cutout exists, **below the frame**. See Fig. 9-2, B.
3. While squeezing the rear of the bracket and the front of the drawer frame **firmly** against the concrete wall, insert a hex screw and tighten with the power drill and $\frac{5}{16}$ " hex driver (see Fig. 9-2, C). **DO NOT OVERTIGHTEN.**

Note: Certain models may require a second person to hold the bracket against the concrete wall from within the island enclosure.

4. Repeat this process for the remaining brackets and the door in the island.

Note: Only the cutouts in the top and bottom of the frames require brackets.

Alternatively, the drawer and door may be installed by fastening them into the island using #8 x 1" concrete screws (not provided). **DO NOT OVERTIGHTEN.**

Use a power drill and a $\frac{1}{8}$ " bit to drill all pilot holes needed (through the frame pilot holes). Then install the screws as shown in Fig. 9-3.

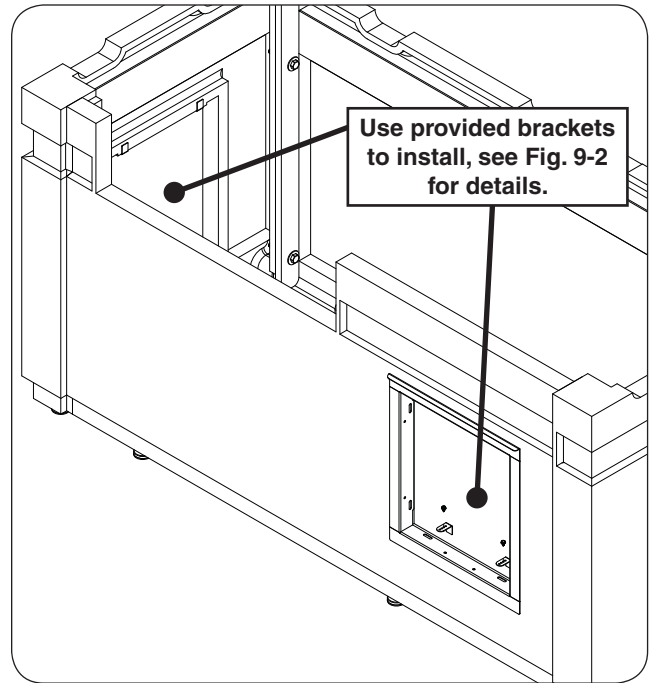


Fig. 9-1 Door and drawer install locations

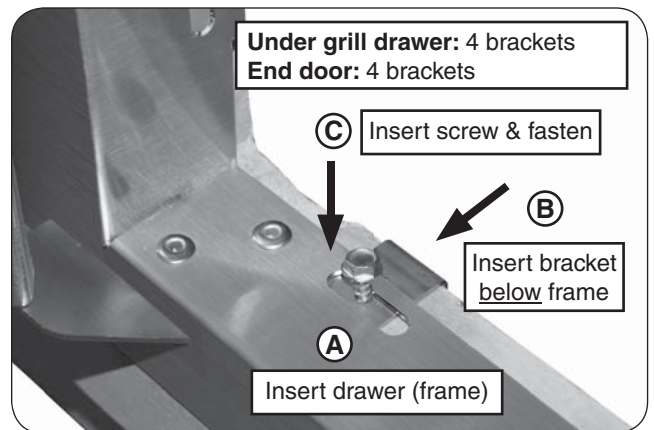


Fig. 9-2 Door / drawer install detail

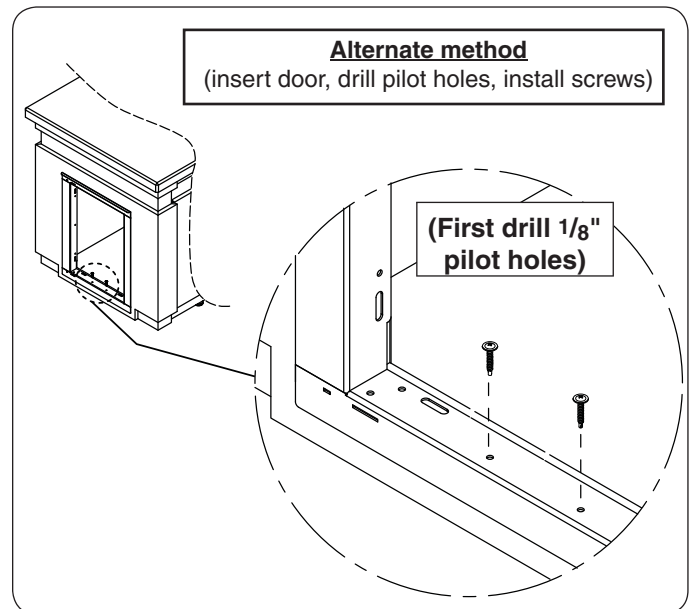


Fig. 9-3 Alternate door/drawer install method

NOTES

ASSEMBLY AND INSTALLATION (Cont.)

Install Power Supply Box

A power supply box is included with your grill and requires installation.

CAUTION: Refer to the grill owner's manual for all safety information regarding the power supply box.

A bracket is provided for installation in this island. Follow the steps below.

1. **First** place the power supply box bracket over the rear wall, in the groove just to the right of the heat shield (see Fig. 11-1).
2. Align the pilot holes on the power supply box with the holes on the bracket, then insert the two Phillips screws and tighten with the power drill and #2 Phillips driver (see Fig. 11-1). **DO NOT OVERTIGHTEN.**

Note: Power supply box design may vary.

Place Countertop

Apply silicone along the top of island. Then place the countertop onto the island as shown in Fig. 11-2. Be sure to align the cutout(s) in the countertop with the opening(s) in the front wall.

Install Grill

The grill for your island is purchased separately. Follow all instructions provided with your grill for installation. See Fig. 11-3 for install location.

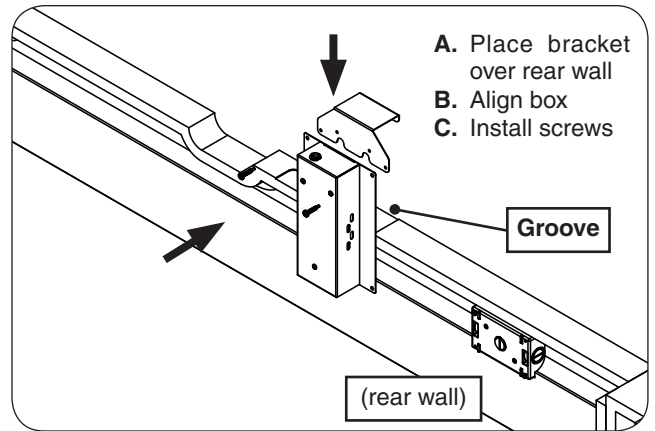


Fig. 11-1 Install power supply box

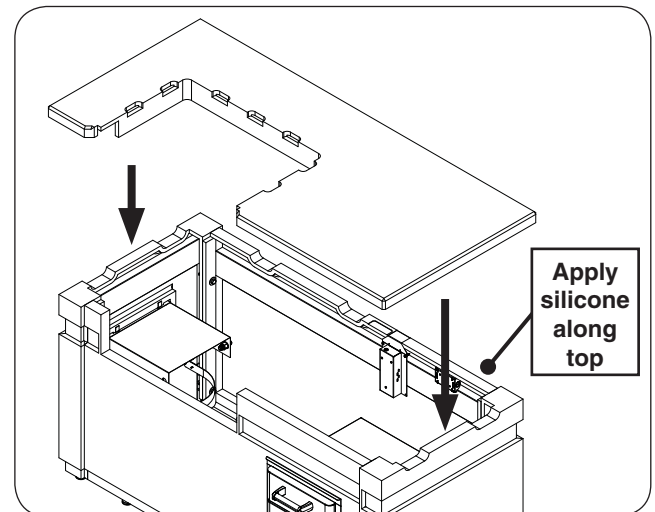


Fig. 11-2 Place countertop

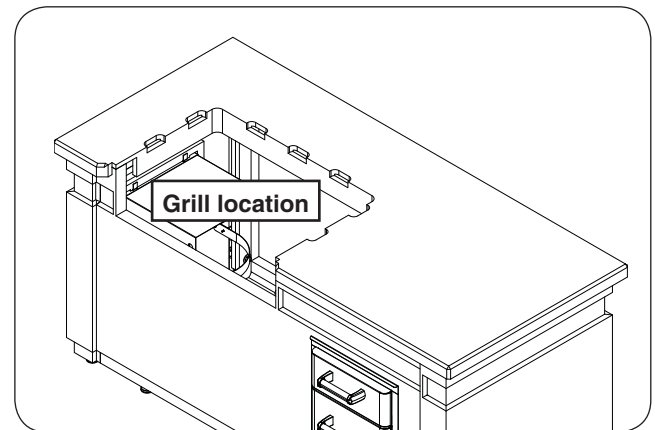


Fig. 11-3 Install grill

CARE AND CLEANING

- **Keep the vent openings and surrounding area of the of the unit clean and free of obstructions at all times.**
- For grill and accessory care and cleaning, refer to the owner's manuals provided with the units.
- **Concrete components**

As with any surface, concrete components require regular maintenance and care. Certain guidelines must be followed to preserve the concrete's appearance and structural integrity.

 - Use trivets to protect your countertop from high-heat.
 - Scratches may occur due to usage. To minimize, avoid striking or dragging heavy, rough, or sharp objects across the countertop. Use a cutting board when using knives.
 - Spotting and hairline cracks may occur due to the nature of the product and are not considered a manufacturing defect.
 - Concrete products are porous and susceptible to discoloration from liquids (especially oils and acidic substances). During use, clean up any spills immediately to prevent any possible staining or damage to the finish. Avoid allowing water (or any liquid / substance) to stand on the surface. Using coasters for drinks is highly recommended.
 - After each use, clean up any food particles or debris.
 - **To clean the concrete, first wash with a mild soap and water solution. For stubborn stains, a vinyl brush may be used. Allow to dry. Annually, follow up with a masonry sealer in order to preserve the finish.**
 - It should be noted that, like natural stone, concrete products will develop a patina when left outside. No two concrete products are identically the same and the finish will vary.