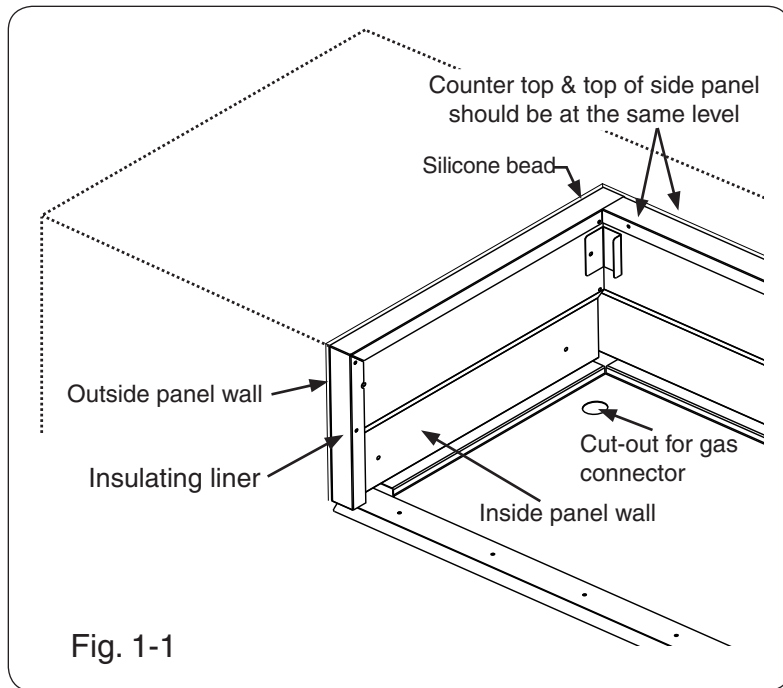




Deluxe / Power Burner / Searing Station Built-in Insulating Liners for Combustible Enclosures

IMPORTANT INFORMATION

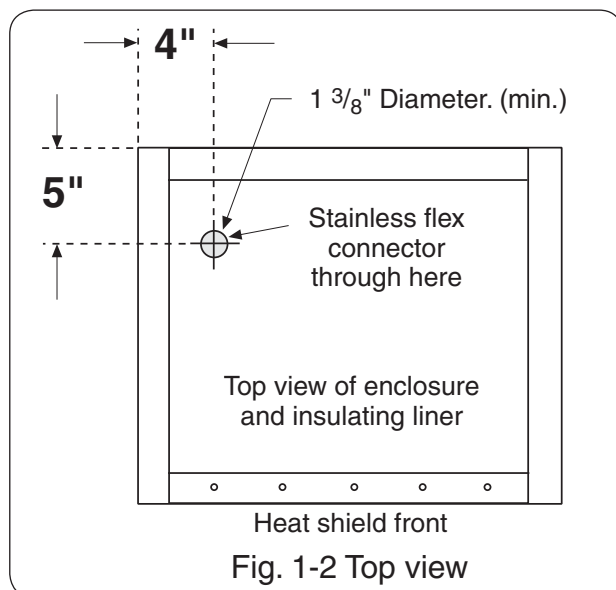


Read these instructions and the safety and installation portions of the product instructions before beginning insulating liner installation.

Countertops and cabinet faces made of combustible material, such as wood, Formica, and Corian, can extend up against the outside walls of the insulating liner and be joined by a bead of silicone sealer rated for 400° or higher, as shown in Fig. 1-1. Never build over the insulating liner with combustible materials, as this will interfere with the grill hanger.

Enclosures built of wood or other combustible materials must include the proper space for the insulating liner. A support shelf or ledge below the counter top is not needed to support the appliance and insulating liner. The two support hangers provided will support the liner and grill.

GAS REQUIREMENTS



A rigid 1/2" or 3/4" black steel pipe should be used to conduct the gas supply into the enclosure for connection to the outdoor gas appliance. On units with a sheet metal bottom, a 1 3/8" diameter hole set in 4" from the left side and 5" from the rear is provided for plumbing the gas connection (see Fig. 1-2). Use a CSA approved stainless steel flex connector to link the appliance to the gas line.

Never use a rubber hose to connect to the gas supply. For pipe connections, use joint compounds that are resistant to all gasses on all male pipe fittings. Tighten each joint securely. Do not use pipe joint compound on flare fittings.

Check all connections for leaks prior to use with a half-soap-half-water solution. Never use a flame to check for leaks.

INSTALLATION

1. Position the rear support hanger 2" from the back of the cut-out and with the horizontal surface of the hanger flush with the bottom of the cut out as shown in Fig. 2-1. Fasten securely in place with flat head screws (not provided) into the sides on the enclosure.
2. Position the front support hanger 3" from the front of the enclosure and at the same level as the rear one. Secure into place with flat head screws into the sides of the enclosure.
3. Place the insulating liner on top of the support hangers (as shown in Fig. 2-1). Place the insulating liner tightly against the back of the cabinet opening.

MODEL SERIES	LINER MODEL	Cabinet Cut-out dimensions A X B X C* (front-back) x (side-side) x (top-bottom*)
(Deluxe) 11 series	3100-50	19-3/8" x 28" x 12-1/4"
(Power Burner) 19 series	3278-50	20-3/4" x 22-5/8" x 12"
(Searing Burner) 3287-1(P)	3287-50	24-3/4" x 18-3/8" x 12"

Table 1 - Cut-out by model

Dimensions shown (A, B, and C) are for cabinet cut-out dimensions for the liner. The dimensions do not include additional allowance for counter tops or cabinet facings (see Fig. 2-1).

WARNING: Use this insulating liner only with the matching outdoor gas appliance as indicated in **Table 1**.

***Important:** Allow for a one inch clearance below the cutout for the support hanger extensions (see below).

To install and operate the actual Fire Magic outdoor gas appliance, please refer to the installation and operating instructions and safety precautions shipped with the appliance.

Insulating liner

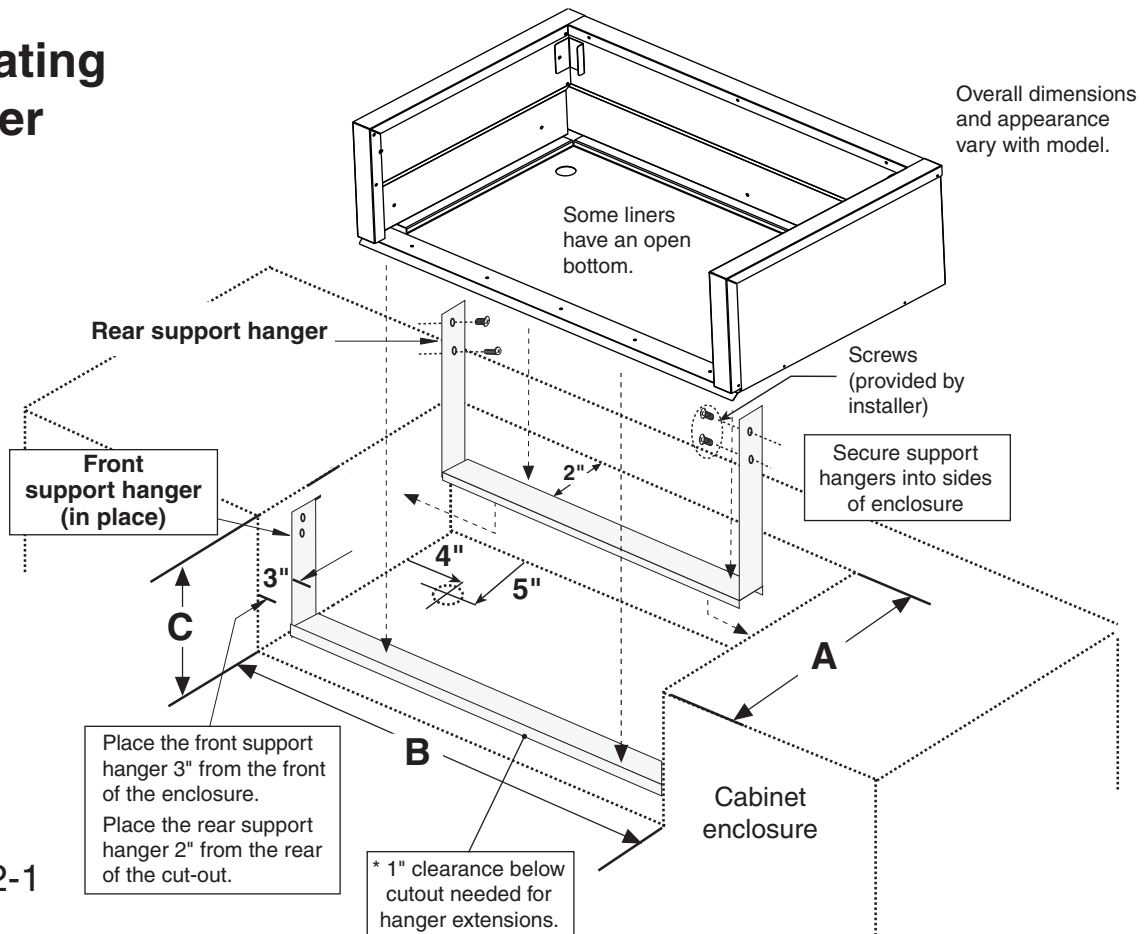


Fig. 2-1