



# ELECTRIC WARMING DRAWER

OUTSIDE DOOR MODEL: #33830-SW

FLUSH DOOR MODEL: #53830-SW

## INSTALLATION INSTRUCTIONS AND OWNER'S MANUAL

**INSTALLER:** Leave these instructions with consumer.  
**CONSUMER:** Retain for future reference.



33830-SW shown

**IMPORTANT:** READ THESE INSTRUCTIONS CAREFULLY BEFORE STARTING INSTALLATION OR USE.

### WARNINGS AND SAFETY CODES

**PLEASE READ AND FOLLOW**

- Removing permanently affixed rating label warnings **WILL** void the warranty.
- Observe all local codes and ordinances when installing this appliance. If no local codes are applicable, wire unit in accordance with the National Electrical Code, ANSI/NFPA 70, latest edition.

**WARNING**

To minimize the risk of property damage and/or personal injury, **do not** use a flexible extension power-supply cord in addition to the one supplied with this appliance.

**WARNING**

When connecting this appliance to a power supply make sure that it is the same voltage as the unit rating. Improper connection may cause severe damage to the components or decrease the performance of your Fire Magic® electric warming drawer. A rating plate specifying voltage, hertz, wattage, and amps is attached to the unit and also located on page 5. To avoid the risk of property damage and/or personal injury, installation work and electrical wiring must be performed by a qualified professional service technician. This appliance must be installed in accordance with this instruction.

- GENERAL INFORMATION**
- When installing this unit directly below another unit, only install with Fire Magic® built-in products.
  - This appliance does not contain a fuse or surge protector.
  - The power to the unit must be made readily accessible to the operator through means of a line disconnect switch, circuit breaker, and/or easy to reach receptacle.
  - For safe operation ensure that the unit is grounded properly per applicable electrical codes.
  - Not following these instructions exactly will void the manufacturer's warranty.
  - For outdoor installation, the circuit must have ground fault interrupt.

**Important:** Read these instructions carefully before starting installation.

Certified to: ANSI Z21.58a  
CSA 1.6a



# FIREMAGIC®

## ÉLECTRIQUE TIROIR DE CHAUFFAGE

MODÈLE EXTÉRIEURS DE PORTE: #33830-SW

MODÈLE DE PORTE AFFLEURANTE: #53830-SW

### INSTALLATION ET CONSIGNES D'UTILISATION



33830-SW montré

**IMPORTANT:** LISEZ CES INSTRUCTIONS SOIGNEUSEMENT AVANT DE COMMENCER L'INSTALLATION OU L'UTILISATION

### AVERTISSEMENTS ET CODES DE SÛRETÉ

#### SVP LISEZ ET SUIVEZ

- Enlever des avertissements de manière permanente apposés d'étiquette d'estimation videra la garantie.
- Observez tous les codes et ordonnances locaux en installant cet appareil. Si aucun code local n'est applicable, l'unité de fil selon le code électrique national, ANSI/NFPA 70, la dernière édition.

#### AVERTISSEMENT

Pour réduire au minimum le risque de dégâts matériels et/ou de blessures, n'employez pas une prolongation flexible puissance-fournissent la corde en plus de celle fournie avec cet appareil.

#### AVERTISSEMENT

En reliant cet appareil à une alimentation d'énergie assurez-vous que c'est la même tension que l'estimation d'unité. Le raccordement inexact peut endommager considérablement les composants ou diminuer l'exécution de votre tiroir de chauffage électrique de Magic® du feu. Une plaque de contrôle indiquant la tension, les hertz, la puissance en watts, et les ampères est attachée à l'unité et également située à la page 4. Pour éviter le risque de dommages aux biens et/ou des blessures corporelles, les travaux d'installation et le câblage électrique doit être effectuée par un technicien professionnel qualifié. Cet appareil doit être installé selon cette instruction.

**Important:** Lisez ces instructions soigneusement avant de commencer l'installation.

**INSTALLATEUR:** Laissez ces instructions avec le consommateur. **CONSOMMATEUR:** Maintenez pour la future référence.

### INFORMATIONS GÉNÉRALES

- En installant cette unité directement au-dessous d'une autre unité, installez seulement avec des produits de fonction intégrée de Magic® du feu.
- Cet appareil ne contient pas un fusible ou un protecteur de montée subite.
- La puissance à l'unité doit être rendue aisément accessible à l'opérateur par des moyens d'une ligne commutateur de débranchement, disjoncteur, et/ou facile d'atteindre le réceptacle.
- Pour l'exploitation sûre assurez-vous que l'unité est fondue correctement par codes électriques applicables.
- Non suivant ces instructions exactement videront la garantie du fabricant.
- Pour l'installation extérieure, le circuit doit avoir rectifié l'interruption de défaut.

Certified to: ANSI Z21.58a  
CSA 1.6a



10-33

Robert H. Peterson Co. • 14724 East Proctor Avenue • City of Industry, CA 91746

## ELECTRICAL SAFETY

To protect against electric shock, do not immerse cord or plugs in water or other liquid.

Unplug from the outlet when not in use and before cleaning. Allow to cool before putting on or taking off parts.

Do not operate with a damaged cord, plug, or after the unit malfunctions or has been damaged in any manner. Contact the manufacturer for repair.

Do not let the cord hang over the edge of a table or touch hot surfaces.

Do not use this unit for purposes other than intended.

**Use only a properly wired and inspected 120VAC (15 AMP minimum) Ground Fault Circuit Interrupter (GFCI) GROUNDED 3-wire receptacle with this unit.**

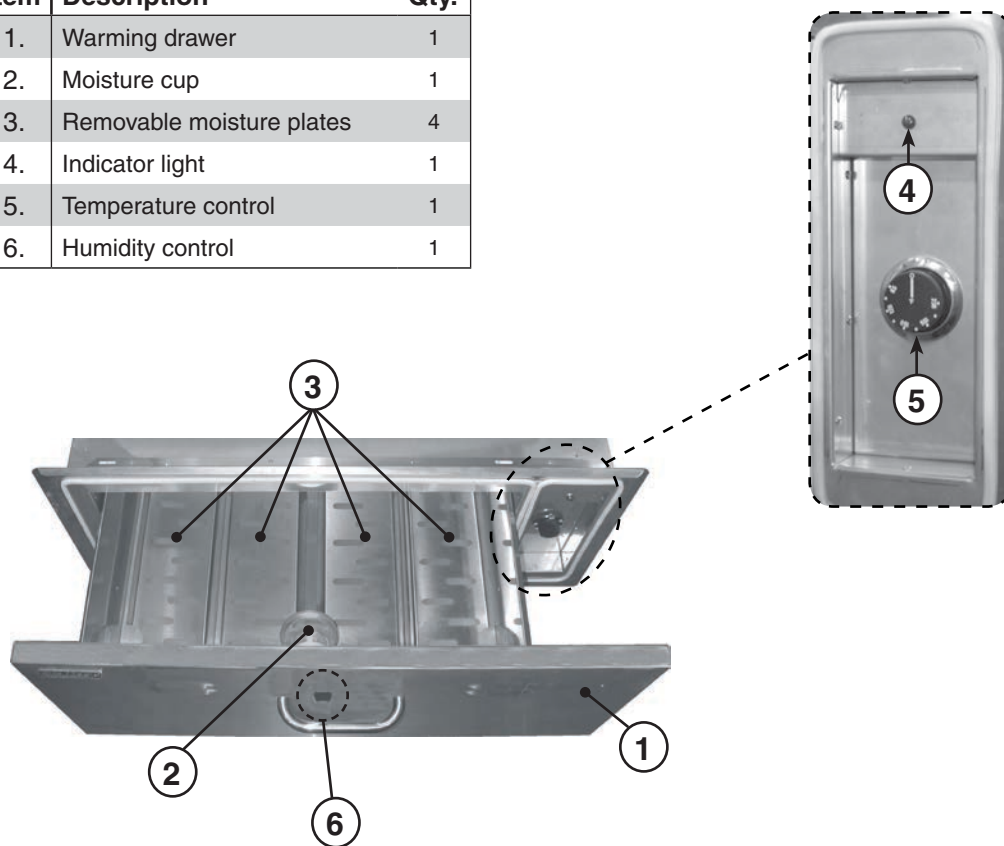
The GFCI receptacle must be a WEATHER-PROOF IN-USE COVERED RECEPTACLE.

Never remove the grounding plug or use with an adapter of 2 prongs.

**The provisions of the National Electric Code as well as any local codes must be observed when installing the product.**

## IDENTIFICATION PARTS LIST

Item	Description	Qty.
1.	Warming drawer	1
2.	Moisture cup	1
3.	Removable moisture plates	4
4.	Indicator light	1
5.	Temperature control	1
6.	Humidity control	1



## INSTALLATION

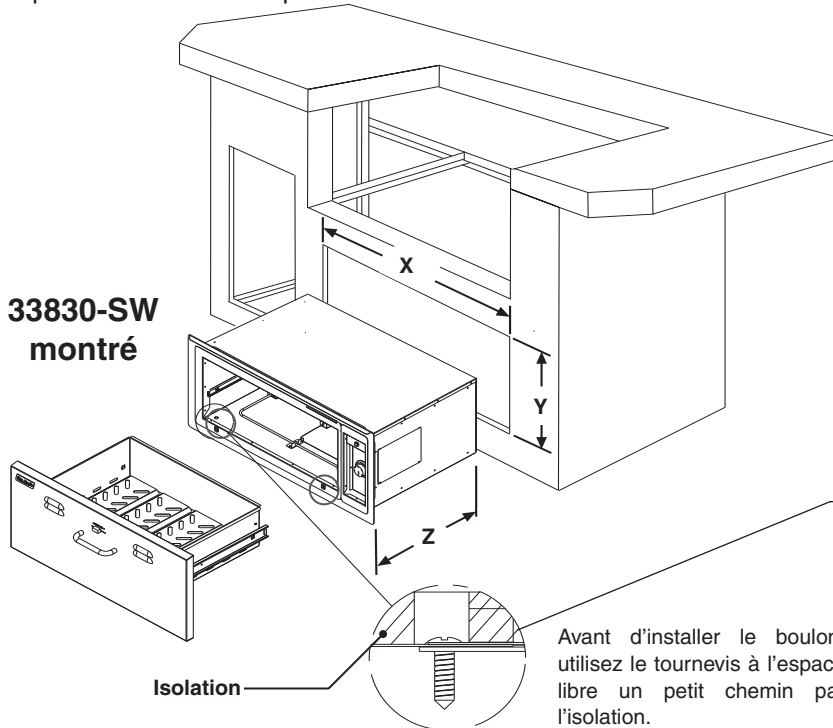
Avant d'installer votre Fire Magic® tiroir-réchaud, retirer le tiroir du boîtier de tiroir en tirant complètement. Libérez le tiroir des glissières de tiroir en pressant le levier noir **vers le bas du côté droit**, et **levez de l'aile gauche** (voir le schéma 4-1). Tirez alors à l'extérieur sur le tiroir jusqu'à ce qu'il vienne exempt des coureurs.

**Pour l'installation appropriée, soyez sûr d'employer les dimensions correctes de coupe-circuit comme spécifique pour votre numéro de type spécifique (voir le tableau ci-dessous).**

1. Afin de soutenir correctement le poids de votre tiroir de chauffage, il est nécessaire de fournir une surface bloquée et de niveau à l'arrière de l'unité. (Voir le dessin de VUE DE CÔTÉ ci-dessous.) Ceci peut être accompli en employant des briques, 2 x 4, etc. soit sûr que la taille de cet appui arrière est 1/8"; plus haut que cela de l'appui avant d'ouverture, de sorte que votre tiroir se repose de niveau.

**Note:** On lui recommande que le calfeutrage de silicium (non fourni) soit appliqué autour du dos de l'équilibre de chauffage de coffret de tiroir avant de glisser le coffret dans l'ouverture.

2. Faites glisser et fixer l'appareil en toute sécurité dans l'enceinte en utilisant le matériel approprié pour la construction de votre enceinte (non fourni) à travers les fentes de vis de montage en haut et en bas de l'unité (voir dessins ci-dessous). Une fois que chacun des quatre boulons est attaché solidement, soyez sûr de casser les prises fournies fermement dans l'endroit au-dessus des ouvertures de fente de vis. Ceci empêchera la perte et l'humidité de chaleur d'écrire l'unité.
3. Pour rattacher le tiroir ; prolongez les glissières de tiroir complètement et alignez le tiroir dans les glissières, poussant le tiroir fermé. Ouvrez le tiroir pour vérifier qu'il a fermé à clef en place.



33830-SW  
montré

Isolation

Avant d'installer le boulon, utilisez le tournevis à l'espace libre un petit chemin par l'isolation.

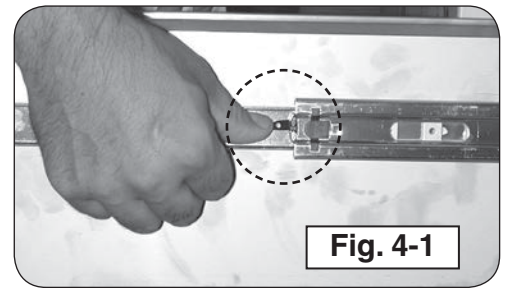
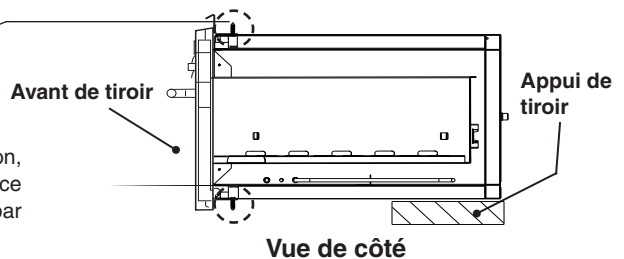


Fig. 4-1

**AVERTISSEMENT:** Soyez sûr de débrancher l'unité avant l'entretien et de permettre à des éléments de chauffe de se refroidir avant d'enlever le tiroir.

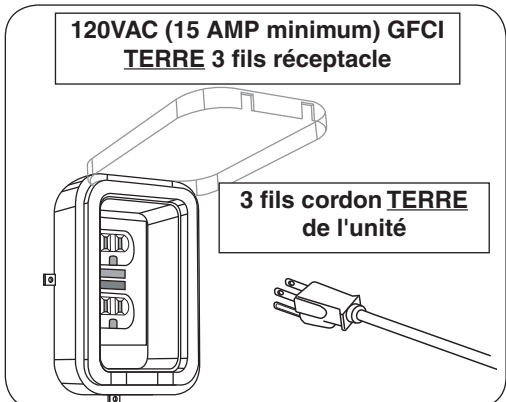


Fig. 4-2 Électrique détail d'installation

### PUISSANCE NOMINALE SPÉCIFICATIONS

VOLTS	WATTS	AMPÈRES	HERTZ
120	475	3.96	60

### DIMENSION DE COUPE-CIRCUIT

Modele #	X	Y	Z
33830-SW	31"	13"	20 1/2"
53830-SW	32 1/4"	14 1/2"	22"

## OPÉRATION

### LA COMMANDE DE TEMPÉRATURE

La température de votre tiroir chauffant peut être réglé à un maximum de 230° F. Les réglages bas sont idéales pour la plaque et le réchauffement de pain, tandis que des réglages élevés permettent de maintenir les soupes et les sauces chaudes.

### LA COMMANDE D'HUMIDITÉ

Votre tiroir de chauffage électrique est équipée d'un bouton de commande coulissant d'humidité qui vous permet de régler l'humidité à l'intérieur du tiroir. Réglage de l'humidité se fait sans ouvrir le tiroir et affectant la température et / ou de l'humidité intérieure. Ouvrez les passages pour conserver des nourritures croquantes; fermez les passages pour conserver des nourritures moites (ajoutez l'eau à la tasse d'humidité pour augmenter l'humidité intérieure).

## INSTALLATION

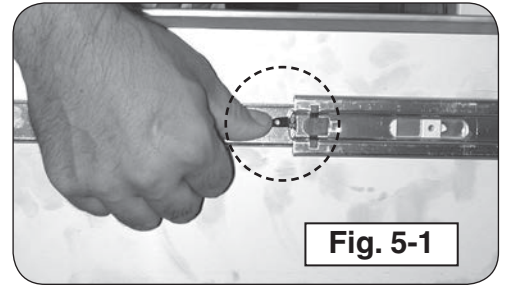
Before installing your Fire Magic® warming drawer, remove the drawer from the drawer housing by completely pulling it out. Release the drawer from the drawer slides by pressing the black lever **down on the right side**, and **up on the left side** (Fig 5-1). Then pull outward on the drawer until it comes free of the runners.

**For proper installation, be sure to use the correct cutout dimensions as specified for your specific model number (see table below).**

1. In order to properly support the weight of your warming drawer, it is necessary to provide a secure, level surface in the rear of the unit. (See SIDE VIEW drawing below.) This may be accomplished by using bricks, 2 X 4's, etc. Be sure that the height of this rear support is 1/8" higher than that of the front opening support, so that your drawer sits level.

**Note:** It is recommended that silicon caulking (not supplied) is applied around the back of the warming drawer cabinet trim before sliding the cabinet assembly into the opening.

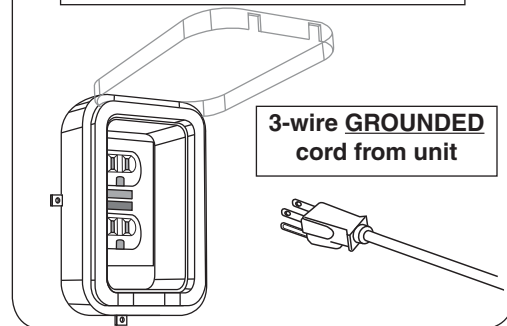
2. Slide in and fasten the unit securely into the enclosure using hardware appropriate for your enclosure construction (not supplied) through the installation screw slots in the top and bottom of the unit (see drawings below). Once all four bolts are fastened securely, be sure to snap the supplied plugs firmly into place over the screw slot openings. This will prevent heat loss and moisture from entering the unit.
3. To re-attach the drawer; extend the drawer slides completely and align the drawer into the slides, pushing the drawer closed. Open the drawer to verify that it has locked in place.



**Fig 5-1**

**WARNING:** Be sure to unplug unit before servicing and allow heating elements to cool before removing the drawer.

**120VAC (15 AMP minimum) GFCI GROUNDED 3-wire receptacle**



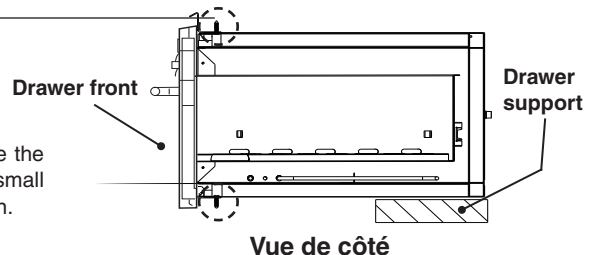
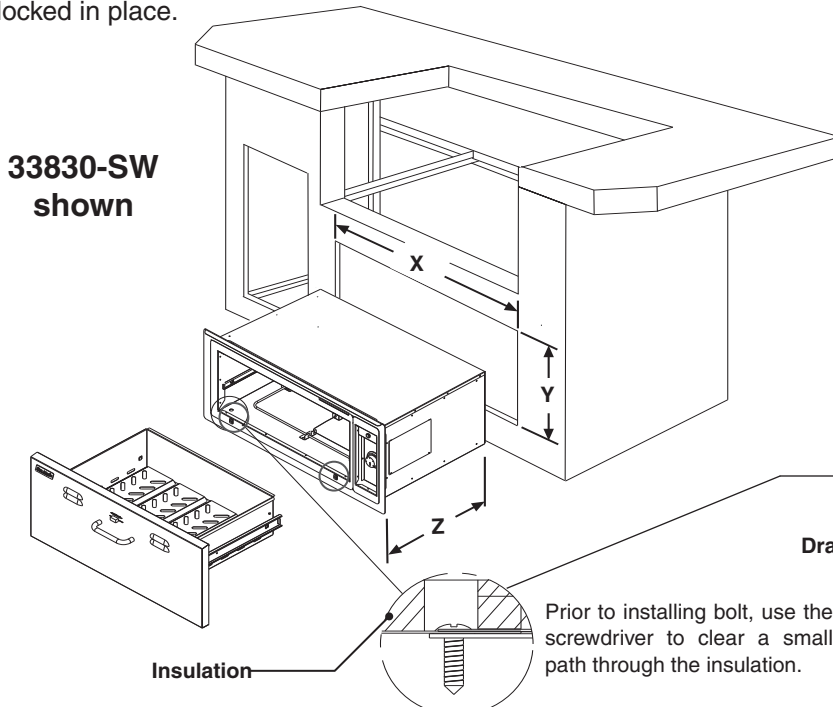
**Fig 5-2** Electrical setup detail

### RATED POWER SPECIFICATIONS

VOLTS	WATTS	AMPS	HZ
120	475	3.96	60

### CUTOUT DIMENSION

Model #	X	Y	Z
33830-SW	31"	13"	20 1/2"
53830-SW	32 1/4"	14 1/2"	22"



## OPERATION

### TEMPERATURE CONTROL

The temperature of your warming drawer can be set to a maximum of 230°F. The low settings are ideal for plate and bread warming, while high settings allow for keeping soups and sauces hot.

### HUMIDITY CONTROL

Your electric warming drawer is equipped with a sliding humidity control knob that allows you to regulate the humidity inside the drawer. Adjusting the moisture is done without opening the drawer and affecting the interior temperature and/or humidity. Open the vents to keep foods crisp; close the vents to keep foods moist (add water to the moisture cup to increase the interior humidity).

## SERVICING AND CLEANING

DRAWER MUST BE COMPLETELY COOL WHEN CLEANING. DO NOT SPRAY ANY CLEANER OR LIQUIDS ON THE APPLIANCE WHEN HOT.

**The drawer must be cleaned as needed (depending on use) to prevent grease build-up and other food deposits.**

### INTERIOR

The inside of the drawer may be cleaned periodically with oven cleaner if desired. Follow the oven cleaner instructions for proper use.

Be careful not to get oven cleaner on the outside surface of the drawer as it can permanently damage the finish.

### EXTERIOR

Clean your drawer by first using stainless steel grill cleaner to remove grease and dirt. Always wipe with the grain (See Fig. 6-1). Next, apply stainless steel polish and wipe down using polish wipes to restore the stainless steel color.

If your drawer is installed in a seaside (salt air) or poolside (chlorine) location, it will be more susceptible to corrosion and must be maintained/cleaned more frequently. Do not store chemicals (such as chlorine or fertilizer) near your stainless steel drawer.

Due to the nature of stainless steel, surface iron oxide deposits may appear. Do not be alarmed – these deposits are removable with stainless steel cleaner through prompt and periodic maintenance. If not attended to promptly, permanent pitting may occur.

By following these recommendations, you will enjoy the beauty and convenience of your drawer for many years to come.



Fig. 6-1 - Wipe with grain

Please use this page to record any information that you may want to have at hand.

# WARRANTY

## PETERSON FIRE MAGIC GRILLS AND ACCESSORIES LIMITED WARRANTY

Robert H. Peterson Co. ("RHP") warrants your Fire Magic® grill to be free from defects in material and workmanship.

Fire Magic® cast stainless-steel burners, stainless-steel cooking grids, and stainless-steel housings are warranted for as long as you own your Fire Magic® grill -- **LIFETIME**. (Except as noted below.)

Fire Magic Choice stainless steel tubular burners are warranted for **TWENTY (20) YEARS**.

Fire Magic® brass valves, inner liners, manifold assemblies, porcelain housings (including ovens and barbecue faces), and backburner assemblies (except ignition parts) are warranted for **FIFTEEN (15) YEARS**.

Fire Magic® Electric Grills, including stainless steel grid, and housings are warranted for **TEN (10) YEARS**.

Fire Magic® Infra-red burners, flavor grids, Charcoal stainless steel grills, and Smokers are warranted for **FIVE (5) YEARS**; except for the charcoal pan, charcoal grid, wood pellet screen, thermometer, and ash tray; which are warranted for **ONE (1) YEAR**.

Fire Magic® sideburners and all other Fire Magic® grill components (except ignition and electronic parts) are warranted for **THREE (3) YEARS**.

Fire Magic® ignition systems (excluding batteries), electronic components (including lights and thermometers), and grill accessories are warranted for **ONE (1) YEAR**.

### A COPY OF YOUR SALES SLIP FOR PROOF OF PURCHASE IS REQUIRED

This warranty applies to the original purchaser for products which are installed in the United States or Canada and which are operated and maintained as intended for single family residential usage. This warranty is valid only with proof of purchase, shall commence on the date of purchase, and shall terminate (both as to original and any replacement products) on the anniversary date of the original purchase of the product stated on the above schedules.

This warranty covers defects in material and workmanship. This warranty **does not** cover parts which become defective as a result of negligence, misuse, use not in compliance with the Owner's Manual/Installation Instructions, accidental damage, improper handling, improper storage, improper installation, **lack of required routine maintenance** (as specified in the Owner's Manual/Installation Instructions), or electrical damage. Product must be installed as specified in the Owner's Manual/Installation Instructions by a **qualified professional installer**. Modifications to products which are not specifically authorized will void this warranty. Accessories, parts, valves, remotes, etc. when used must be Peterson products or this warranty is void. Warranted items will be repaired or replaced at Peterson's sole discretion. This warranty **does not** apply to rust, corrosion, oxidation, or discoloration unless the affected part becomes inoperable.

This warranty **does not** cover labor or labor related charges, except as provided by separate specific written programs from the Peterson Co. All repair work must be performed by a qualified professional service person and requires prior approval of Peterson.

Peterson may require the defective product or part to be returned to the factory to determine the cause of failure. Peterson will pay freight charges if the product or part is determined to be defective. This warranty does not cover breakage in shipment from our (Independent) distributor to its customer if the damage is determined to have occurred during that shipment.

This warranty specifically excludes liability for **indirect, incidental**, or consequential damages. Some states and provinces do not allow the exclusion or limitation of incidental or consequential damages, so the above exclusion may not apply to you. This warranty gives you specified legal rights, and you may have other rights that vary from state to state or province.

For additional information regarding this warranty, or to place a warranty claim, contact the R. H. Peterson dealer where the product was purchased.

When contacting your Peterson dealer or the R. H. Peterson Co., please provide the following information:

- Your name, address, telephone number, e-mail
- Sales receipt showing where purchased and date purchased
- Model number, serial number of product, date code
- Relevant information: installer, additions, repairs, when defect was first noted

**TO REGISTER YOUR PRODUCT ONLINE GO TO: [WWW.RHPETERSON.COM](http://WWW.RHPETERSON.COM),  
AND CLICK ON PRODUCT REGISTRATION. THANK YOU FOR YOUR PURCHASE.**