



# Doors with Tank Tray

Model #s: 53930SC-12T, 53820SC-TL, 53820HSC-TL, 53820SC-TR, 53820HSC-TR, 33930S-12T, 33820-TSL, 33820-TSR, 23920-1T-S

**INSTALLER:** Leave these instructions with consumer.  
**CONSUMER:** Retain for future reference.



33820-TSL shown

- When installing this unit directly below another unit, only install with Fire Magic built-in products.
- It is recommended that silicon caulking (not supplied) is applied around the back of the door cabinet trim before sliding the cabinet assembly into the opening.
- **This unit must be installed per this instruction.**

**CAUTION:** Make sure the enclosure is properly vented. See the GRILL ENCLOSURE / VENTILATION REQUIREMENTS, VENTILATION section of your grill owner's manual, and consult your local codes.

**CAUTION:** FOLLOW ALL THE SAFETY WARNINGS AND INFORMATION FOUND IN THIS INSTRUCTION, ON YOUR PROPANE CYLINDER, AND IN YOUR GRILL OWNER'S MANUAL ABOUT SAFETY, STORAGE, MAINTENANCE, AND PROPER USE OF PROPANE GAS.

1. Remove the protective coating from the door.
2. Create the appropriate cutout in your island enclosure as specified for your model number. See Table 1 and Fig. 1-1.
3. Position the door in the opening (See Fig. 1-1). Fasten to the enclosure.

**Important:** 8 screws are included for installation. If installing into a concrete island, pilot holes are required.

A bracket hardware kit (BK-1), designed for easier installation, is included with select models and is available for purchase. See Table 1 above for models supplied with this kit. This kit is compatible with island enclosures with a wall thickness of 1 1/2" to 2 1/4". For models that DO NOT come with a kit, this kit is only recommended if installation can be performed with the countertop removed for accessibility. Call your local dealer for ordering information. Follow the instructions included with the bracket kit for installation. Based on the mounting surface/substrate, use either the provided concrete screws or this bracket hardware kit as appropriate.

**Important:** When installing in a Fire Magic GFRC Island, this kit is included and is required to be used with installation.

4. Connect the flex connector (coming from the already installed Fire Magic grill) to the adapter found on the exterior of the door assembly. See Fig. 1-2.

Model #	Height	Width	Depth
53930SC-12T	21"	30 1/2"	20 1/2"
33930S-12T	21"	30 1/2"	20 1/2"
53820SC-T(L,R) *	21"	14 1/2"	20 1/2"
33820-TS(L,R) *	21"	14 1/2"	20 1/2"
23920-1T-S *	20 1/2"	14 1/2"	20 1/2"

\* BK-1 Bracket hardware kit included with this model.

Table 1 Cutout dimensions table

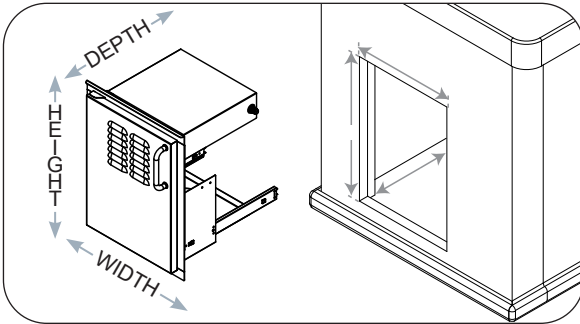


Fig. 1-1 Orientation

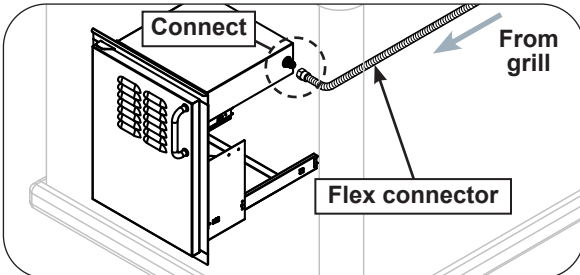


Fig. 1-2 Connect grill flex connector to unit

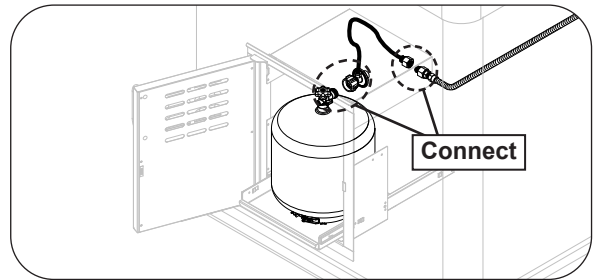
## INSTALLATION (cont.)

5. Place your propane tank in the door's tank tray and properly connect a regulator hose assembly to it. Then attach the hose to the adapter found on the interior of the door assembly. See Fig. 2-1.

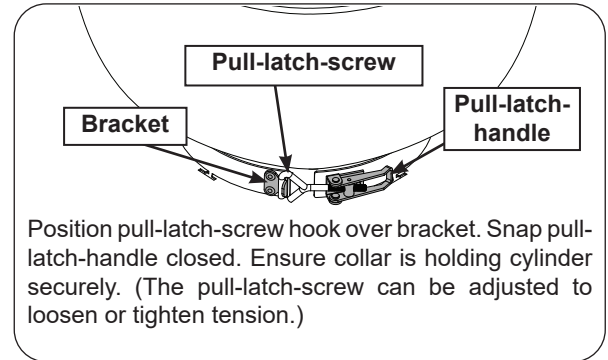
Refer to the SAFE USE & MAINTENANCE OF PROPANE GAS CYLINDERS section for details on propane cylinder connection and important information.

6. Hook the round end of the pull-latch-screw over the bracket (found on collar of tray). Then snap the pull-latch-handle closed. Ensure the collar is securely holding the cylinder in place. (If needed the pull-latch-screw can be adjusted to tighten or loosen the collar.) See Fig. 2-2.
7. Fasten the door securely into the island enclosure using the appropriate hardware for your enclosure (not supplied) through the installation screw slots in the top and bottom of the unit.

**Note:** The tank tray may be removed from its slides by pressing the black levers up/down and pulling outward.



**Fig. 2-1** Install tank and connect to unit



**Fig. 2-2** Secure L.P. cylinder

# SAFE USE & MAINTENANCE OF PROPANE GAS CYLINDERS

## IMPORTANT FOR YOUR SAFETY

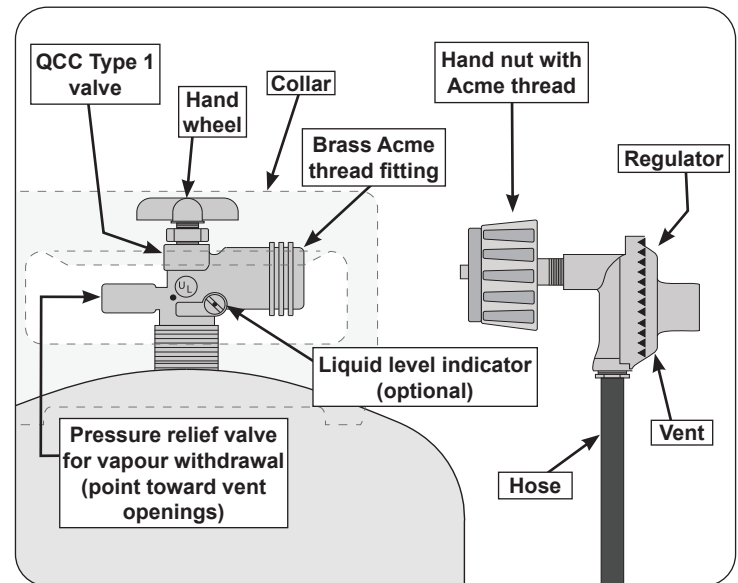
### READ AND FOLLOW ALL WARNINGS PROVIDED WITH THE PROPANE-GAS CYLINDER.

When operating this appliance with a propane-gas cylinder, these instructions and warnings **MUST** be observed.  
**FAILURE TO DO SO MAY RESULT IN A SERIOUS FIRE OR EXPLOSION.**

**For requirements related to ventilation, L.P. Cylinders, and the enclosure, see owner's manual provided with your grill.**

## CYLINDER/CONNECTOR REQUIREMENTS

- Propane-gas cylinders, valves, and hoses must be maintained in good condition and inspected before each use of appliance. They must be replaced if there is any visible damage. If hose is cut or shows excessive abrasion or wear, it must be replaced before using appliance (see e.).
- This unit, when used with a cylinder, should be connected to a standard 5-gallon (20 lb.) propane-gas cylinder equipped with a listed overfilling prevention device. The device has been required on all cylinders sold since October 1, 1998, to prevent overfilling.
- Cylinder dimensions should be approximately 12" (30.5 cm) in diameter and 18" (45.7 cm) high. Cylinders must be constructed and marked in accordance with the U.S. Department of Transportation (D.O.T.) *Specifications for LP-Gas Cylinders*, or the *Standard for Cylinders, Spheres, and Tubes for Transportation of Dangerous Goods and Commission*, CAN/CSA-B339, as applicable.
- The cylinder used must include a collar to protect the cylinder valve. The cylinder supply system must be arranged for vapour withdrawal. See Fig. 3-1.
- When used with a cylinder, the gas supply system must be used with a pressure regulator. The pressure regulator and hose assembly (**not supplied**) used must match the specification for Type I by ANSI Z 21.58/CGA 1.6 and must comply with UL 144 as a part of the self-contained LP gas supply system (see Fig. 3-1).
- The propane-gas cylinder valve must be equipped with a cylinder connection device, described as Type I in the standard defined in paragraph e. above. This device is commonly described as an Acme thread coupler.
- If the cylinder comes with a dust plug, place it on the cylinder valve outlet whenever the cylinder is not in use. Only install the type of dust cap on the cylinder valve outlet that is provided with the cylinder valve. Other types of caps or plugs may result in leakage of propane.



**Fig. 3-1** Type I Acme thread coupler

## COUPLER OPERATION

**To connect the regulator/hose assembly to the propane-gas cylinder valve fitting:** Press the hand nut on the regulator over the Acme thread fitting on the cylinder valve. Turn the hand nut clockwise to engage the threads and tighten until snug. The use of pliers or a wrench should not be necessary. Only cylinders marked "propane" may be used.

**To disconnect:** Turn the hand nut counterclockwise until detached (Fig. 3-1).

## SAFE USE & MAINTENANCE OF PROPANE GAS CYLINDERS (Cont.)

**Important:** Before using the unit, and after each time the cylinder is removed and reattached, check the hose for wear (see a.) and check all connections for leaks. Turn off the unit valves and open the main cylinder valve, then check connections with soapy water. **NEVER USE A FLAME TO CHECK FOR LEAKS.** Repair any leaks before lighting the unit.

**CAUTION:** Always turn the propane cylinder main valve off after each use, and before moving the unit and cylinder or disconnecting the coupling. This valve must remain closed and the cylinder disconnected while the appliance is not in use, even though the gas flow is stopped by a safety feature when the coupler is disconnected.

**Carefully** inspect the hose assembly each time before the gas is turned on. A cracked or frayed hose must be replaced immediately.

If the appliance is stored indoors, the cylinder must be disconnected and removed. Disconnected cylinders must be stored outdoors, out of the reach of children, with threaded valve plugs tightly installed, and must not be stored in a building, garage, or any other enclosed area.

### FOR YOUR SAFETY

- A. DO NOT store a spare propane-gas cylinder under or near this appliance.
- B. NEVER fill the cylinder beyond 80-percent full.
- C. IF THE INFORMATION IN a. AND b. IS NOT FOLLOWED EXACTLY, A FIRE CAUSING DEATH OR SERIOUS INJURY MAY OCCUR.
- D. **CGA 791 connections on LP gas cylinders:** The cylinder face elastomeric face seal element (rubber seal) on these devices could, over time, show marked and visible damage or deterioration that might cause a leak even with the connection tightened. A visual inspection for the seal must be carried out every time a LP gas cylinder is replaced or refilled. Any LP gas cylinder showing signs of damage or deterioration as illustrated in Fig. 4-1, including visible cracks and pitting, must be replaced.

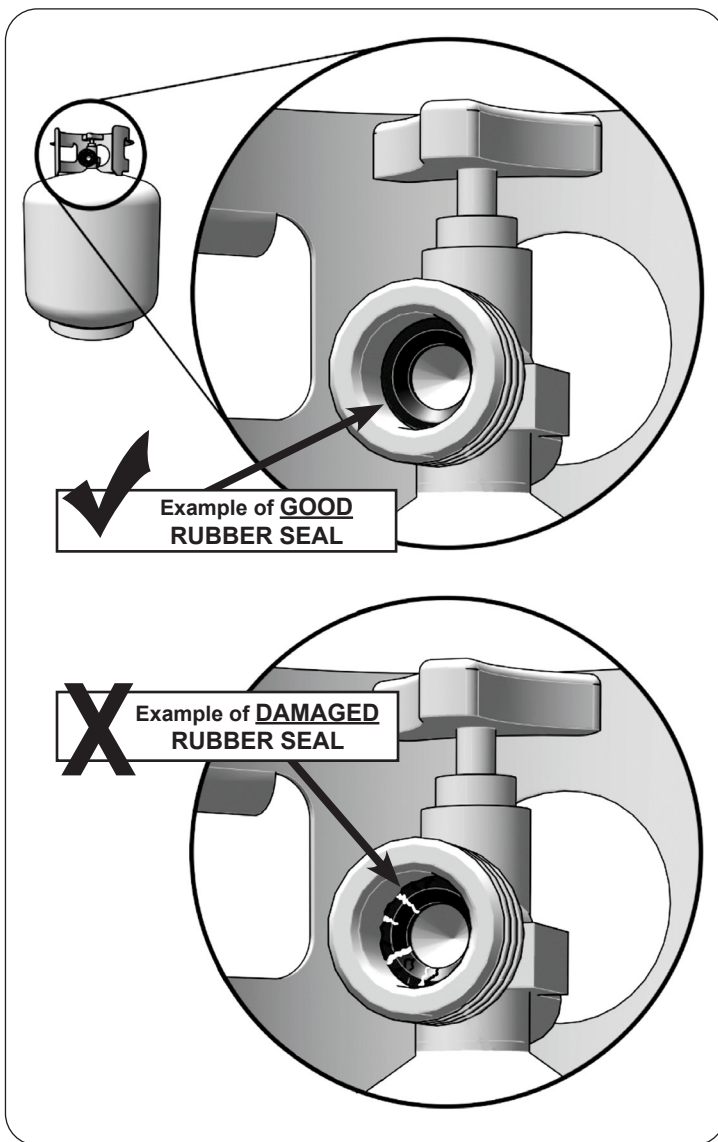


Fig. 4-1 Inspect rubber seal