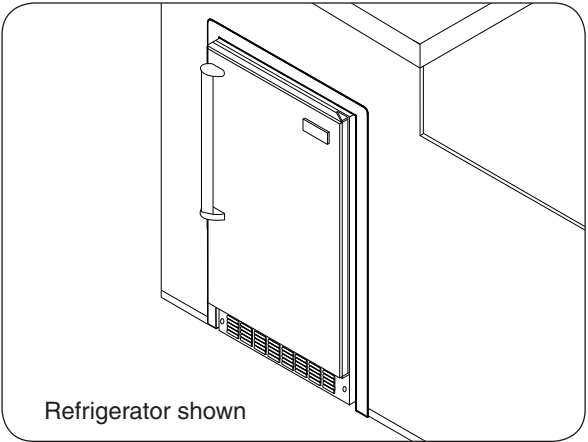




Refrigerator / Kegerator Trim Kit

Part # 3808

INSTALLER: Leave these instructions with consumer.
CONSUMER: Retain for future reference.



This trim kit is for installation with a Fire Magic Refrigerator or Kegerator. To install, follow the steps below:

WARNING: The trim kit is only for installation in islands with open enclosures (for ventilation reasons). DO NOT use this trim kit in closed/sealed enclosures.

1. Follow all instructions in the appliance owner's manual regarding the preparation and installation of the appliance. Do not insert the appliance into the cutout at this time.
2. Place the trim kit into the cutout, and fasten it into the enclosure using the pilot holes and appropriate hardware (see Fig. 1-2).
3. Install the appliance as instructed in the appliance owner's manual.

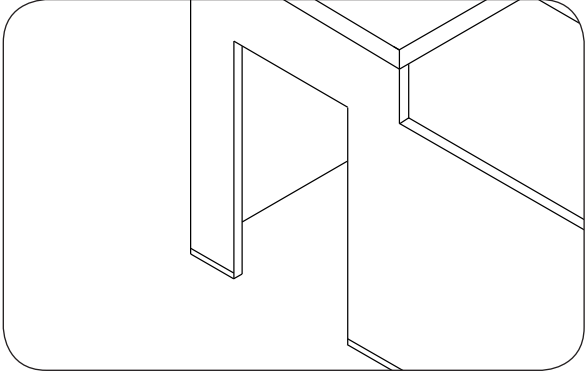


Fig. 1-1 Create cutout

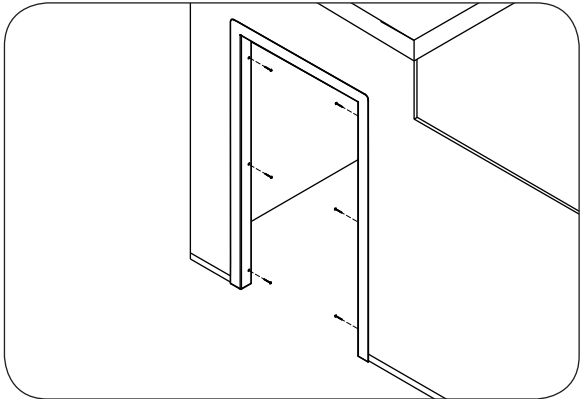


Fig. 1-2 Install trim kit