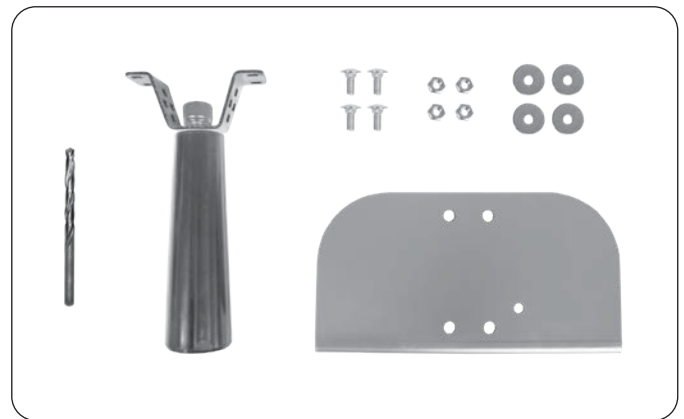


FIRE MAGIC / AOG

Oven Hood Side Handle Kit

Model # 3600-50



INSTALLER: Leave these instructions with consumer.
CONSUMER: Retain for future reference.

IMPORTANT: READ THESE INSTRUCTIONS CAREFULLY BEFORE STARTING INSTALLATION OR USE.

This Oven Hood Side Handle Kit is an add-on to the compatible grill models listed below:

Grill Series	Model
Diamond Series	E660, E790, E1060
Aurora Series	A430, A530, A540, A660, A790
Choice Series	C430*, C540*, C650*, CM430*, CM540*, CM650*, CMA430, CMA540, CMA650
AOG "L" Series	24, 30, 36
AOG "T" Series	24, 30, 36

* See Important information below.

Table 1 - Compatibility chart

Important: Not all Choice grills are equipped with an oven hood spring and will require the oven hood to be upgraded with a spring kit (#23729-71) in order to use this side handle kit. See reverse side for more information.

The oven hood side handle kit may be installed on the left or right side of the grill oven hood. Left installation shown here.

1. Be sure the unit is completely cool, the control knobs are turned to the OFF position, the gas supply is shut off, the light switch is off (if equipped), and the power supply is disconnected (if applicable).
2. Open oven hood and place the stainless steel drilling template onto the oven hood as shown in Fig. 1-1. Ensure the template is fully pressed against the hood side bottom flange and against the top corner of hood.

Important: If the oven hood protective plastic has been removed, use masking tape (or similar) under the drilling template to prevent scratching the stainless steel surface.

Note: Optional - Use a grip/clamp to hold the template in place to assist while drilling.

3. Using the provided drill bit, drill the four (4) holes through the oven hood side wall as shown in Fig. 1-2. Then remove the template.
4. Align the bracket to the holes on the oven hood and fasten the handle kit using the supplied screws, washers, and nuts (see Fig. 1-3).

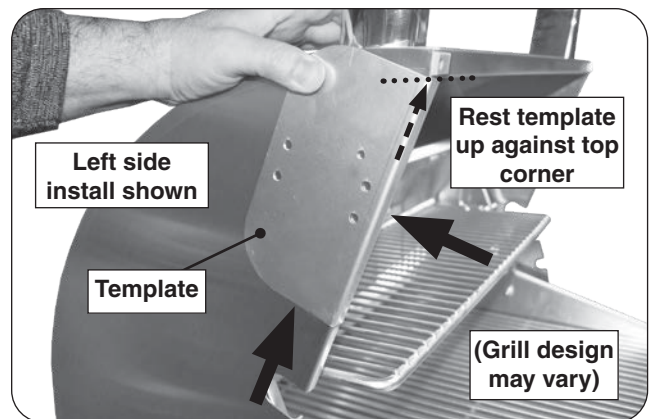


Fig. 1-1 Place drilling template (on hood)

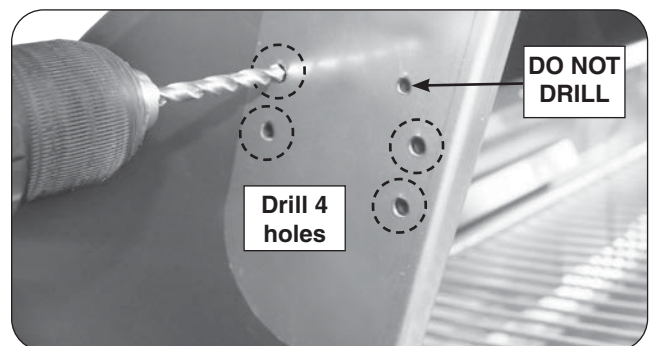


Fig. 1-2 Drill holes (on hood)

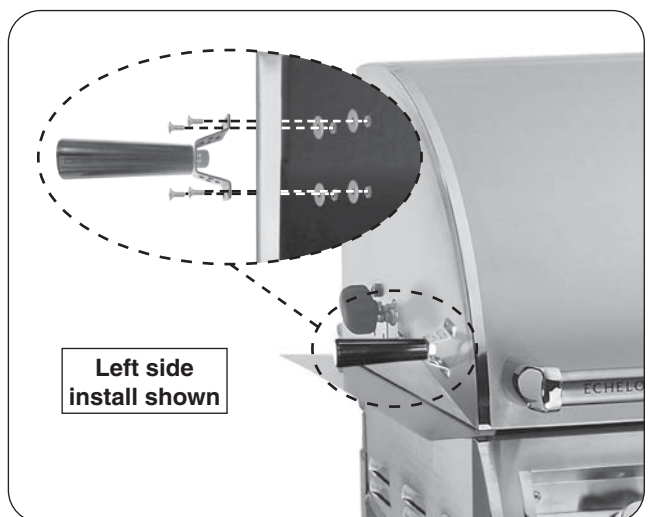


Fig. 1-3 Install bracket to hood

— CHOICE GRILL SPRING KIT INSTALLATION (if applicable, pre-2021 models only) —

Important: If the oven hood on your Choice grill is not equipped with a spring kit, it **MUST** be upgraded with an Oven Hood Spring Kit (#23729-71) **BEFORE THE OVEN HOOD SIDE HANDLE KIT CAN BE INSTALLED.** Determine if your hood is equipped with a spring kit by inspecting the left hinge of your hood for a spring. Contact your local dealer for ordering information.

Follow the steps below to install the (#23729-71) oven hood spring kit to Choice Grills. Disregard the generic instructions packed with the spring kit.

SPRING KIT INSTALLATION (purchased separately)

1. Be sure the unit is completely cool, the control knobs are turned to the OFF position, the gas supply is shut off, and the warming rack is removed.
2. Remove oven hood bolts and nuts from both sides as shown in Fig. 2-2, A.
3. **Using two installers**, carefully lift the oven hood from the grill and remove completely (Fig. 2-2, B). Rest the hood (on it's side) on a soft surface.

Note: Be careful with the spacers while the hood is being removed. Remove the spacers once the hood is completely freed from the grill. Reference Fig. 2-2.

4. With the oven hood removed and set aside, inspect the base oven side wall for a small knock-out (to mount the spring). Remove the knock-out and skip to step 7. **If the oven does not have a punch-out, proceed to the next step.**

5. Place the stainless steel drilling template onto the base oven side wall as shown in Fig. 2-3.

Important: Use masking tape (or similar) under the drilling template to prevent scratching the stainless steel surface.

6. Using a .195" drill bit (**not included**), drill a hole through the base oven side wall as shown in Fig. 2-4.

Installation continued on next page

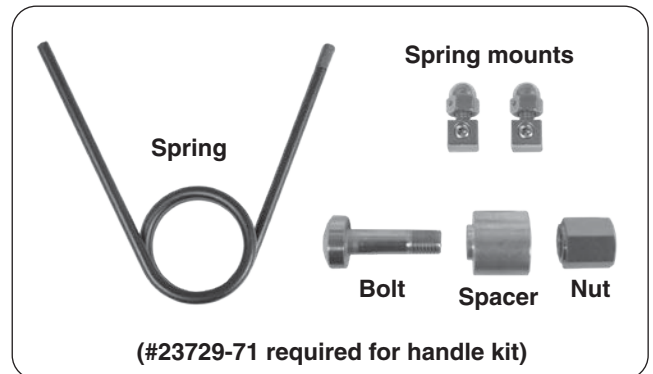


Fig. 2-1 Required spring kit (purchased separately)

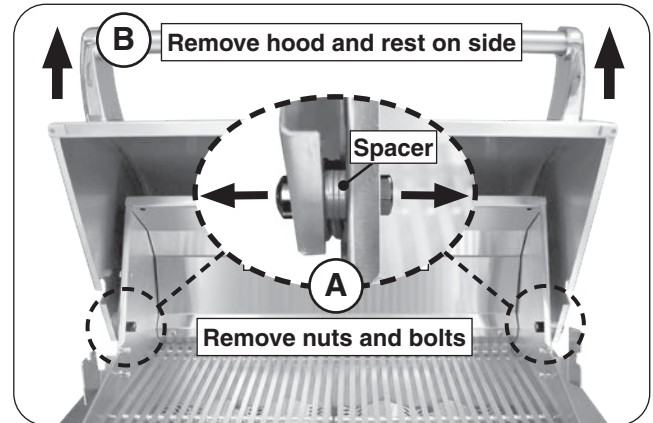


Fig. 2-2 Remove hood

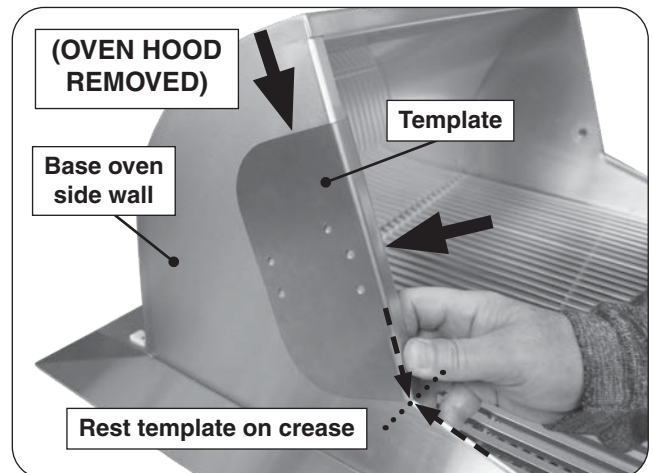


Fig. 2-3 Place drilling template (on oven base)

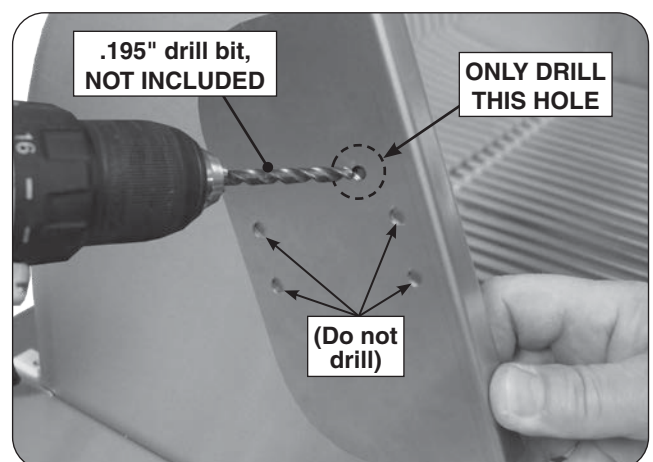


Fig. 2-4 Drill hole for spring mount (on oven base)

CHOICE GRILL INSTALLATION (if applicable) Cont.

7. **HOOD:** install the new spring and mounting hardware. Ensure the spring is oriented exactly as shown in Fig. 3-1.
 8. **BASE OVEN SIDE WALL:** install the new mounting hardware. Do not fully tighten. Leave slightly loosened to allow some play for the next step. See Fig. 3-2.
 9. Ensure the spacers are attached to both sides of the hood cutouts (Fig. 3-3, A), and (using two installers) carefully orient the hood back onto the grill (Fig. 3-3, B). While situating the hood, carefully insert the new spring into the spring mount and secure with an Allen wrench (Fig. 3-3, C).
 10. Align the hood, insert the two bolts, and fully secure with nuts as shown in Fig. 3-4.
- Note:** Ensure notches on nuts are fully inserted into the cutouts to ensure proper alignment before securing.
11. Fully tighten the spring mount from inside the base oven. Reference Fig. 3-2.

The handle kit is now ready for installation. See the first page of this instruction to install the handle kit.

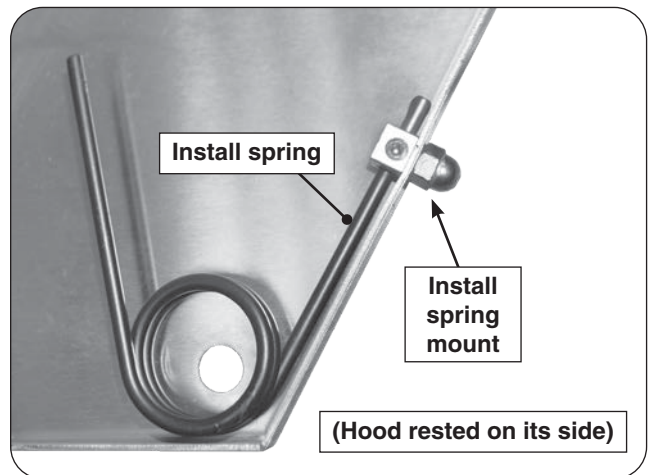


Fig. 3-1 Install spring and spring mount (on hood)

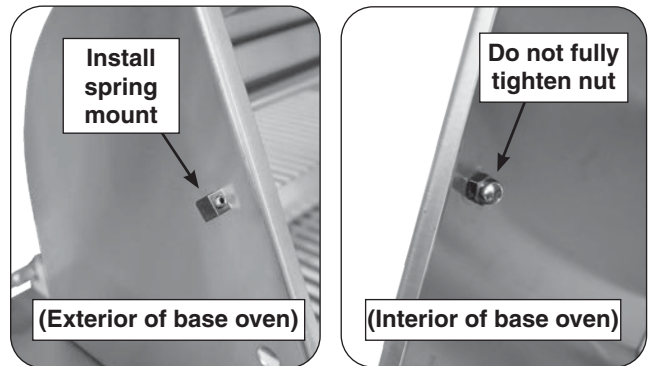


Fig. 3-2 Install spring mount (on base oven)

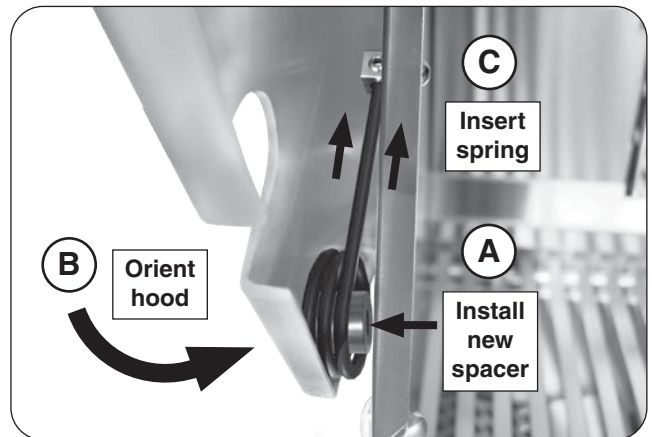


Fig. 3-3 Install hood

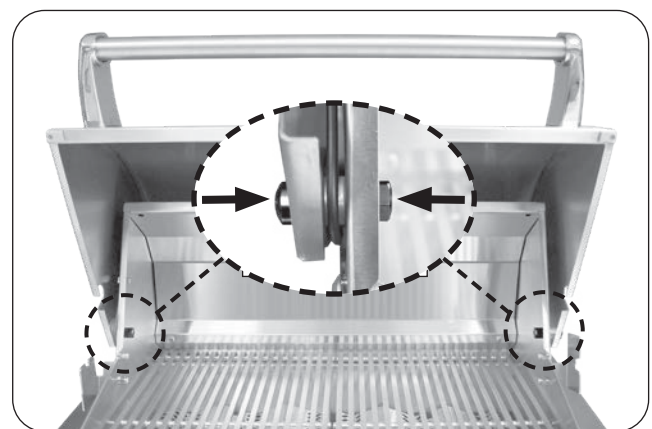


Fig. 3-4 Secure hood with nuts and bolts

Please use this page to record any information that you may want to have at hand.