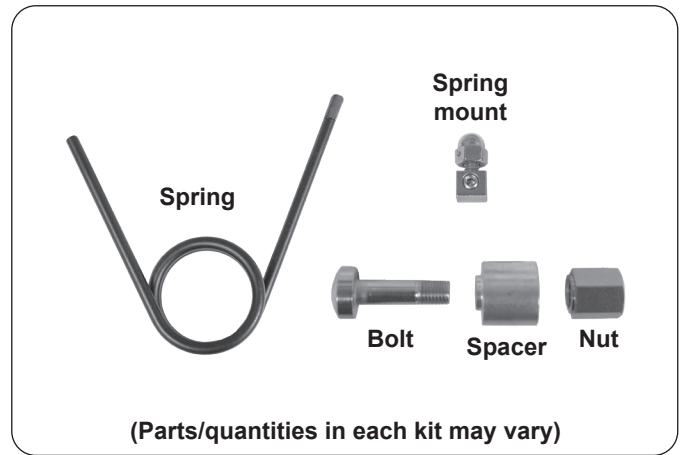




Oven Hood Spring Kit

Model #s: 23729-70, 23729-71, 23729-72, 23735-03,
23735-04, 23745-03, 23745-05, 23745-06,
23745-11, 23747-03, 23747-04

INSTALLER: Leave these instructions with consumer.
CONSUMER: Retain for future reference.



IMPORTANT: READ THESE INSTRUCTIONS CAREFULLY BEFORE STARTING INSTALLATION OR USE.

This Oven Hood Spring Kit is for installation on the compatible grill models listed below:

Grill Model	Spring Kit Model #		
	Current Grills	Pre-2021 Grills	Pre-2016 Grills
(A,C,CM,CMA)430, (A,C,CM,CMA)540, (C,CM,CMA)650	23729-72	23729-71	23729-70
A530		23735-04	23735-03
A660, A790	23745-11 *	23745-06	23745-05
E660, E790	23745-11 *	23745-03	
H790, E1060	23747-04 *	23747-03 *	

* This is a double spring kit (includes 2 sets of springs and hardware).

23729-71 SPRING KITS:

If this spring kit is to be installed on a Choice Grill (pre-2021), along with an Oven Hood Side Handle Kit (#3600-50), disregard this instruction and follow the instructions supplied with the Handle Kit.

Important: Two installers are required for safe installation of the oven hood spring kit.

1. Be sure the unit is completely cool, the control knobs are turned to the OFF position, the gas supply is shut off, the light switch is off (if equipped), the power supply is disconnected (if applicable), and the warming rack is removed.
2. If a spring is being replaced, locate the spring on the left side of the hood. Using an Allen wrench, loosen the screw as shown in Fig. 1-1.

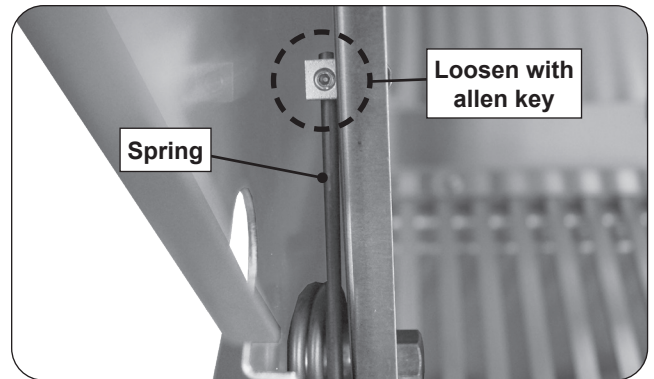


Fig. 1-1 Loosen screw (if applicable)

- Note:** For double spring kits (see table above), repeat this step on the right side of the hood.
3. Remove oven hood bolts and nuts from both sides as shown in Fig. 1-2, A.
 4. **Using two installers**, carefully lower the hood (slightly) to free the spring(s) from the spring mount(s) (if applicable), then carefully lift the oven hood from the grill and remove completely (Fig. 1-2, B). Rest the hood (on it's side) on a soft surface.

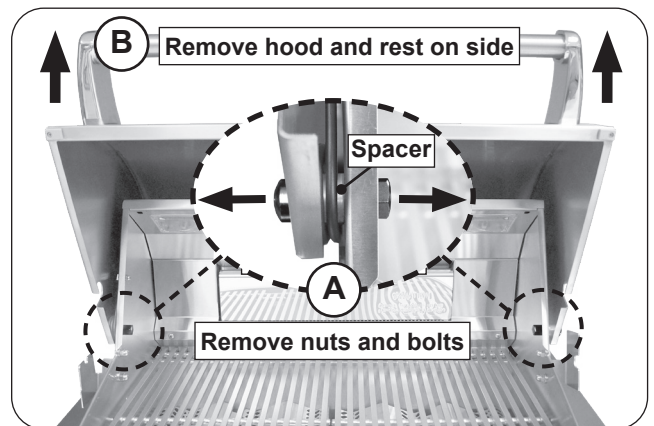


Fig. 1-2 Remove hood

Installation continued on next page

Robert H. Peterson Co. • 14724 East Proctor Avenue • City of Industry, CA 91746

5. HOOD:

If replacing a spring, remove the old spring and spring mounting hardware, then install the new spring and mounting hardware. Ensure the spring is oriented exactly as shown in Fig. 2-1.

Note: For double spring kits, repeat this step on the right side.

If installing a spring for the first time, install the spring mounting hardware and spring. Ensure the spring is oriented exactly as shown in Fig. 2-1.

6. BASE OVEN SIDE WALL:

If replacing a spring, remove the old spring mounting hardware, then install the new mounting hardware. Do not fully tighten. Leave slightly loosened to allow some play for the next step. See Fig. 2-2.

Note: For double spring kits, repeat this step on the right side.

If installing a spring for first time, inspect the base oven side wall for a small knockout (to mount the spring). Remove the knockout and install the spring mount as shown in Fig. 2-2. Do not fully tighten. Leave slightly loosened to allow same play for the next step.

7. Ensure the spacers are attached to both sides of the hood cutouts (Fig. 2-3, A), and (using two installers) carefully orient the hood back onto the grill (Fig. 2-3, B). While situating the hood, carefully insert the new spring(s) into the spring mount(s) and secure with an Allen wrench (Fig. 2-3, C).

8. Align the hood, insert the two bolts, and fully secure with nuts as shown in Fig. 2-4.

Note: Ensure notches on nuts are fully inserted into the cutouts to ensure proper alignment before securing.

9. Fully tighten the spring mount(s) from inside the base oven. Reference Fig. 2-2.

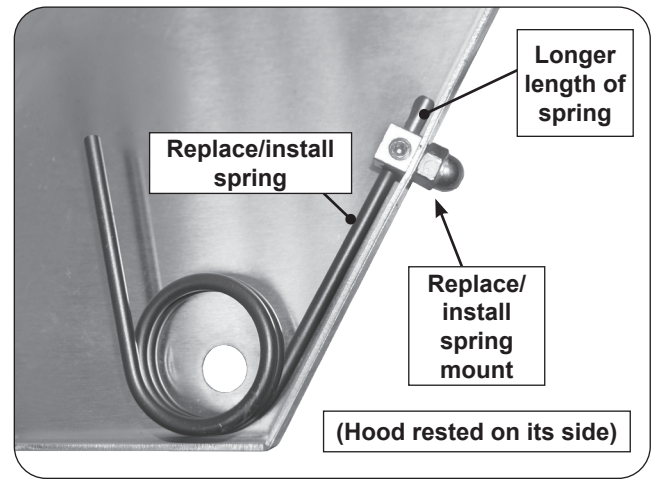


Fig. 2-1 Replace/install spring and spring mount (on hood)

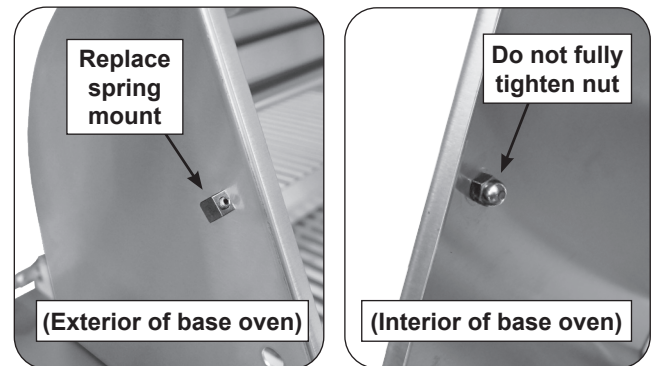


Fig. 2-2 Replace/install spring mount (on base oven)

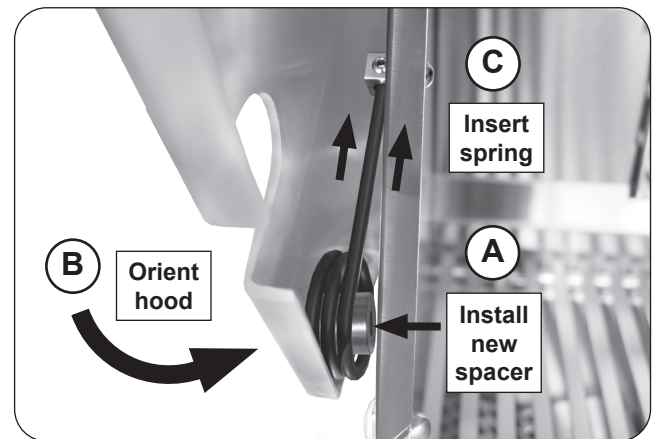


Fig. 2-3 Install hood

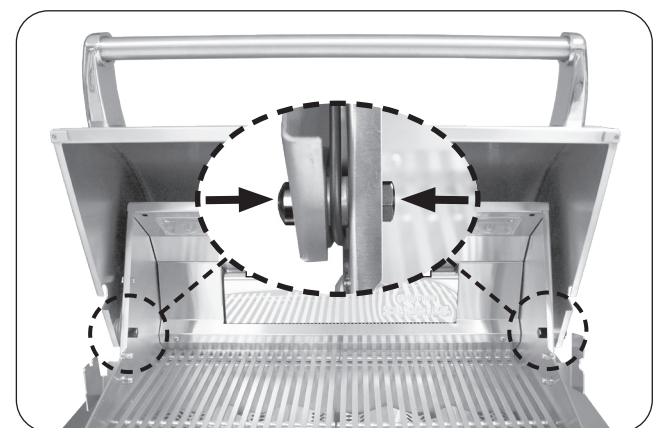


Fig. 2-4 Secure hood with nuts and bolts