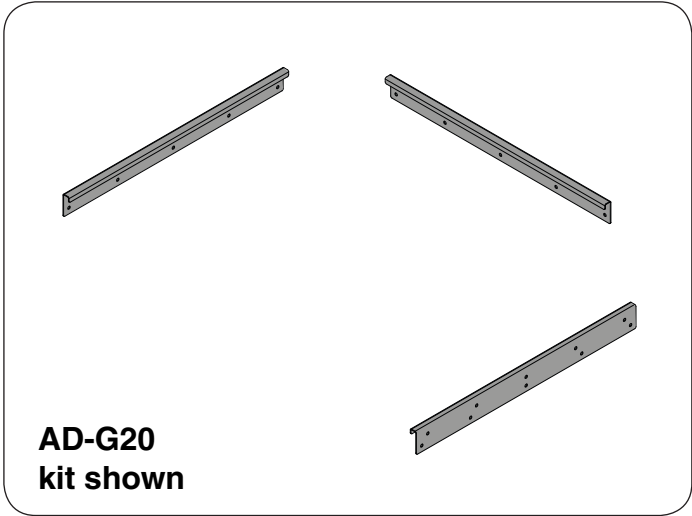




ISLAND ENCLOSURE SPACER KIT

Model # AD-G20
AD-SB20

INSTALLER: Leave these instructions with consumer.
CONSUMER: Retain for future reference.



AD-G20
kit shown

This spacer kit is used to give additional support to the hangers, maintain an even air gap around the cutout, and prevent the unit from sliding. Kit model AD-G20 (3 pcs) is designed for use with grills and AD-SB20 (2 pcs) is for side cookers. To install; follow the steps below:

1. Completely read and follow the grill owners's manual for enclosure installation.
2. Place a panel onto the left sidewall of the countertop cutout. The panel must be flush with the front edge of the cutout, and flush with the countertop surface. See Fig. 1-1. Fasten the panel using the appropriate hardware (not included).
3. Repeat for the right sidewall of the countertop cutout.
4. Place the 3rd panel (if equipped) to the rear wall of the countertop cutout. The panel must be centered from left to right and flush with the countertop surface. See Fig. 1-1. Fasten the panel using the appropriate hardware (not included).
5. Refer to the instructions provided with your grill or side cooker for its installation.

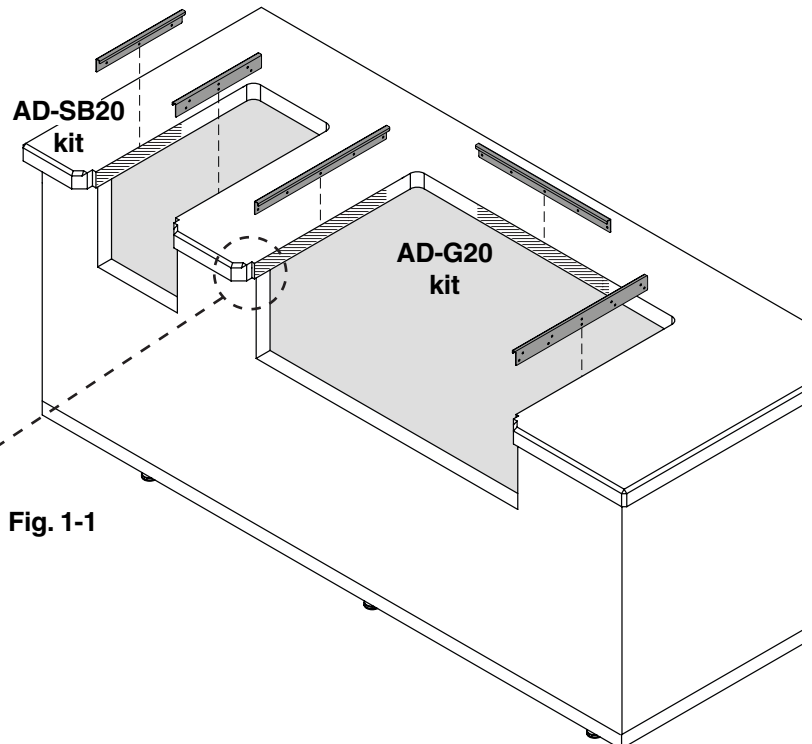
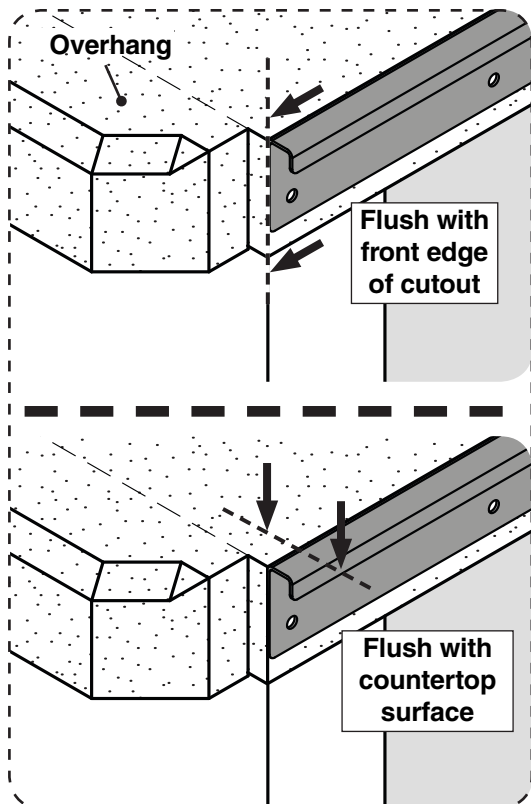


Fig. 1-1