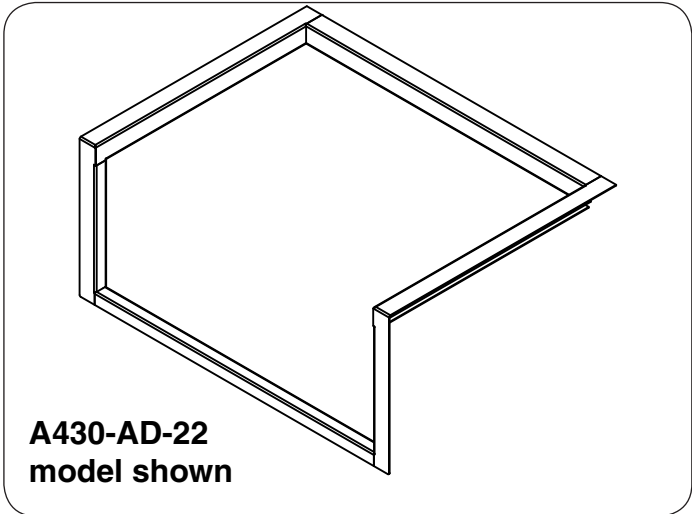




# ISLAND OPENING ADAPTER KIT

Model # A430-AD-22  
A430-AD-23

**INSTALLER:** Leave these instructions with consumer.  
**CONSUMER:** Retain for future reference.

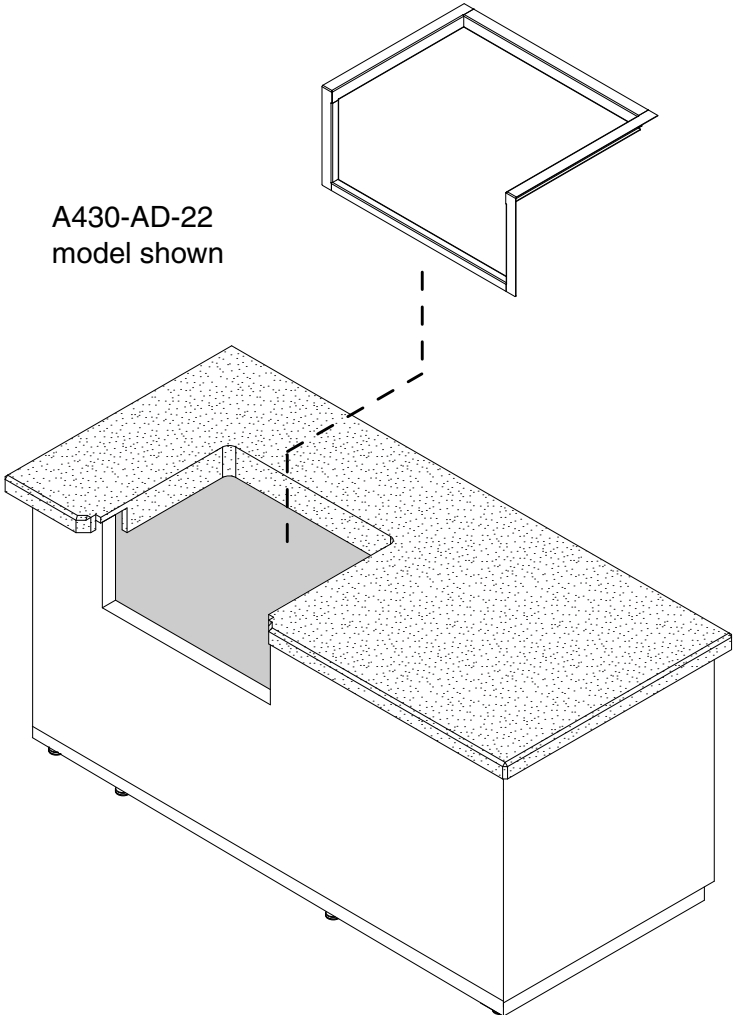


A430-AD-22 model shown

This adapter kit allows for your Aurora A430i grill to be installed into a previous existing island enclosure sized for custom I or custom II slide in grills. To install; follow the steps below:

1. Place the adapter kit into the grill cutout of the island enclosure.
2. Fasten the adapter kit to the island enclosure using appropriate hardware (not included).
3. Refer to the instructions provided with your grill for its installation.

Adapter model	Compatible with existing cutout
A430-AD-22	Custom I
A430-AD-23	Custom II



A430-AD-22 model shown