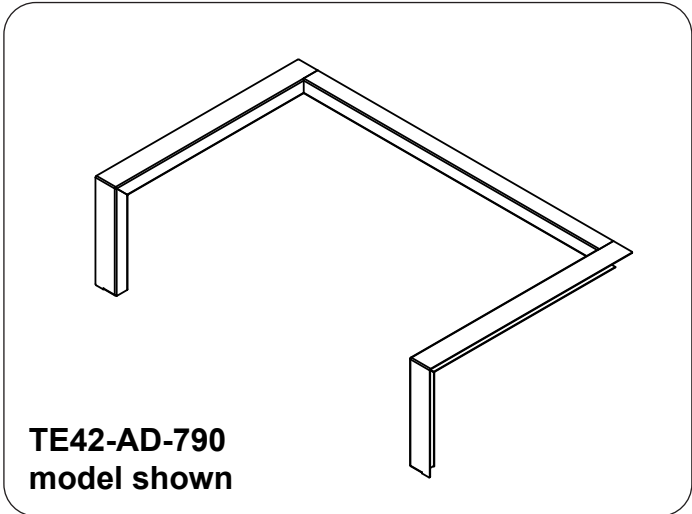




# ISLAND OPENING ADAPTER KIT

Model # TE36-AD-660  
TE42-AD-790  
TE54-AD-1060

**INSTALLER:** Leave these instructions with consumer.  
**CONSUMER:** Retain for future reference.

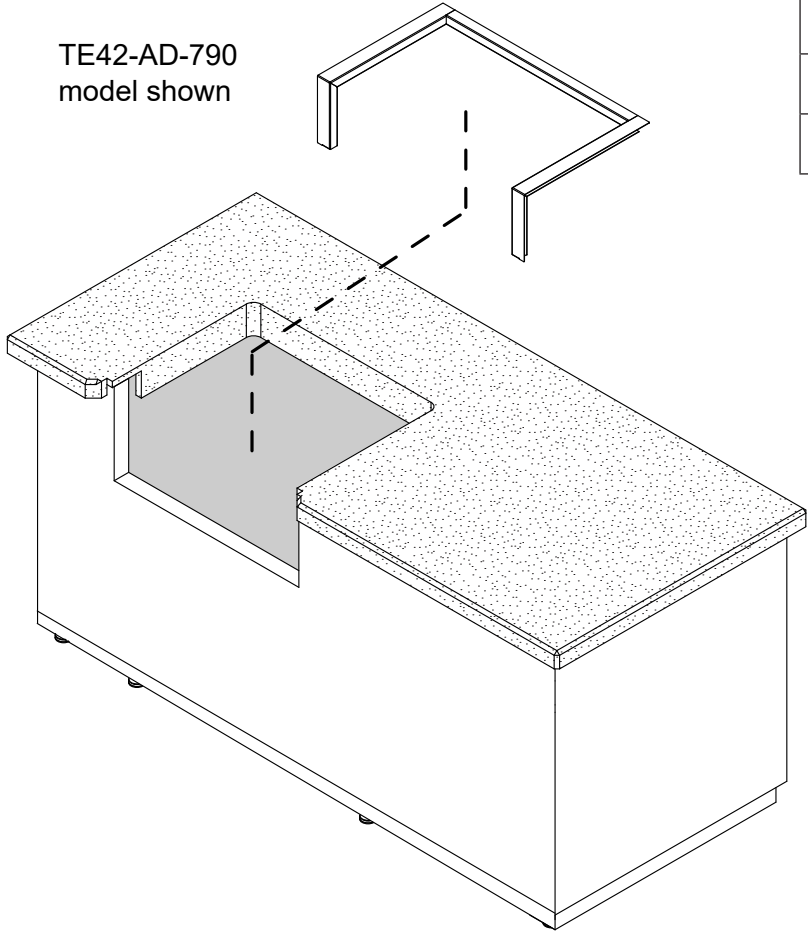


**TE42-AD-790  
model shown**

This adapter kit allows for your (A,E)660, (A,E)790, or E1060 Series Grill to be installed into a previous existing island enclosure sized per the dimension shown in Table 1. To install; follow the steps below:

1. Place the adapter kit into the grill cutout of the island enclosure.
2. Install the grill into the island cutout per to the instructions provided with your grill.

TE42-AD-790  
model shown



Adapter model	Compatible with existing cutout (WxDxH)
TE36-AD-660	34 <sup>1</sup> / <sub>4</sub> x 24 <sup>1</sup> / <sub>4</sub> x 11 <sup>3</sup> / <sub>4</sub>
TE42-AD-790	40 <sup>1</sup> / <sub>4</sub> x 24 <sup>1</sup> / <sub>4</sub> x 11 <sup>3</sup> / <sub>4</sub>
TE54-AD-1060	52 <sup>1</sup> / <sub>4</sub> x 24 <sup>1</sup> / <sub>4</sub> x 11 <sup>3</sup> / <sub>4</sub>

Table 1