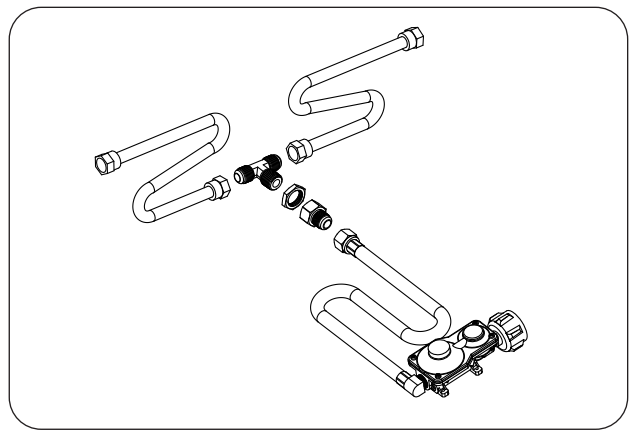




High-Capacity L.P. Dual Appliance Connection Kit (175k BTU Max.)

Model # 5110-28

INSTALLER: Leave these instructions with consumer.
CONSUMER: Retain for future reference.



This High-Capacity L.P. Dual Appliance Connection Kit is designed for use with an optional Fire Magic Door with L.P. Tank Tray, and an optional Fire Magic Gas Connection Box with Double Timer. These optional components (door with tank tray and double timer) are recommended as they meet all safety requirements for proper use of this connection kit.

In addition to following all installation guidelines and requirements for this kit, ALL guidelines and requirements found in the owner's manuals included with the Fire Magic appliances, Island Enclosure, Door with L.P. Tank Tray, Double Timer Box, and any other components used with this kit MUST BE FOLLOWED.

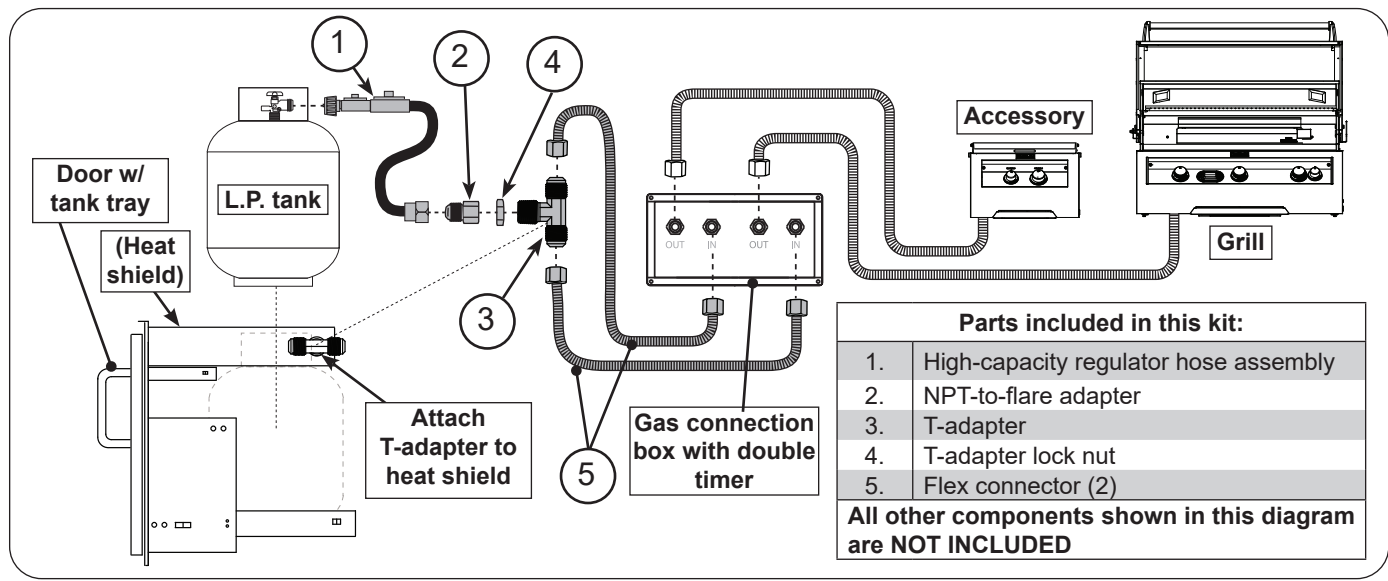


Fig. 1-1 Installation diagram

INSTALLATION

Installation of this kit is demonstrated with use of an Echelon Grill, Echelon Power Burner, Door with Tank Tray, and a Gas Connection Box with Double Timer. Your individual installation may vary.

Installation must only be performed by a qualified professional service technician.

Note: It is recommended that the double timer box be located directly above the door with tank tray for easiest reach to all connections.

If this kit is not used with a Fire Magic Door with Tank Tray, the installer MUST:

- provide a non-combustible heat shield to protect the regulator hose assembly, and cylinder valve
- follow **ALL** requirements and guidelines found in the owner's manuals provided with the appliances
- secure the T-adapter to a rigid surface of the enclosure

See Fig. 1-1 above for an overall diagram of installation.

If this kit is not used with a gas connection box with double timer, the appliance flex hoses may be connected directly to the T-adapter.

Proceed to following page to install this kit with the recommended components.

1. Locate the door with tank holder. If the propane tank is currently installed, disconnect and remove the propane tank, and disconnect any adapters that are mounted to the heat shield side wall (as applicable). See Fig. 2-1.
2. Locate the T-adapter included with this kit and secure the adapter to the cutout with the provided lock nut as shown in Fig. 2-2.
3. Attach the NPT-to-flare adapter to the T-adapter as shown in Fig. 2-2.

Note: Use a pipe joint compound resistant to all gasses on all NPT pipe fittings. Make sure to tighten every fitting securely. **Do not use pipe point compound to connect flare fittings.**

4. Attach the hose-end of the high-capacity regulator hose assembly (included with this kit) to the adapter (see Fig. 2-2).
5. Connect a flex connector (included with this kit) to an open inlet of the T-adapter. Secure the other end of the flex connector to the inlet labeled "IN" on the back of the double timer box (see diagram on previous page).
6. Repeat step 5 for the second flex connector and secure to the other inlet of the timer box.
7. Connect the flex connectors (coming from the grill and side cooker accessory) to the corresponding outlets labeled "OUT" on the rear of the timer box (see diagram on previous page).
8. Properly secure the L.P. cylinder to the tank tray and attach the regulator hose assembly to the L.P. cylinder. See the GAS SAFETY INFORMATION and SAFE USE & MAINTENANCE OF PROPANE GAS CYLINDERS sections of your appliance owner's manual.
9. Leak test all newly made connections. Refer to the appliance owner's manual if needed.
10. Complete installation of all appliances/components as needed per the provided owner's manuals.

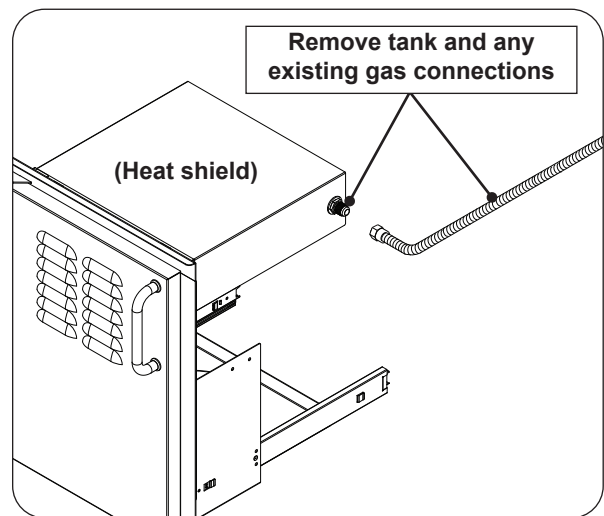


Fig. 2-1 Remove existing gas connections

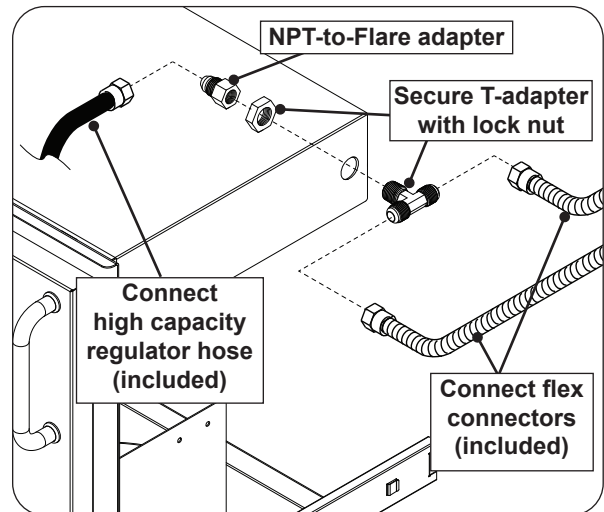


Fig. 2-2 Install new adapters and hoses