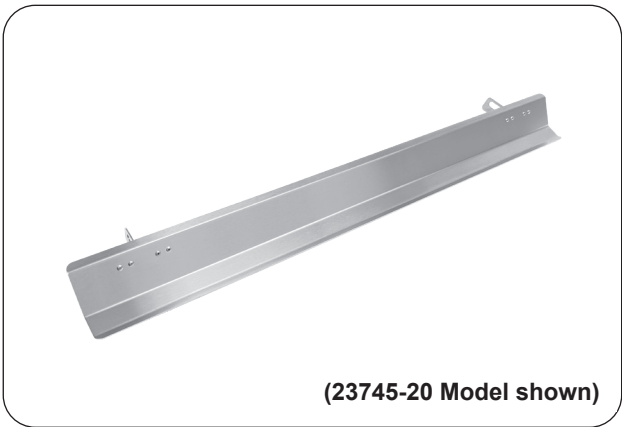




# WIND DEFLECTOR

(Compatible with vertical lids)

**INSTALLER:** Leave these instructions with consumer.  
**CONSUMER:** Retain for future reference.



This wind deflector is only for installation on Fire Magic Grills equipped with a vertical lid. See Fig. 1-1. If your grill is not equipped with a vertical lid, contact your local dealer to obtain the correct wind deflector.

See Table 1 below for wind deflector model numbers and grill compatibility.

	Wind Deflector Model #			
	23728-19	23732-20	23745-20	23747-20
<b>Grill Models</b>	(A,C)430, A830	(A,C)540, (A,E)660	C650, (A,E)790	E1060

**Table 1**

The wind deflector allows for proper performance of your grill when subjected to windy conditions.

## INSTALLATION

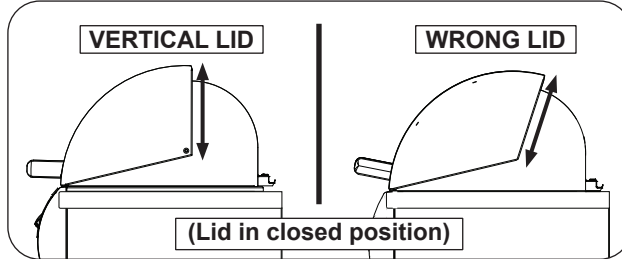
**Note:** Wear protective gloves when handling metal components that may have sharp edges.

1. Be sure the unit is completely cool and the control knobs are turned to the OFF position.
2. Take the wind deflector and orient the mounting brackets to match as shown in Fig. 1-2.
3. Align the wind deflector to the oven lid (see Fig. 1-3), centering it from left to right.

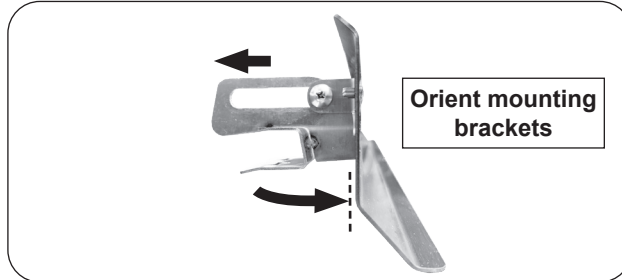
**Important:** The wind deflector **MUST** be installed centered, so as to clear the lid-stop brackets when the oven lid is opened (see Fig. 1-4).

4. Carefully slide the wind deflector brackets onto the oven lid, until the bracket **tabs "click" and lock** the wind deflector in place.

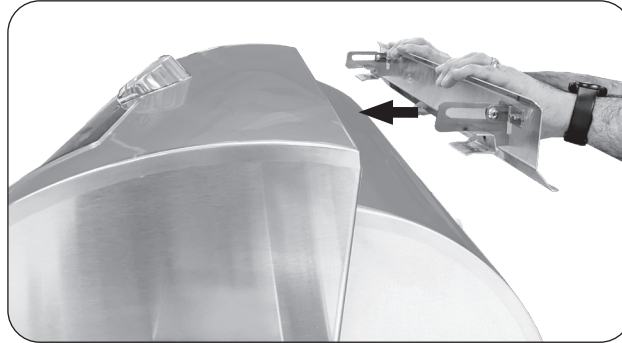
**Note:** The wind deflector is designed for permanent installation.



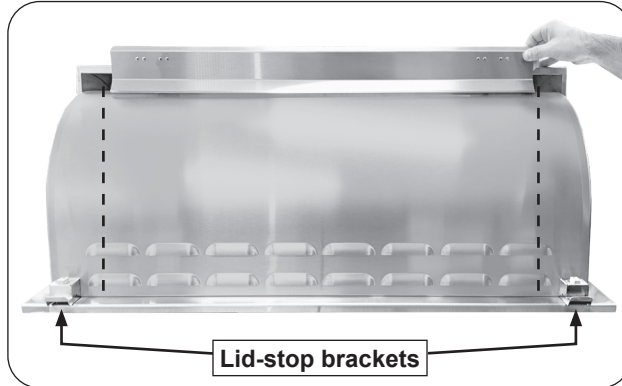
**Fig. 1-1** Vertical lid example



**Fig. 1-2** Mounting bracket orientation detail



**Fig. 1-3** Wind deflector placement



**Fig. 1-4** Wind deflector alignment