

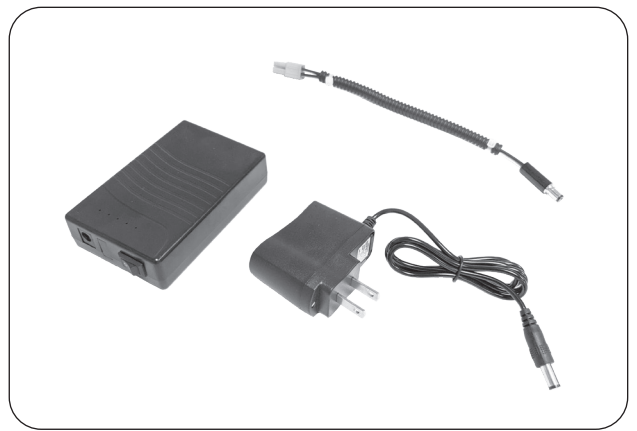
# FIREMAGIC®

## BATTERY PACK

FOR PIZZA OVEN (2024 MODELS AND UP)

Model# 5660-01

**INSTALLER:** Leave these instructions with consumer.  
**CONSUMER:** Retain for future reference.



This battery pack is designed to be used with Pizza Oven 2024 and up models only. The battery pack allows the unit to be used when electricity is not available (e.g. during a power outage).

### CHARGE BATTERY BEFORE INSTALLATION

1. Locate the battery pack power adapter included with the kit and connect the cable to the battery pack.
2. Connect the power adapter to a power outlet.
3. Flip the switch on the battery pack to the ON position.
4. Allow the battery pack to charge until all 5 green lights are illuminated.
5. Once fully charged, flip the power switch to the OFF position and disconnect the power cable from the battery pack. See Fig. 1-1.

### INSTALLATION

1. Locate and disconnect the harness extension from the pizza oven power supply, see Fig. 1-2.
2. Take the battery pack harness (included with this kit) and connect it to the pizza oven harness extension, see Fig. 1-3.
3. Connect the other end of the harness to the battery pack.
4. Place the battery pack in a safe location inside the pizza oven enclosure elevated from the ground.

### BATTERY PACK OPERATION

1. Ensure the battery pack has a full charge and press the power switch on the battery pack. Confirm that the LED lights are illuminated.
  - The battery pack provides power to both the operating controls and the internal oven light. To prolong the battery life while using the oven for extended periods, it is advised to limit the usage of the oven light.
2. Power ON the pizza oven and use as normal.
  - WHEN NOT IN USE, turn off the battery pack, disconnect it and store it indoors.

More information on back

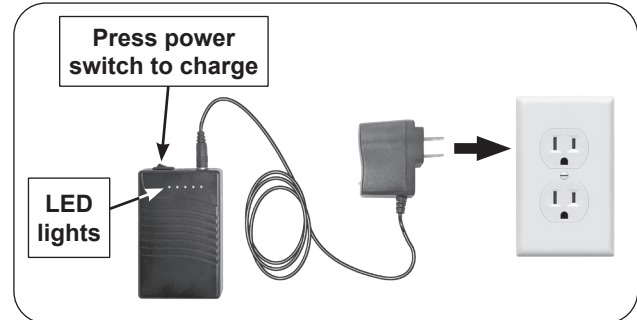


Fig. 1-1 Charge battery pack

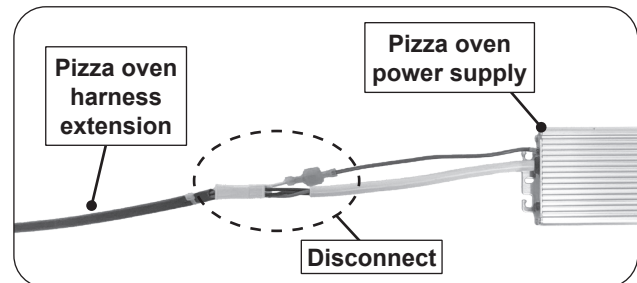


Fig. 1-2 Disconnect harness from power supply

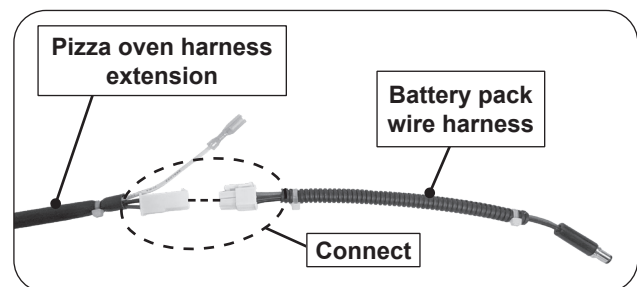


Fig. 1-3 Connect battery harness to oven harness

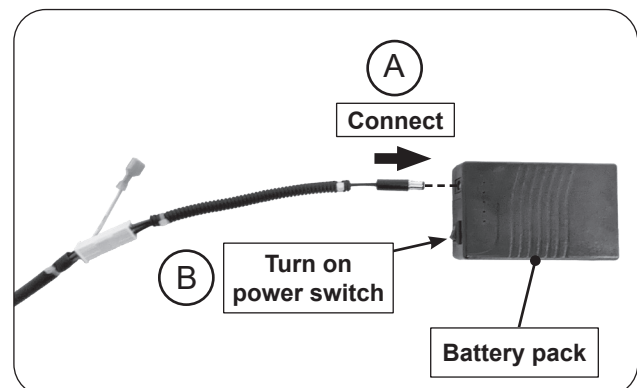


Fig. 1-4 Connect harness to battery pack

## CAUTION

- Handle and store the battery with care, avoiding exposure to high impacts, water, and rain. When transporting, ensure proper protection for the battery.
- Avoid leaving the battery in a low voltage state for an extended period. To prolong its service life, it is recommended to recharge it every three months.
- Do not expose the battery to fire or water.
- Do not modify or disassemble the battery.
- Refrain from heavily impacting or throwing the battery.
- Keep the battery out of reach of children.
- Use the original charger provided with the kit to charge the battery.
- Store the battery in a cool, dry indoor location, avoiding exposure to flooding or rain.
- If any abnormality or malfunction occurs during charging or usage, contact your dealer.