



# 1-Hour Automatic Timer Shut-Off Valve

**INSTALLER:** Leave these instructions with consumer.  
**CONSUMER:** Retain for future reference.

**Model# 3092D**

**WARNING: AFTER EACH USE:**

- MAKE CERTAIN THAT THE APPLIANCE CONTROL KNOBS ARE IN THE **OFF** POSITION
- IF TIMER IS ON, SLOWLY TURN IT TO THE **OFF** POSITION
- **TURN OFF THE PRIMARY GAS SUPPLY SHUT-OFF VALVE TO COMPLETELY SHUT OFF THE GAS TO YOUR APPLIANCE**

**SPECIFICATIONS**

- 100,000 B.T.U., Natural Gas @ 0.6 SP. @ 7" w.c.
- 100,000 B.T.U., Propane Gas @ 1.53 SP. @ 11" w.c.
- Maximum working pressure not to exceed 1/2 P.S.I.G.
- Maximum ambient operating range: from 0° F (-18° C) to 175° F (79.4° C).

**INSTALLATION REQUIREMENTS**

- Timer **MUST** be installed in accordance with local codes or, in the absence of local codes, in accordance with the National Fuel Gas Code ANSI Z223.1/NFPA54, or the Natural Gas & Propane Installation Code, CSA B149.1, as applicable.
- Timer **MUST** be installed in-line between the required primary gas supply shut-off valve and the gas appliance.
- Timer **MUST NOT** be used as the primary gas supply shut-off valve.
- Timer **MUST** be installed a minimum of 18" away from the appliance or it will overheat, causing damage to the timer and may result in a leak.
- Timer **MUST** be installed within 6 feet of the appliance. If it is located within the appliance enclosure, it must be easily accessible.
- Timer **MUST** be protected from high temperatures and outdoor elements.
- Use pipe joint compound resistant to all gasses on all NPT fittings **except flare fittings**. Be sure to leak test at all connections.

**INSTALLATION**

In addition to following the CONNECT GAS SUPPLY section of the gas appliance owner's manual, install the timer in the gas supply line (between the shut-off valve and the appliance). See Fig. 1-1 and 1-2.

- Ensure you connect the line coming from the gas supply to the side marked "IN" on the timer.
- The timer accommodates 1/2" NPT piping (both ends).
- Follow ALL information found in the requirements section above, in the gas appliance owner's manual, and in Fig. 1-1 and 1-2.
- The timer can be installed horizontally or vertically.

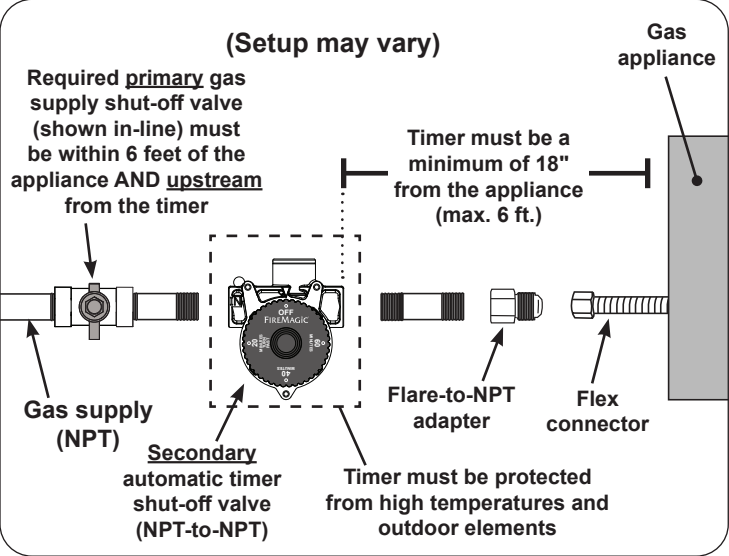


Fig. 1-1 Timer installation overview

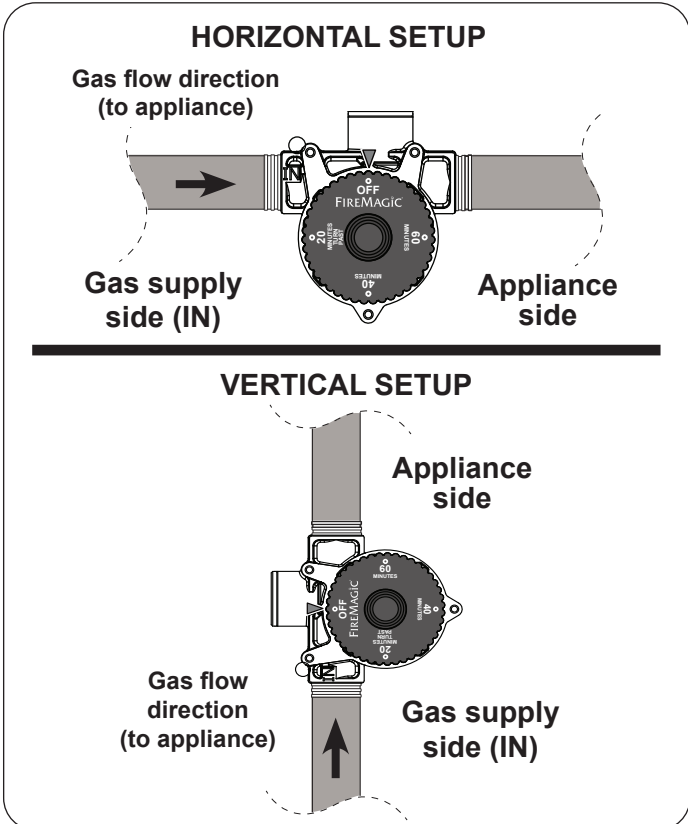


Fig. 1-2 Automatic timer shut-off valve installation detail

## OPERATION

To use, set the dial (turn clockwise) to the desired time to shut off. The dial is marked in 3 twenty minute increments (any position in between is an estimate of that set time). The timer dial will auto rotate (counter-clockwise) and will shut off the gas supply when the dial reaches OFF (i.e. the desired time is completed).

**Important:** When using the timer for periods of less than twenty minutes, you must first turn the dial past 20 minutes (to activate), then return (counter-clockwise) to the desired amount of time. This will ensure proper timer operation. See Fig. 2-1.

### WARNING: AFTER EACH USE:

- **MAKE CERTAIN THAT THE APPLIANCE CONTROL KNOBS ARE IN THE OFF POSITION**
- **IF TIMER IS ON, SLOWLY TURN IT TO THE OFF POSITION**
- **TURN OFF THE PRIMARY GAS SUPPLY SHUT-OFF VALVE TO COMPLETELY SHUT OFF THE GAS TO YOUR APPLIANCE**

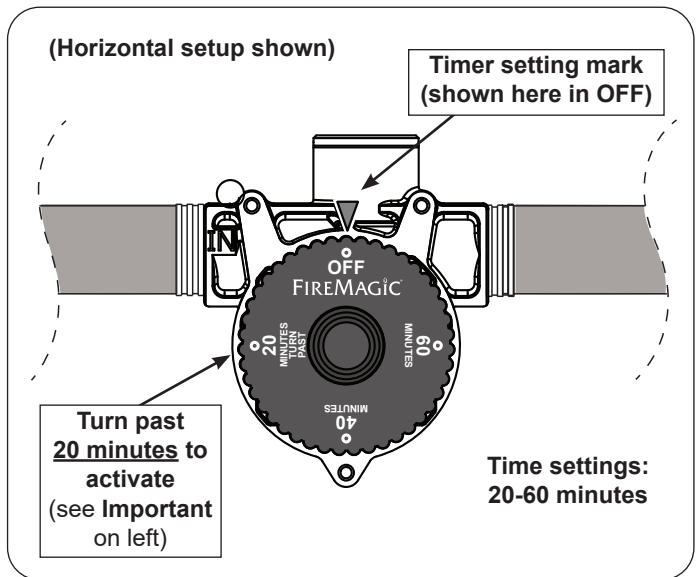


Fig. 2-1 Timer operation