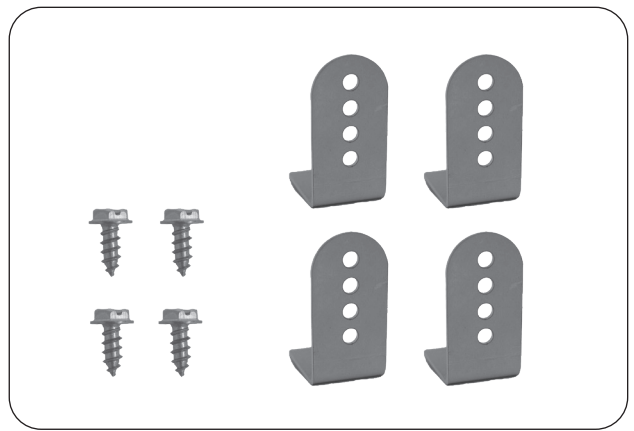




## Door/Drawer/Pantry Bracket Hardware Kit Model# BK-1

**INSTALLER:** Leave these instructions with consumer.  
**CONSUMER:** Retain for future reference.



This bracket hardware kit is designed for use with Fire Magic and AOG doors, drawers, and pantries and is compatible with Island enclosures with a wall thickness of (1 1/2" to 2 1/4") and all Fire Magic / AOG GFRC Island enclosures.

This kit includes four brackets and four screws.

**Note:** Some accessories may require two kits. Contact your local dealer for more information.

Fire Magic and AOG doors, drawers and pantries are sold separately. Reference the instructions provided with your accessories for further information on installation and operation.

### Installation

1. Insert your door/drawer completely into the opening. Ensure it is flush against the exterior wall (see Fig. 1-1 and Fig. 1-2, step 1).
2. The unit will have 2 (or more) oblong cutouts (or round holes) on both the top and bottom of its frame. Reach from within the island and insert a bracket where a cutout exists, **below the frame**. See Fig. 1-2, step 2.
3. While squeezing the rear of the bracket and the front of the door frame **firmly** against the concrete wall, insert a hex screw and tighten with the power drill and 5/16" hex driver (see Fig. 1-2, step 3). **DO NOT OVERTIGHTEN.**

**Note:** Installation may require a second person to hold the bracket against the wall from within the island enclosure.

4. Repeat this process for the remaining brackets and the remaining drawers/doors in the island.

**Note:** Only the cutouts in the top and bottom of the door and drawer frames require brackets.

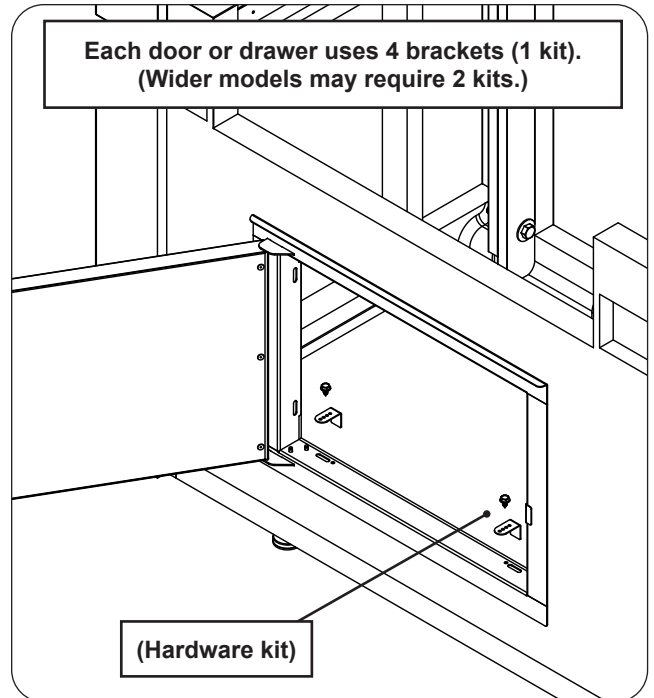


Fig. 1-1 Door / drawer install locations

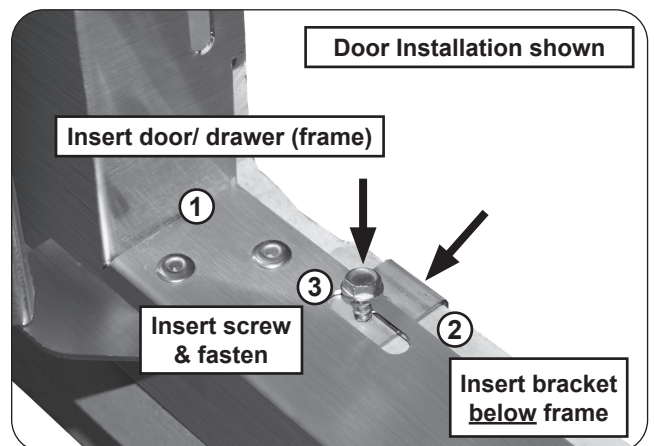


Fig. 1-2 Door / drawer install detail