

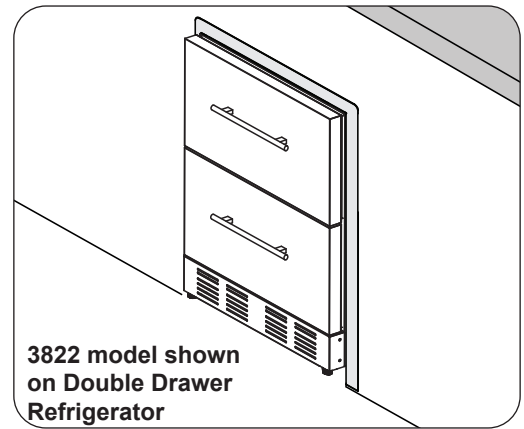
FIREMAGIC®

Trim Kit

for Dual Zone Wine/Beverage Cooler &
Cold Storage Double Drawer Refrigerator

Part # 3822

INSTALLER: Leave these instructions with consumer.
CONSUMER: Retain for future reference.



This trim kit is for installation with a Dual Zone Wine/Beverage Cooler #24-WREF-GD(L,R) and Cold Storage Double Drawer Refrigerator #24-REF-DD. To install, follow the steps below:

1. Follow all instructions in the appliance owner's manual regarding enclosure requirements, preparation and installation of the appliance. Do not insert the appliance into the cutout at this time.
2. Place the trim kit into the cutout, and fasten it into the enclosure using the pilot holes and appropriate hardware (see Fig. 1-1 and Fig. 1-2).
3. Install the appliance as instructed in the appliance owner's manual.

Note: The appliance may be installed flush to the enclosure.

Cut-out dimensions	
A Height (top to bottom) min. cut-out	35½"
B Beverage cooler width (side to side) cut-out	25"

Table 1 - Cut-out dimensions

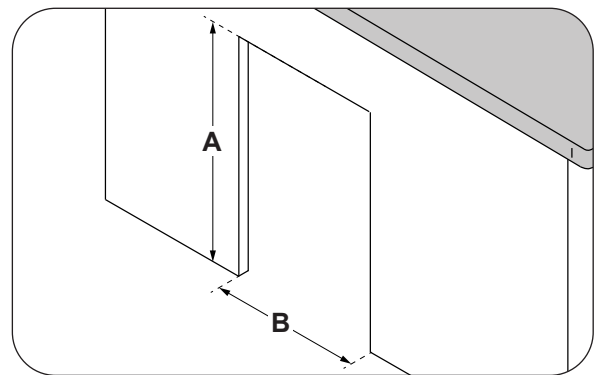


Fig. 1-1 Create cutout

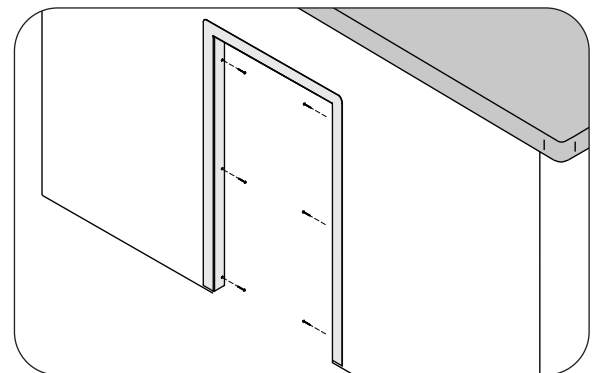


Fig. 1-2 Install trim kit