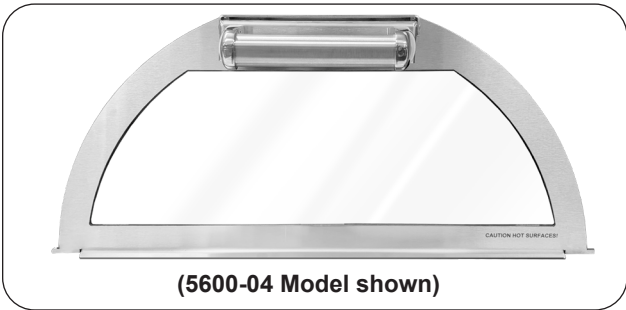




# Pizza Oven Door & Door Handle Replacement Kits



Oven Door Handle Only	Door w/ Glass (No Handle)	Complete Door w/ Handle
3900-51	5600-05	5600-04

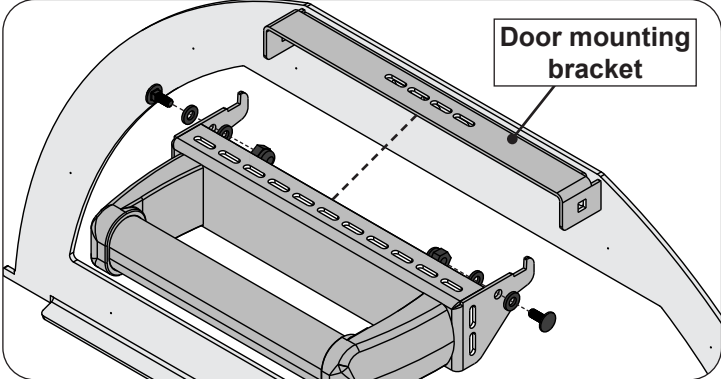
**Table 1**

These door and door handle replacement kits are for installation on Fire Magic pizza ovens.

**CAUTION:** Before installing the replacement door or door handle, ensure the appliance is OFF, completely cool and gas supply is disconnected.

### Door Handle Replacement

1. Locate the mounting hardware found underneath the door handle. Loosen and remove the nuts, washers and screws securing the handle to the door mounting bracket.
2. Carefully remove the old handle and discard.
3. Position the new door handle to the mounting bracket, align the holes and fasten with the new mounting hardware. See Fig. 1-1.



**Fig. 1-1 Install handle**

### Door Replacement

**Note:** The handle must be installed to the door when installing the door to the pizza oven.

**Important:** Make sure to wear protective gloves when installing the replacement door

1. Open the door and remove the baking rack (if installed), Cordierite pizza stone and pizza stone support frame from the oven. Reference the pizza oven owner's manual if needed for complete details.
2. Open the control panel. See Fig. 1-2. Reference the **SERVICING AND CLEANING** section of the pizza oven owner's manual if needed for complete details.

**Important:** When opening, take caution not to damage any wiring.

3. Disconnect the light wire as shown in Fig. 1-3.

**Note:** If the unit is installed in an enclosure with a closed bottom OR a cart base, it is recommended to prepare string to fish the light wire back to the front of the unit.

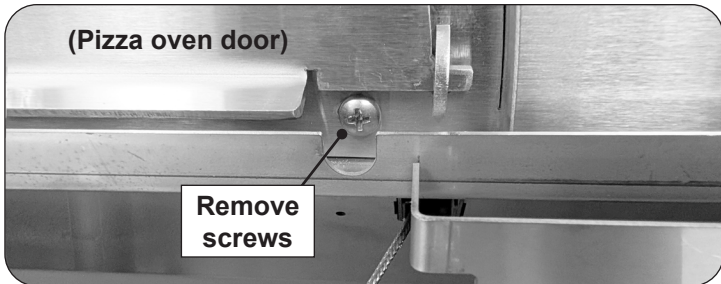
4. Using a Phillips-head screwdriver, unscrew the two front outer screws from the pizza oven lid. See Fig. 1-4.



**Fig. 1-2 Open control panel**



**Fig. 1-3 Disconnect oven light wire**



**Fig. 1-4 Remove two front outer screws**

5. With a 5/16" hex nut driver, remove the 3 hex screws from the back of the oven interior (as shown in Fig. 2-1). Retain all removed screws for later installation.

6. Carefully lift and remove the oven lid and rest on its back on a protected surface. See Fig. 2-2.

**CAUTION:** The pizza oven lid is heavy and requires two or more people for safe handling.

**Important:** Take caution to not damage the oven light wire when removing the oven lid.

7. Using non-slip pliers, remove the cotter pin (as shown in Fig. 2-3) from the retainer located on the inner right side, underneath the door.

8. Lift the right side of the door slightly. See Fig. 2-4, A. Free the door completely by sliding it to the right. See Fig. 2-4, B

9. Remove the retainer from the right side of the old door and place it onto the new replacement door. See 2-4, C.

10. Reverse these steps to install the new door and finish installation.

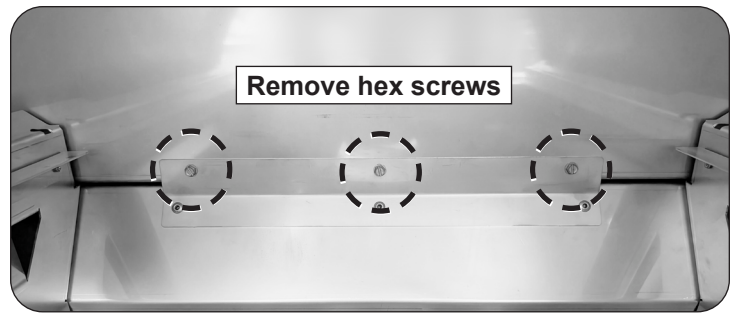


Fig. 2-1 Remove three inner hex screws



Fig. 2-2 Remove oven lid

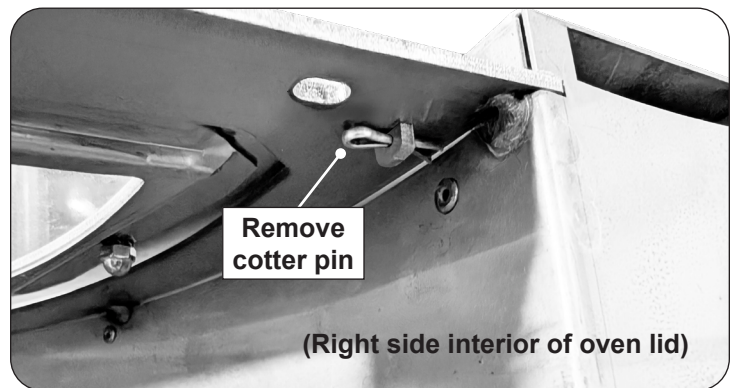


Fig. 2-3 Remove cotter pin

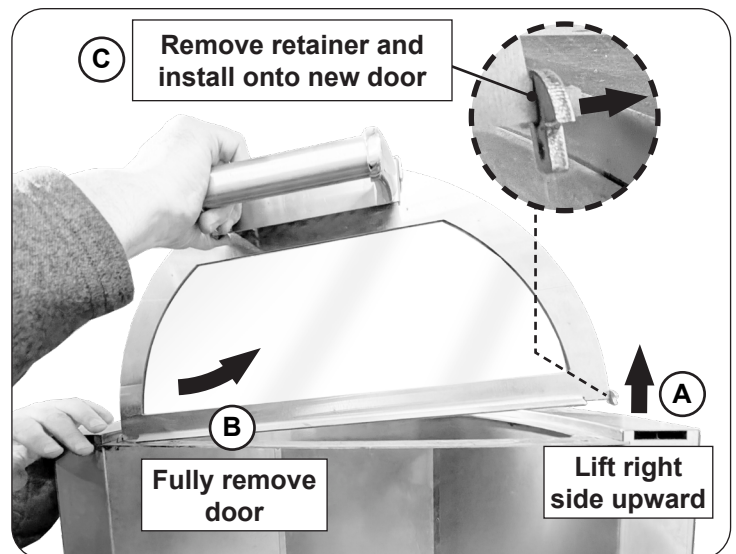


Fig. 2-4 Remove door