

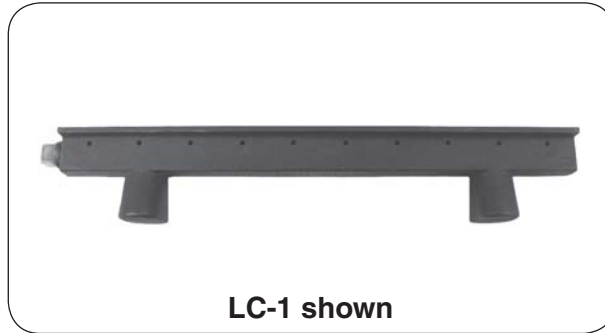


Lighter Only Models:

- LG-1
- LL-1
- LC-1

Lighter & Valve Models:

- LG-10
- LL-10
- LC-10



LC-1 shown

**CSA CERTIFIED
(valve)**

**FOR INSTALLATION IN
SOLID-FUEL BURNING
FIREPLACES**

**FOR USE WITH
NATURAL GAS ONLY**

LOG LIGHTERS

WARNING

If the information in this manual is not followed exactly, a fire or explosion may result, causing property damage, personal injury, or loss of life.

Do not store or use gasoline or other flammable vapors and liquids in the vicinity of this or any other appliance.

WHAT TO DO IF YOU SMELL GAS:

- Open a window.
- Do not try to light any appliance.
- Do not touch any electrical switch; do not use any phone in the building.
- Immediately call the gas supplier from a neighbor's phone. Follow gas supplier's instructions.
- If you cannot reach the gas supplier, call the fire department.

Installation and service must be performed by a qualified professional installer, service agency, or the gas supplier.

IMPORTANT: READ THESE INSTRUCTIONS CAREFULLY BEFORE STARTING INSTALLATION.

The Real-Fyre log lighter is to be installed only in a solid-fuel burning fireplace with a working flue and constructed of noncombustible material. The installation, including provisions for combustion and ventilation air must conform with the *National Fuel Gas Code, ANSI Z223.1/NFPA 54*, or the *CSA B149.1, Natural Gas and Propane Installation Code*, and applicable local building codes.

The chimney damper MUST be fully opened when operating this device. Adequate ventilation is absolutely necessary.

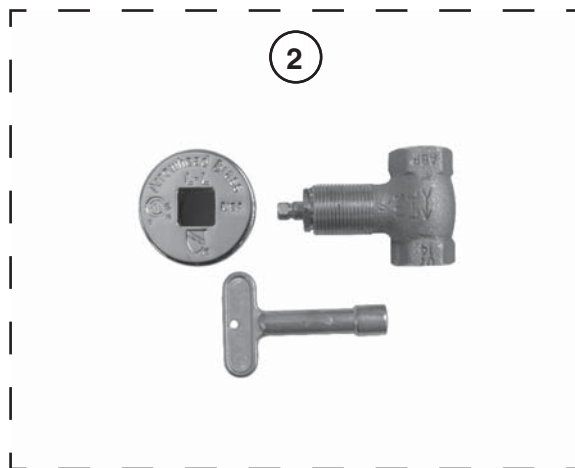
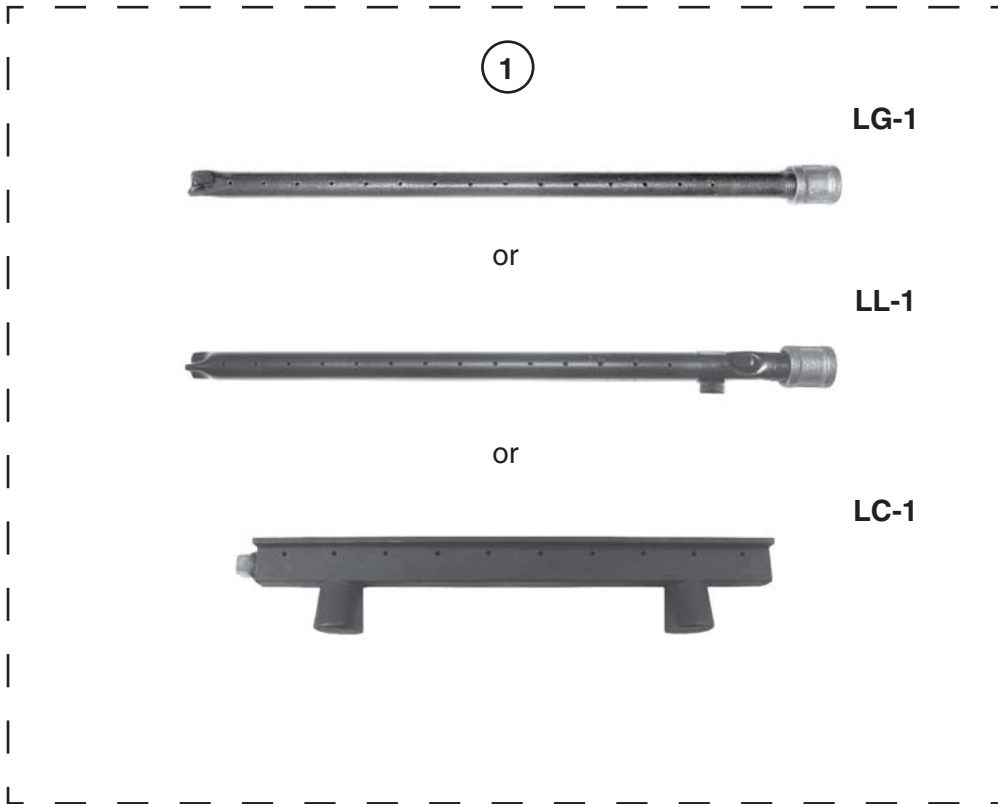


**INSTALLER:
Leave this manual with the appliance.**

**CONSUMER:
Retain this manual for future reference.**

REPLACEMENT PARTS LIST

Item	Description	Part No.	Qty.
1.	Rigid single gas log lighter	LG-1	1
	Gasaver single gas log lighter	LL-1	
	14" cast iron gas log lighter	LC-1	
2.	Straight line gas valve (if equipped)	AV-30	1



INSTALLATION

FOR USE WITH NATURAL GAS ONLY. Installation must be performed by a qualified professional service technician. **Fireplace floor must be level, clean, and smooth.**

WARNING: Failure to position the parts in accordance with these diagrams or failure to use only parts specific for with this appliance may result in property damage or personal injury.

1. MAKE SURE THE FIREPLACE GAS SUPPLY IS TURNED OFF.
2. Remove the existing fireplace grate. Ensure the fireplace is cleaned of all ashes.

If your model was equipped with a gas valve, follow step 3, if not, proceed to step 4.

3. The gas valve must be installed by a qualified professional service technician per the orientation shown in Fig. 3-1. All connections must be tested for leaks prior to proceeding.
4. Make sure the fireplace gas supply is turned off. Locate the gas-supply stub inside the fireplace and remove the cap, if attached (reference Fig. 3-2).

CAUTION: When removing the cap, make sure the stub does not turn, loosening the connection inside the wall.

5. Place the log lighter in the fireplace so that it is centered, and the ports are facing upward (see Fig. 3-3).

Note: For LG-1 models, the burner ports face forward.

Note: For LL-1 models, adjust the air shutter to a $\frac{1}{4}$ " opening.

6. The log lighter must be secured in a rigid manner. Run $\frac{1}{2}$ " pipe from the gas stub to the lighter. Use a pipe compound resistant to all gasses on all NPT connections. Tighten securely. See Fig. 3-3.

7. **LEAK TEST:** Use a long-necked butane lighter, or lay a lighted match next to the burner ports on the log lighter, and carefully turn on the gas supply until the log lighter ignites. Test at all connections for leaks using the appropriate soapy water solution. If bubbles appear, a leak is present. Turn off the gas and tighten at all connections. Repeat until no leaks are present. If a leak persists, turn off the gas supply and contact the local gas company or dealer. **NEVER USE A FLAME TO CHECK FOR LEAKS.**

Important: For LL-1 models, adjust the air shutter if needed. The flames should burn evenly along the entire log lighter with a steady flame (mostly blue with yellow tipping).

8. Turn off the gas supply and replace the fireplace grate.

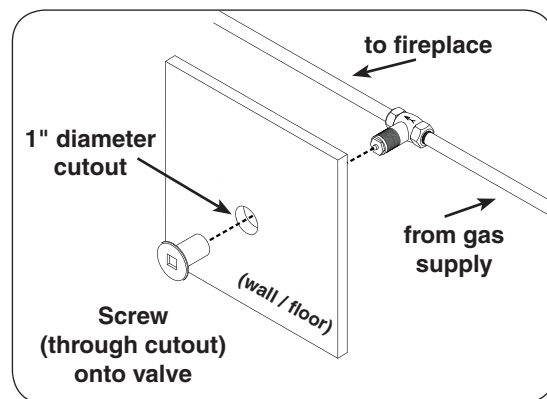


Fig. 3-1 Gas valve orientation

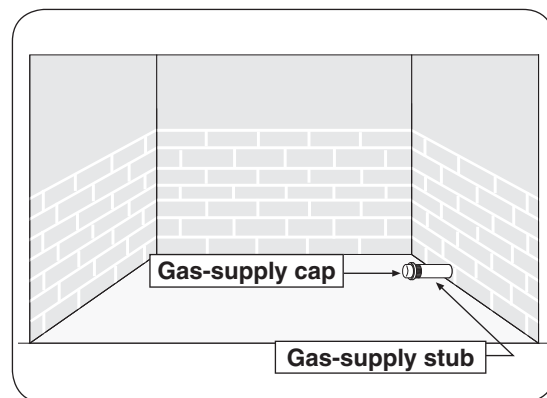


Fig. 3-2 Remove gas-supply cap

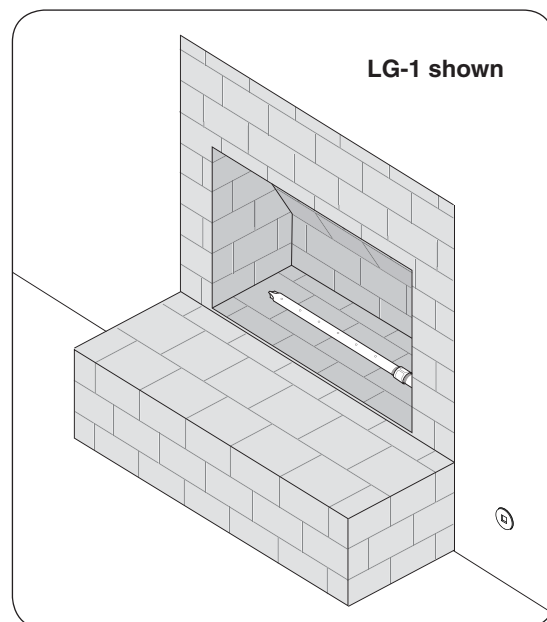


Fig. 3-3 Install log lighter in fireplace

LIGHTING

Before operating your log lighter:

1. Be sure your fireplace is free from flammable liquids.
2. Be sure your damper is open.
3. Smell all around the gas log set for the odor of escaping gas. IF YOU SMELL GAS, FOLLOW THE INSTRUCTIONS ON P. 1.

To light:

1. Stack logs on the fireplace grate. Create air spaces between the logs for quick lighting.
1. Use a long-necked butane lighter, or lay a lighted match next to the burner ports on the log lighter (Fig. 4-1).
2. Slowly turn the fireplace remote valve to the **ON** position. Your log lighter should light. Proceed to step 6. If it does not; follow steps 3-5.
3. If the log lighter does not light before the match goes out, immediately turn the valve to the **OFF** position.
4. Wait approximately five (5) minutes to clear out any gas, and repeat steps 1-3 above.
5. If your log lighter fails to light again, turn the valve to the **OFF** position and contact your dealer or gas supplier.
6. Once the wood fire is lit, turn the valve to the **OFF** position. Be sure the valve is turned fully off to avoid any gas leakage.

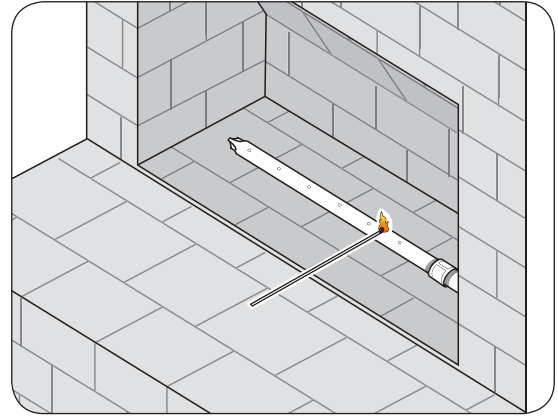


Fig. 4-1 Apply match - then turn on gas

MAINTENANCE

Be sure the gas valve is completely off, the wood fire is completely extinguished (including embers), and that the fireplace is cool. Using heat-resistant gloves, carefully remove any debris and ash from the fireplace to avoid blockage of the burner ports. A brush may be used to dust the log lighter.