



# Vented Burner Sizing & Installation Requirements

Follow ALL installation requirements found in the product Installation Manual.

# Table of Contents

## Vented Burners

I.	P4	<u>Important Operational Information</u>	
II.	P5	Ash Lip /Recessed Hearth & Glass Door Detail for standard burners.	
III.	P6	Ash Lip /Recessed Hearth & Glass Door Detail for see-thru burners.	
IV.	P7	Safety Pilot Kits for Match-Lit Burners.	
V.	P8	<u>Vented Standard Burners</u>	
VI.	P9	Important Information Regarding Dimensions.	
VII.	P10	<b>G4</b> Burner - Match Light.....	Twinning/Radco Listed.
		- With Safety Pilot Kit.....	Twinning/Radco Listed.
		<u>(Optional Ignition System: SPK-26(P), APK-10(P), APK-11(P), APK-15(P), APK-17(P), EPK-2(P))</u>	
VIII.	P11	<b>G45</b> Burner - Match Light.....	Twinning/Radco Listed.
		- With Safety Pilot Kit.....	Twinning/Radco Listed.
		<u>(Optional Ignition System: SPK-26(P), APK-10(P), APK-11(P), APK-15(P), APK-17(P), EPK-2(P))</u>	
IX.	P12	<b>G45</b> Burner - Factory Installed Ignition Systems.....	ANSI Certified.
X.	P13	<b>G46</b> Burner - Factory Installed Ignition Systems.....	ANSI Certified.
XI.	P14	<b>G52</b> Burner - Match Light.....	ANSI Certified.
		- Factory Installed Ignition Systems.....	ANSI Certified.
XII.	P15	<b>G31</b> Burner - Match Light.....	ANSI Certified
		- Factory Installed Ignition Systems.....	ANSI Certified.
XIII.	P16	<b>P45</b> Burner - Match Light.....	ANSI Certified
		- Factory Installed Ignition Systems.....	ANSI Certified.

- XIV.** P17 Vented See Thru Burners
- XV.** P18 Important Information Regarding Dimensions.
- XVI.** P19 **G45-2** Burner - Match Light.....Twinning/Radco Listed.
- XVII.** P20 **G45-2** Burner - Factory Installed Ignition Systems.....ANSI Certified.

**RH. PETERSON Co.**  
**Minimum Fireplace Sizes**  
**Real Fyre Vented Gas Logs Sets**

**Important Operational Information**

**This Information applies to all the gas log sets in this document.**

**An adult must be present while the gas appliance is in operation.**  
**Do not leave the unit burning unattended or while sleeping.**

# Ash Lip/Recessed Hearth & Glass Door Details for Standard Burners

## Fireplace Requirements

These requirements MUST be met:

### *Ash Lip/Recess*

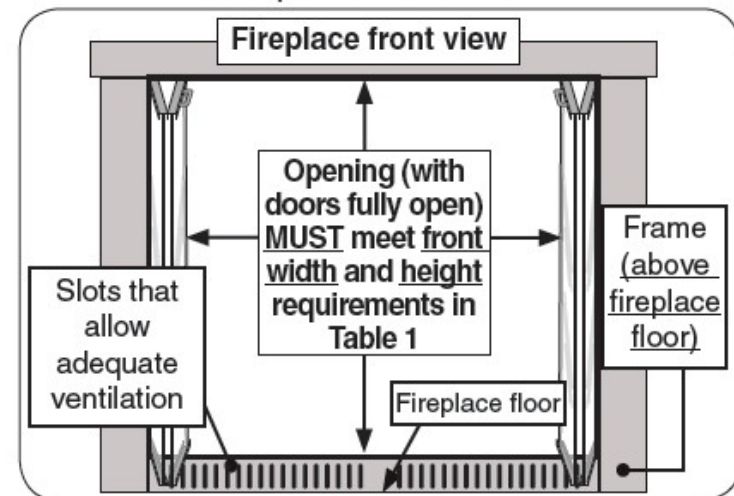
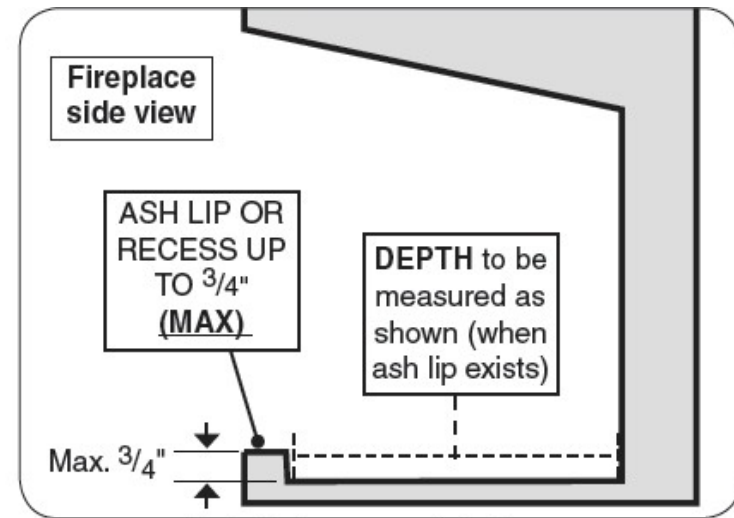
**DO NOT** install this burner system in a fireplace with an ash lip or recess greater than  $\frac{3}{4}$ ".

### *Glass Doors*

If the burner is installed in a fireplace with glass doors, and the door frame obstructs airflow to the fireplace floor, the frame MUST include ventilation slots above the floor to allow adequate airflow.

**Important:** The glass doors MUST be fully open when the burner is in operation.

**Important:** With the doors fully open, the fireplace opening MUST meet the minimum required front width and height dimensions.



# Ash Lip/Recessed Hearth & Glass Door Details for See Thru Burners

## Fireplace Requirements

These requirements MUST be met:

### Ash Lip/Recess

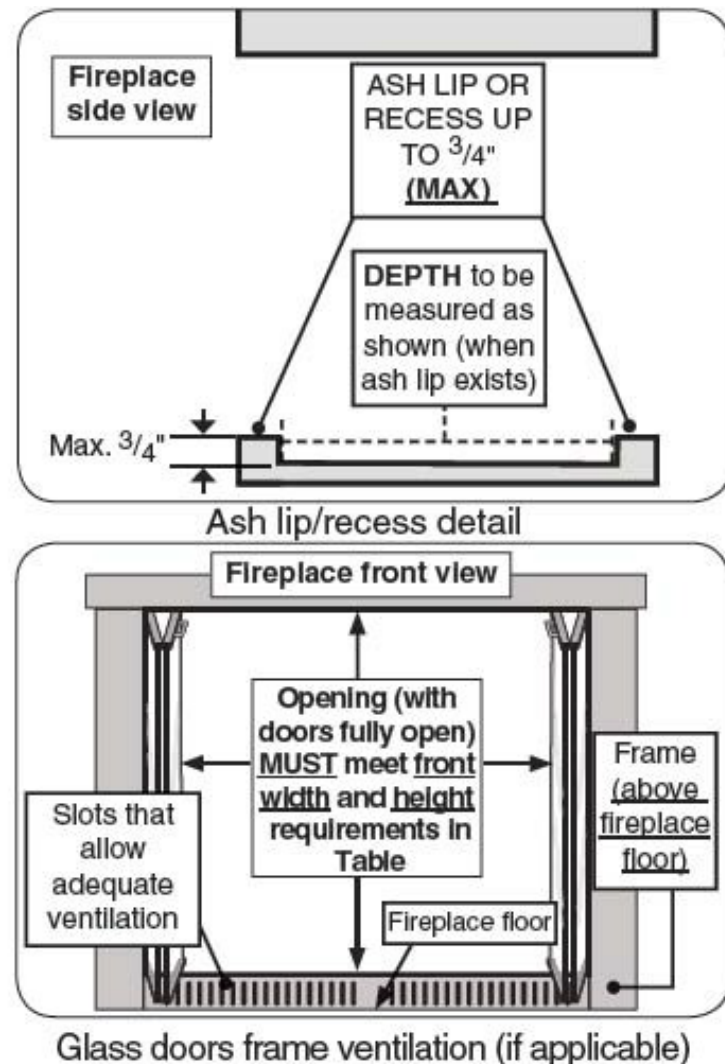
**DO NOT** install this burner system in a fireplace with an ash lip or recess greater than  $\frac{3}{4}$ ".

### Glass Doors

If the burner is installed in a fireplace with glass doors, and the door frame obstructs airflow to the fireplace floor, the frame MUST include ventilation slots above the floor to allow adequate airflow.

**Important:** The glass doors MUST be fully open when the burner is in operation.

**Important:** With the doors fully open, the fireplace opening MUST meet the minimum required front width and height dimensions.



# Safety Pilot Kits for Match-lit Burners

MATCH-LIT BURNERS DO NOT INCLUDE AN INSTALLED VALVE.

NATURAL GAS MODELS CAN BE CONNECTED TO AND OPERATED BY THE EXISTING FIREPLACE VALVE OR ONE OF THE OPTIONAL R.H. PETERSON SAFETY PILOT KITS (SEE BELOW).

**PROPANE MODELS MUST BE INSTALLED USING THE INCLUDED SAFETY PILOT KIT (SPK-26P) OR ONE OF THE OPTIONAL R.H. PETERSON SAFETY PILOT KITS (SEE BELOW).**

Contact your local Real Fyre dealer when ordering.

For safety, proper performance, and compliance with certifications, listings, and building codes, only R.H. Peterson parts and accessories may be used with the burner system.

Description	Model
Low Profile, Safety Pilot Kit	SPK-26(P)
High Capacity, Automatic Pilot Kit with basic transmitter & receiver	APK-10(P)
Automatic Pilot Kit with basic transmitter & receiver	APK-11(P)
Variable, Automatic Pilot Kit with basic transmitter & receiver	APK-15(P)
Low Profile, Variable, Automatic Pilot Kit with basic transmitter & receiver	APK-17(P)
Electronic Pilot Kit with on/off basic transmitter & receiver	EPK-2(P)
110 Volt Powered Electronic, non-standing pilot system	EPK-2M-AD(/LP)
110 Volt Powered Electronic, non-standing pilot system with variable flame height control	EPK-2V(P)-TR
High Capacity, 110 Volt Powered Electronic, non-standing pilot system w/variable flame height control	EPK-3V(P)-TR
Manual On/Off Valve with extension and knob handle or rod handle	AV-17/ AV-18



Vented Standard Burner  
Minimum Fireplace Sizes.

## Important Information Regarding Dimensions

- Required widths allow for centering of the burner.
- Required rear Width applies at the corresponding Depth. (i.e., The G4-24 match light burner requires a minimum rear width of 23" and minimum depth of 13". If the fireplace is 20" deep, the minimum width at the 13" depth point must be 23".)
- If an ash lip exists, the depth requirement begins inside of the lip (see ASH LIP/RECESS DETAIL image on page 5).
- We assume the use of a standard 1/2" bar grate for all units 30" and smaller. For all 36" and larger units, a heavy-duty 5/8" bar grate is always used. If a heavy-duty grate is used with an 18/20", 24", 30" burner, add 1" to the minimum required depth.

# G4 Burner Twining/Radco Listed

Model	BTU Rating	
	Nat. Gas	L.P. Gas
G4-12	25k	25k
G4-16/19	39k	39k
G4-18/20	75k	50k
G4-24	90k	65k
G4-30	90k	65k
[G4-36]	120k	90k
[G4-42]	130k	110k
[G4-48]	145k	115k
[G4-60]	150k	120k

**Table 1** - Product BTUs

Model (MATCH-LIT) (NAT. GAS ONLY)	Minimum Fireplace Size			
	Width*		Depth	Height
	Front	Rear		
G4-12	16"	12"	11"	15"
G4-16/19 (16" log set)	19"	16"	11"	17"
G4-16/19 (19" log set)	22"	17"	11"	17"
G4-18/20	24"	18"	13" ~	17"
G4-24	28"	23"	13" ~	17"
G4-30	34"	27"	14" ~	17"
[G4-36]	40"	34"	15"	17"
[G4-42]	46"	40"	20"	17"
[G4-48]	53"	45"	20"	17"
[G4-60]	64"	56"	20"	17"

**Table 2** - Minimum Fireplace Size: Match-lit (burner only)

Model (WITH SAFETY PILOT KIT) (NAT. OR L.P. GAS) ^	Minimum Fireplace Size			
	Width*		Depth	Height
	Front	Rear		
G4-12	21"	19"	11"	15"
G4-16/19 (16" log set)	26"	22"	11"	17"
G4-16/19 (19" log set)	26"	22"	11"	17"
G4-18/20	29"	25"	13" ~	17"
G4-24	34"	29"	13" ~	17"
G4-30	39"	34"	14" ~	17"
[G4-36]	46"	39"	15"	17"
[G4-42]	51"	45"	20"	17"
[G4-48]	58"	52"	20"	17"
[G4-60]	69"	63"	20"	17"

**Table 3** - Minimum Fireplace Size: Burner with safety pilot kit

~ Add 1" to depth when using heavy duty grate.

[ ] Bracketed models indicate non-listed models.

^ For Nat. Gas models, a safety pilot kit is optional. For L.P. models, a kit is required (use the included SPK-26P, or an optional kit) See SAFETY PILOT KITS section on page 7 for more details.

**Note:** Table 3 dimensions apply for all safety pilot kits.

# G45 Burner Twining/Radco Listed

Model	BTU Rating	
	Nat. Gas	L.P. Gas
G45-16/19	39k	39k
G45-18/20	75k	50k
G45-24	90k	65k
G45-30	90k	65k
[G45-36]	120k	90k
[G45-42]	130k	110k
[G45-48]	145k	115k
[G45-60]	150k	120k

**Table 1** - Product BTUs

Model (MATCH-LIT) (NAT. GAS ONLY)	Minimum Fireplace Size			
	Width		Depth	Height
	Front	Rear		
G45-16/19 (16" log set)	19"	16"	11"	17"
G45-16/19 (19" log set)	22"	17"	11"	17"
G45-18/20	24"	18"	13" ~	17"
G45-24	28"	23"	13" ~	17"
G45-30	34"	27"	14" ~	17"
[G45-36]	40"	34"	15"	17"
[G45-42]	46"	40"	20"	17"
[G45-48]	53"	45"	20"	17"
[G45-60]	64"	56"	20"	17"

**Table 2** - Minimum Fireplace Size: Match-lit (burner only)

Model (WITH SAFETY PILOT KIT) (NAT. OR L.P. GAS) ^	Minimum Fireplace Size			
	Width		Depth	Height
	Front	Rear		
G45-16/19 (16" log set)	26"	22"	11"	17"
G45-16/19 (19" log set)	26"	22"	11"	17"
G45-18/20	29"	25"	13" ~	17"
G45-24	34"	29"	13" ~	17"
G45-30	39"	34"	14" ~	17"
[G45-36]	46"	39"	15"	17"
[G45-42]	51"	45"	20"	17"
[G45-48]	58"	52"	20"	17"
[G45-60]	69"	63"	20"	17"

**Table 3** - Minimum Fireplace Size: Burner with safety pilot kit

~ Add 1" to depth when using heavy duty grate.

[ ] Bracketed models indicate non-listed models.

^ For Nat. Gas models, a safety pilot kit is optional. For L.P. models, a kit is required (use the included SPK-26P, or an optional kit) See SAFETY PILOT KITS section on page 7 for more details.

**Note:** Table 3 dimensions apply for all safety pilot kits.

<b>G45 ANSI Certified</b> <b>(Factory Installed Control)</b>  <b>Manual (A), 17, 11, 15, 02 Series</b>	Minimum Fireplace Size				BTU Rating	
	Width*		Depth	Height	Nat. Gas	L.P. Gas
	Front	Rear				
G45-16/19	29"	22"	11"	17"	40k	30k
G45-18/20	30"	24"	13"	17"	70k	45k
G45-24	34"	28"	13"	17"	90k	65k
G45-30	40"	34"	16"	17"	95k	75k
G45-36	46"	40"	16"	17"	110k	90k

**Table 1**

\* Add 2" to the Front width & Rear width for factory installed 02 Series.

<b>G46 ANSI Certified</b> <b>(Factory Installed Control)</b>  <b>Manual (A), 17, 11, 15, 02 Series</b>	Minimum Fireplace Size			BTU Rating		
	Width*		Depth	Height	Nat. Gas	L.P. Gas
	Front	Rear				
G46-18/20	26"	20"	15"	17"	40k	40k
G46-24	30"	24"	15"	17"	55k	55k
G46-30	36"	29"	15"	17"	65k	65k

**Table 2**

\* Add 6" to the Front width & 4" to the Rear width for factory installed 02 Series.

<b>G52 ANSI Certified (Match Light)</b>	<b>Minimum Fireplace Size</b>				<b>BTU Rating</b>
	Width*		Depth	Height	Nat. Gas
	Front	Rear			
G52-18/20 (18" log set)	28"	20"	15"	17"	46k
G52-24/30 (24" log set)	32"	24"	15"	17"	55k
G52-24/30 (30" log set)	34"	28"	15"	17"	55k

**Table 1**

<b>G52 ANSI Certified (Factory Installed Control)</b>  <b>Manual "A", 17, 02, 2VT</b>	<b>Minimum Fireplace Size</b>				<b>BTU Rating</b>			
	Width*		Depth x	Height	Nat. Gas		L.P. Gas	
	Front	Rear +			High Setting	Low Setting ^	High Setting	Low Setting ^
G52-18/20 (18" log set)	28"	20"	15"	17"	46k	33k	36k	27k
G52-24/30 (24" log set)	32"	24"	15"	17"	55k	37k	46k	26k
G52-24/30 (30" log set)	34"	28"	15"	17"	55k	37k	46k	26k

\* These required widths allow for centering of the unit.  
For 02 models, add 2" to both front and rear width.  
+ Rear width is at corresponding depth  
x If an ash lip exists, the width requirement begins inside of the lip  
^ 2VT models only

<b>G31 ANSI Certified (Match Light)</b>	<b>Dimensions</b>				<b>BTU Rating</b>
	Width*		Depth	Height	Nat. Gas
	Front	Rear			
G31-18/20 (18" log set)	23"	14"	16"	17"	55k
G31-24/30 (24" log set)	29"	17"	16"	17"	65k
G31-24/30 (30" log set)	32"	17"	16"	17"	65k
G31-33/39 (33" log set)	34"	23"	16"	17"	85k
G31-33/39 (39" log set)	41"	23"	16"	17"	85k

**Table 1**

<b>G31 ANSI Certified (Factory Installed Control)</b>  <b>Manual "A", 17, 02, 2VT Series</b>	<b>Dimensions</b>				<b>BTU Rating</b>			
	Width*		Depth	Height	Nat. Gas		L.P. Gas	
	Front	Rear			High Setting	Low Setting ^	High Setting	Low Setting ^
G31-18/20 (18" log set)	28"	22"	16"	17"	55k	20k	40k	21k
G31-24/30 (24" log set)	34"	25"	16"	17"	65k	21k	50k	22k
G31-24/30 (30" log set)	36"	27"	16"	17"	65k	21k	50k	22k
G31-33/39 (33" log set)	39"	30"	16"	17"	75k/85k**	22k	60k	22k
G31-33/39 (39" log set)	41"	32"	16"	17"	75k/85k**	22k	60k	22k

**Table 2**

\* Add 2" to the Front width & Rear width for factory installed 02 & 2VT series.

^ Low Setting applies to models 2VT series.

\*\*02 models only.

**P45 Burner Used with Spheres or Fire Glass Only**

<b>P45 ANSI Certified (Match Light)</b>	<b>Minimum Fireplace Size</b>				<b>BTU Rating</b>
	Width		Depth	Height	Nat. Gas
	Front	Rear			
P45-18	24"	18"	15"	17"	43k
P45-24	30"	24"	15"	17"	65k
P45-30	36"	30"	15"	17"	84k

**Table 1**

<b>P45 ANSI Certified (Factory Installed Control) Manual "A", 17 Series</b>	<b>Minimum Fireplace Size</b>				<b>BTU Rating</b>	
	Width*		Depth	Height	Nat. Gas	L.P. Gas
	Front	Rear				
P45-18	25"	19"	16"	17"	43k	36k
P45-24	31"	25"	16"	17"	65k	55k
P45-30	37"	31"	16"	17"	84k	70k

**Table 2**



## Vented See Thru Burner Minimum Fireplace Sizes

## Important Information Regarding Dimensions

- Required widths allow for centering of the burner.
- Required rear Width applies at the corresponding Depth. (i.e., The G4-24 match light burner requires a minimum rear width of 23" and minimum depth of 13". If the fireplace is 20" deep, the minimum width at the 13" depth point must be 23".)
- If an ash lip exists, the depth requirement begins inside of the lip (see ASH LIP/RECESS DETAIL image on page 5).
- We assume the use of a standard 1/2" bar grate for all units 30" and smaller. For all 36" and larger units, a heavy-duty 5/8" bar grate is always used. If a heavy-duty grate is used with an 18/20", 24", 30" burner, add 1" to the minimum required depth.

# G45-2 Burner Twining/Radco Listed

Model	BTU Rating	
	Nat. Gas	L.P. Gas
G45-2-16/19	45k	35k
G45-2-18/20	80k	65k
G45-2-24	90k	75k
G45-2-30	90k	75k
[G45-2-36]	130k	100k
[G45-2-42]	150k	120k
[G45-2-48]	170k	130k
[G45-2-60]	190k	140k

**Table 1** - Product BTUs

Model (MATCH-LIT) (NAT. GAS ONLY)	Minimum Fireplace Size		
	Width	Depth	Height
G45-2-16/19 (16" log set)	19"	15"	17"
G45-2-16/19 (19" log set)	22"	15"	17"
G45-2-18/20	25"	17"	17"
G45-2-24	30"	17"	17"
G45-2-30	36"	17"	17"
[G45-2-36]	42"	22"	17"
[G45-2-42]	48"	22"	17"
[G45-2-48]	54"	22"	17"
[G45-2-60]	64"	22"	17"

**Table 2** - Minimum Fireplace Size: Match-lit (burner only)

Model (WITH SAFETY PILOT KIT) (NAT. OR L.P. GAS) ^	Minimum Fireplace Size		
	Width	Depth	Height
G45-2-16/19 (16" log set)	29"	15"	17"
G45-2-16/19 (19" log set)	29"	15"	17"
G45-2-18/20	30"	17"	17"
G45-2-24	34"	17"	17"
G45-2-30	40"	17"	17"
[G45-2-36]	46"	22"	17"
[G45-2-42]	52"	22"	17"
[G45-2-48]	58"	22"	17"
[G45-2-60]	70"	22"	17"

**Table 3** - Minimum Fireplace Size: Burner with safety pitot kit

[ ] Bracketed models indicate non-listed models.

^ For Nat. Gas models, a safety pilot kit is optional. For L.P. models, a kit is required (use the included SPK-26P, or an optional kit) See SAFETY PILOT KITS section on page 7 for more details.

**Note:** Table 3 dimensions apply for all safety pilot kits.

<b>G45-2 ANSI Certified</b> <b>(Factory Installed Pilot)</b> <b>Manual (A), 17, 11, 15, 02 Series</b>	Minimum Fireplace Size			BTU Rating	
	Width*	Depth	Height	Nat. Gas	L.P. Gas
G45-2-16/19	29"	15"	17"	50k	35k
G45-2-18/20	30"	17"	17"	85k	60k
G45-2-24	34"	17"	17"	105k	70k
G45-2-30	40"	17"	17"	110k	90k
G45-2-36	46"	22"	17"	110k	90k

**Table 1**

\* Add 2" to the width for factory installed 02 series